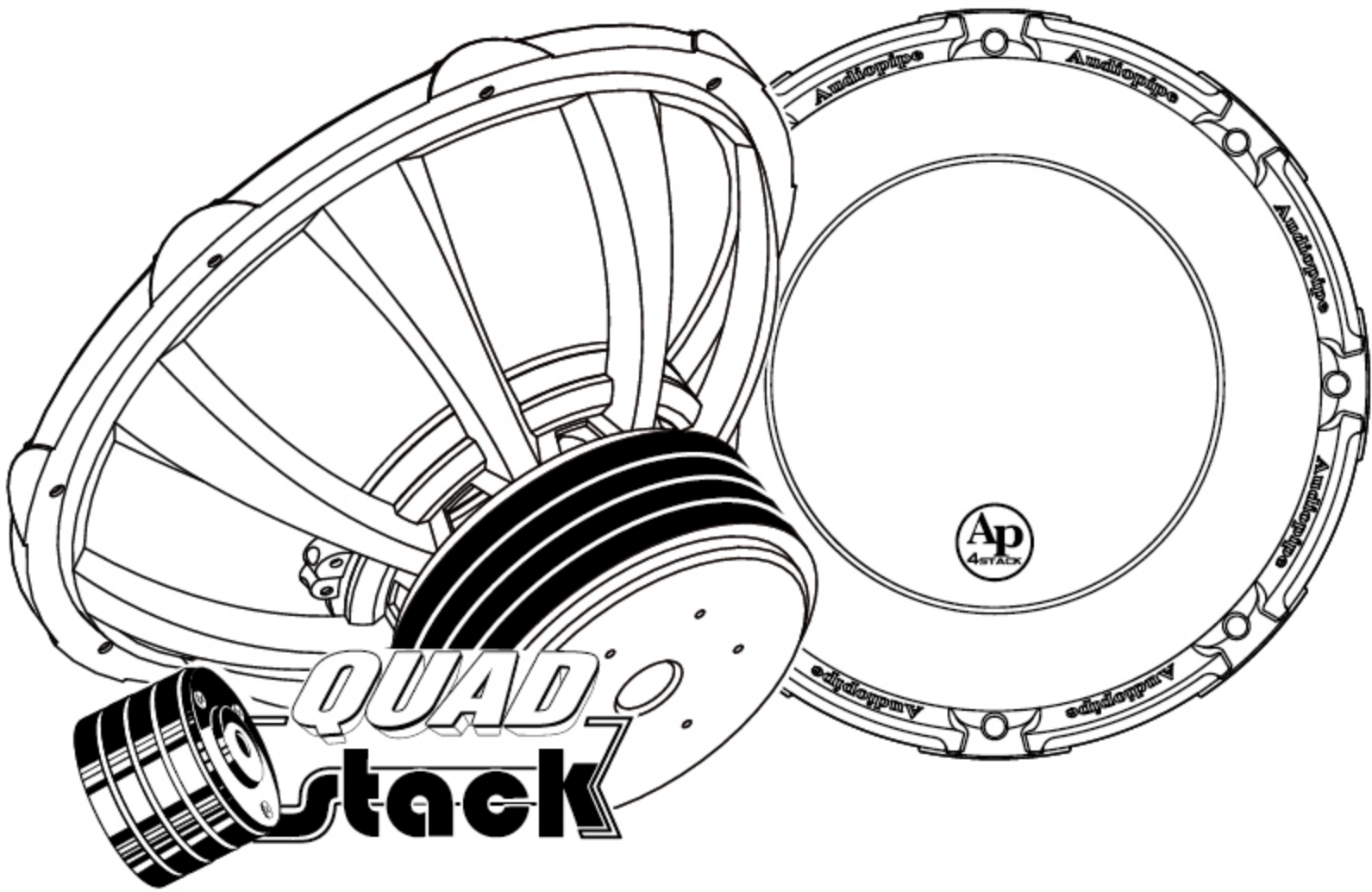




Audiopipe®



User's Manual



Patent No.: US D523,848 S US D565,550 S US D582,893 S

TXX-BDC4-18

TXX-BDC4-18D2



All Audiopipe products are designed, manufactured and tested to perform in harsh environments. From our entry level products to our high end series, Audiopipe is your best choice for competition level performance. We welcome you to Team Audiopipe.

Introduction:

Congratulations on your purchase of an Audiopipe subwoofer. Your Audiopipe subwoofer has been engineered to produce the highest quality sub-bass performance in your vehicle. Audiopipe dealers have the knowledge, skills to build high-quality enclosure that will maximize the performance of your subwoofer. We highly recommend that you have your enclosure built by an Audiopipe authorized dealer. For more dealer information in your area do visit .

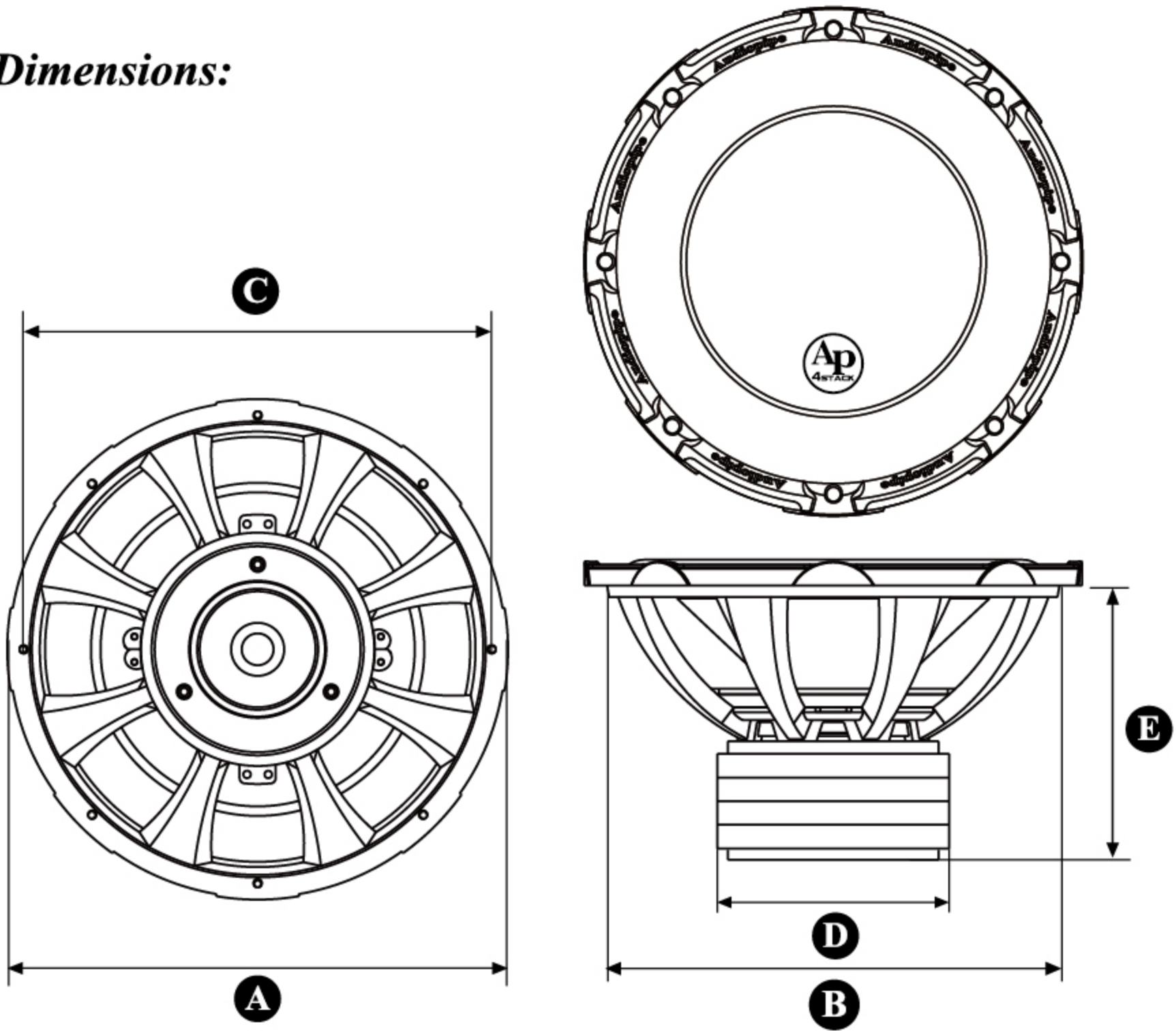
All Audiopipe products are designed, manufactured and tested to perform in the harsh environments. From our entry level products to our high end series, Audiopipe is your best choice for competition level performance.

We welcome you to team Audiopipe.....

Table of Contents:

Dimensions _____	2
Specifications _____	3
Building an Enclosure _____	4
Wiring Diagrams _____	5

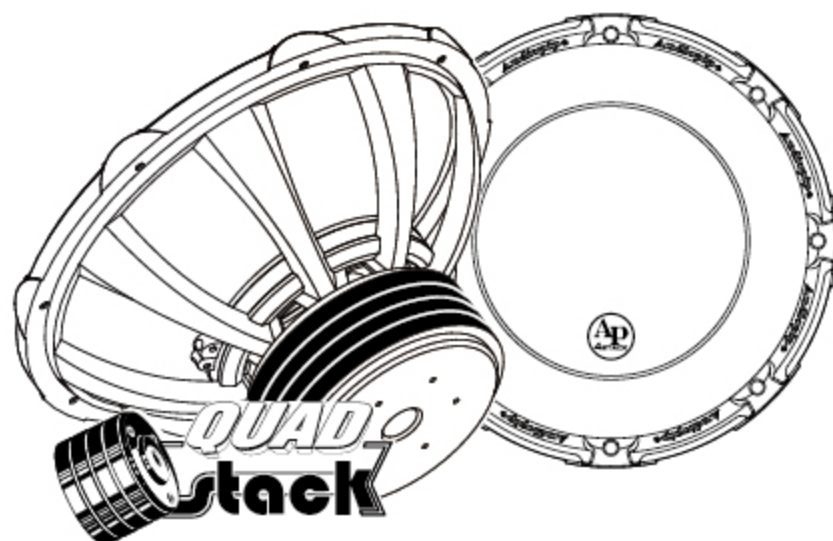
Dimensions:



	TXX-BDC4-18/TXX-BDC4-18D2
Nominal Diameter	Ø457mm 18"
Overall Diameter(A)	Ø475mm 18 11/16"
Mounting Hole Diameter(B)	Ø430mm 16 15/16"
Bolt Hole Circle(C)	Ø442mm 17 3/8"
Magnet Diameter(D)	Ø220mm 8 11/16"
Mounting Depth(E)	245mm 9 5/8"
Driver Displacement	5.5 L 0.2 cu ft
Net Weight	22kg 48.5 lb

Features

- Dual Voice Coil BASV
- Powdered Black Paint Aluminum Basket
- Patent Pipe Multi-Connect Terminal
- Dual Magnet



Specifications:

	TXX-BDC4-18	TXX-BDC4-18D2
Fs (Hz)	28	28
Re (Ohms)	2x3.6	2x1.8
Le (mH)	5.0	5.2
Qts	0.35	0.32
Qes	0.4	0.36
Qms	2.2	2.0
Cms (m/N)	0.26	0.28
Vas (L)	52	52
Mms (g)	1200	1200
Mmd (g)	1170	1170
No (%)	0.3	0.3
SPL (dB-1W/1M)	90	90
BL (T*M)	65	70
Sd (cm ²)	1119	1119
Krm (mOhms)	126	124
Erm	0.7	0.69
Kxm (mH)	127	60
Exm	0.69	0.68
Frequency Response (Hz)	15-800Hz	15-800Hz
Voice Coil Diameter	4"/100mm	4"/100mm
Voice Coil Height	1.8"/46mm	1.8"/46mm
Voice Coil Layers	4	4
Magnetic Gap Height	0.55"/14mm	0.55"/14mm
Linera Excursion, pk-pk(Xmax)	0.62"/16mm	0.62"/16mm
Maximum Excursion, pk-pk	1.97"/50mm	1.97"/50mm
Magnet Weight	340 oz./9.3 kg	340 oz./9.3 kg
Woofer Displacement	6 L/0.21 cubic ft.	6 L/0.21 cubic ft.
Net Weight	48.5 lbs./22 kg	48.5 lbs./22 kg
Power Rating	1700W/3400W	1700W/3400W

Building an enclosure

When building an enclosure, the walls should be as rigid as possible and not flex. Flexing of the enclosure can drastically decrease your subwoofers performance. It is recommended that Enclosures be built using 1" MDF, be glued and secured with nails or screws. Add bracing to each of the larger unsupported panels. Your enclosures construction has a significant bearing on how well your subwoofers perform. When designing your enclosure keep in mind and account for wood thickness, port and woofer displacement.

Sealed: 2.25-5.5 ft³

Ported: 4.25-7.5 ft³

Use 12.5"² of port area per cubic foot of internal volume in the enclosure. This is about ideal for most daily installations. Surface area is the width of the port multiplied by the height of the port.

Example – For a 2.0 ft³ enclosure, 25"² of port surface area is recommended.

With 12.5"² of port area per cubic foot, you can use the following lengths to get one of the desired tuning frequencies.

16" = 40hz

20" = 36hz

25" = 33hz

32" = 30hz

With any of our subwoofers, we recommend that you tune no higher than 38 hz for daily music use.

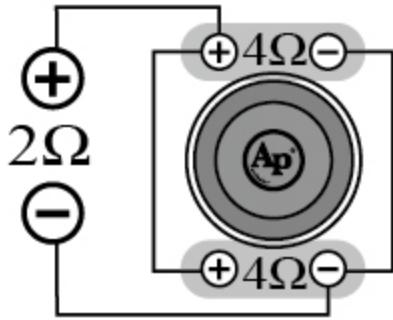
Wiring subwoofers

When designing your system it is important to achieve a good power match between your subwoofer amplifier and the subwoofers capability. RMS power should be considered as a regular method of driving the subwoofer, make use of the power without drastically overdriving the amplifier. Amplifiers cannot read how many subwoofers are in the connection, they normally read the final impedance or otherwise known as ohms. It is important to properly match your amplifiers normal operating impedance with right subwoofer configuration.

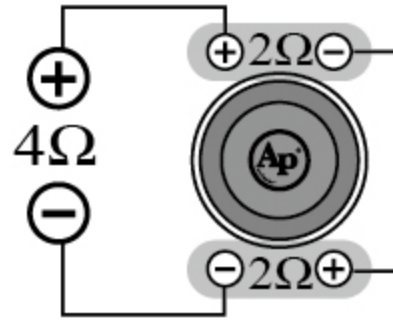
Wiring options

The TXX-BDC4 series of subwoofers are available with dual 4 Ohms voice coils. Both coils must be connected to a source of amplification. A dual 4 Ohms woofer can be configured in parallel to provide a 2 Ohm load. A dual 4 Ohms woofer can be also configured in series to provide a 8 Ohms load. The terminal with the red markings is the positive while the black terminals represent the negative.

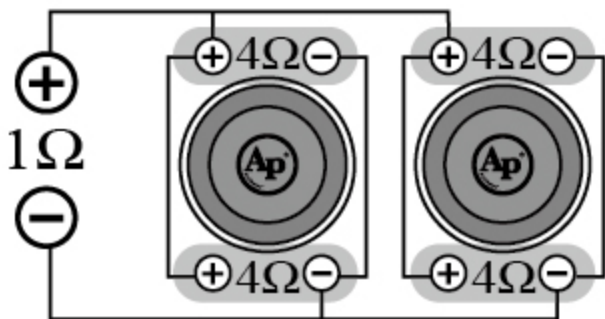
4 ohm DVC Speaker = 2 ohm Load



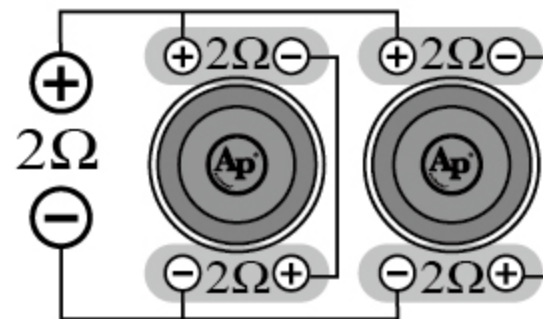
2 ohm DVC Speaker = 4 ohm Load



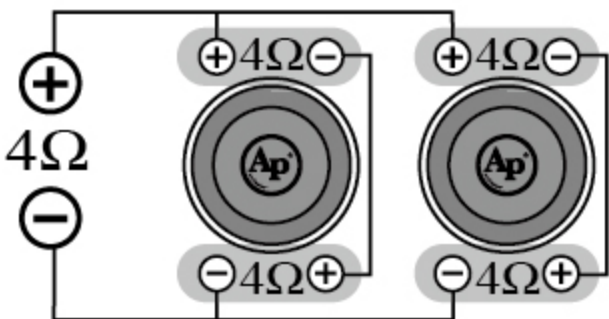
4 ohm DVC Speaker = 1 ohm Load



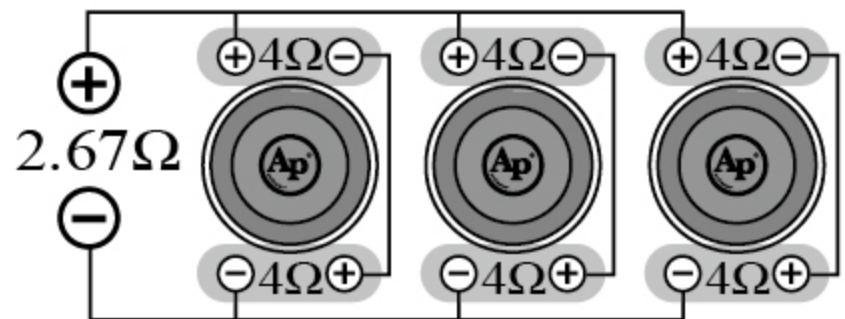
2 ohm DVC Speaker = 2 ohm Load



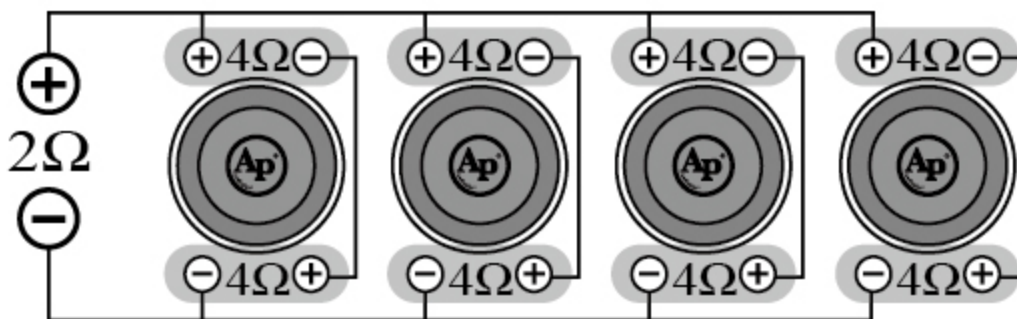
4 ohm DVC Speaker = 4 ohm Load



4 ohm DVC Speaker = 2.67 ohm Load



4 ohm DVC Speaker = 2 ohm Load



2 ohm DVC Speaker = 4 ohm Load

