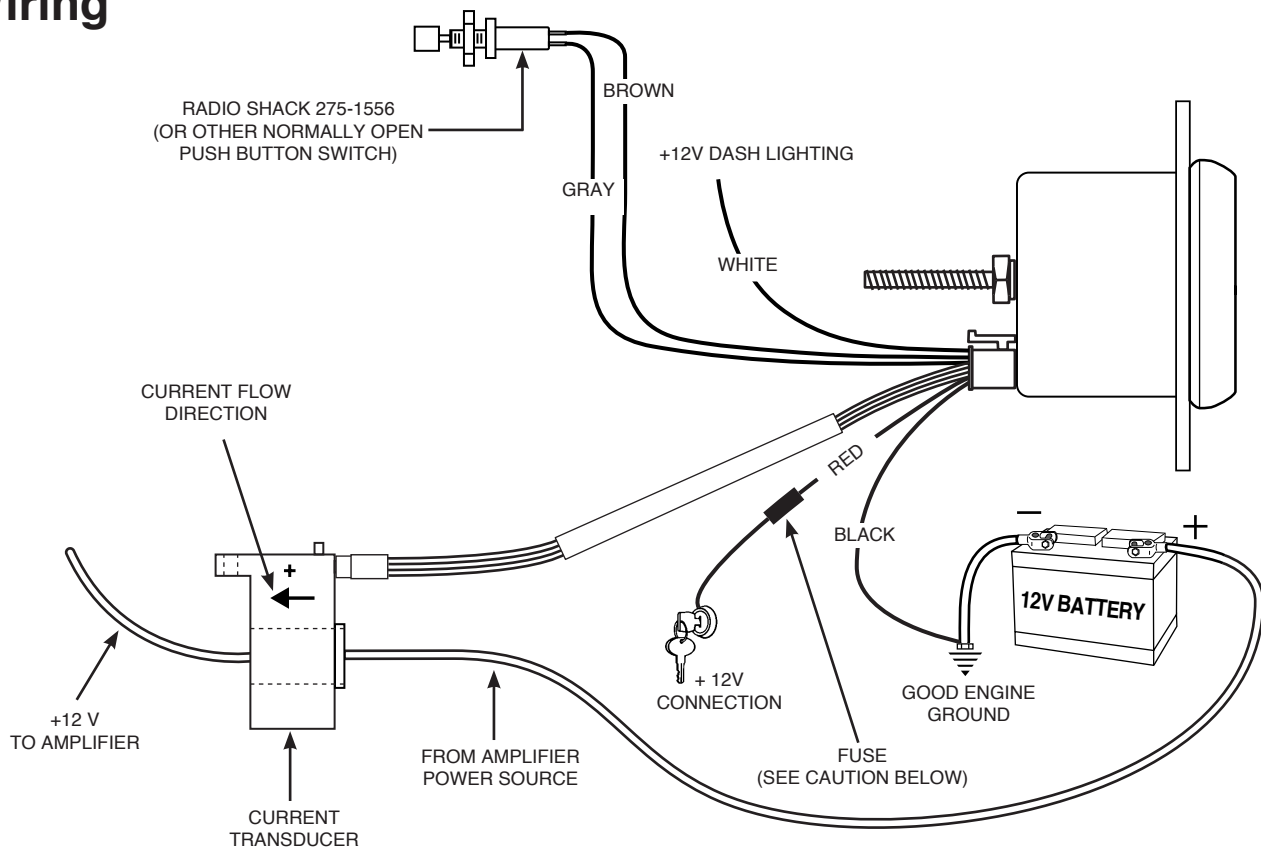


## Wiring



### CAUTION!

As a safety precaution, the +12V terminal of this product should be fused before connecting to the 12V ignition switch. We recommend using a 1 Amp, 3AG fast-acting type cartridge fuse (Littlefuse® # 312 001 or an equivalent).

## Installation

1. Check that you have all parts required for installation, and that the engine is cool.
2. Disconnect the negative (-) battery cable.
3. Gauge mounts in a  $2\frac{1}{16}$ " hole.
4. Securely mount the current transducer to a suitable location.
5. Connect the current transducer to the wire harness.
6. Pass the positive amplifier power lead through the current transducer ring. It is important that the arrow on the current transducer points toward the amplifier.
7. The brown and gray wires are used to set the mode of operation. Connect a Radio Shack 275-1556 or similar normally open push button switch to the brown and gray wires (see illustration above.)
8. Mount the switch in a convenient location.
9. Connect the white wire to dash lighting or switchable 12v light source.
10. Connect one of the black wires to a good ground. (Either black wire, does not matter which one)
11. Connect the red power wire to a switched +12v source.
12. Reconnect the negative (-) battery cable.

## Error Messages

### Out-of-Range

If the sender input goes outside the limits of the gauge "or" will be displayed signifying an out-of-range condition.

---

## Operating Modes

### Hold Mode

To select hold mode, press the momentary switch until “HLd” is displayed. Three seconds after the last button press, “HLd” will disappear, and normal operation will resume, signifying that hold mode has been selected.

When hold mode is selected, amplifier current is measured and displayed 10 times per second. In addition, hold mode provides an automatic peak hold feature. Each time a peak is reached, the peak value is automatically displayed for three seconds.

### Fast Mode

To select fast mode, press the momentary switch until “FSt” is displayed. Three seconds after the last button press, “FSt” will disappear, and normal operation will resume, signifying that fast mode has been selected.

When fast mode is selected, amplifier current is measured and displayed 10 times per second.

### Slow Mode

To select slow mode, press the momentary switch until “SLO” is displayed. Three seconds after the last button press, “SLO” will disappear, and normal operation will resume, signifying that slow mode has been selected.

When slow mode is selected, amplifier current is averaged and displayed once per second.