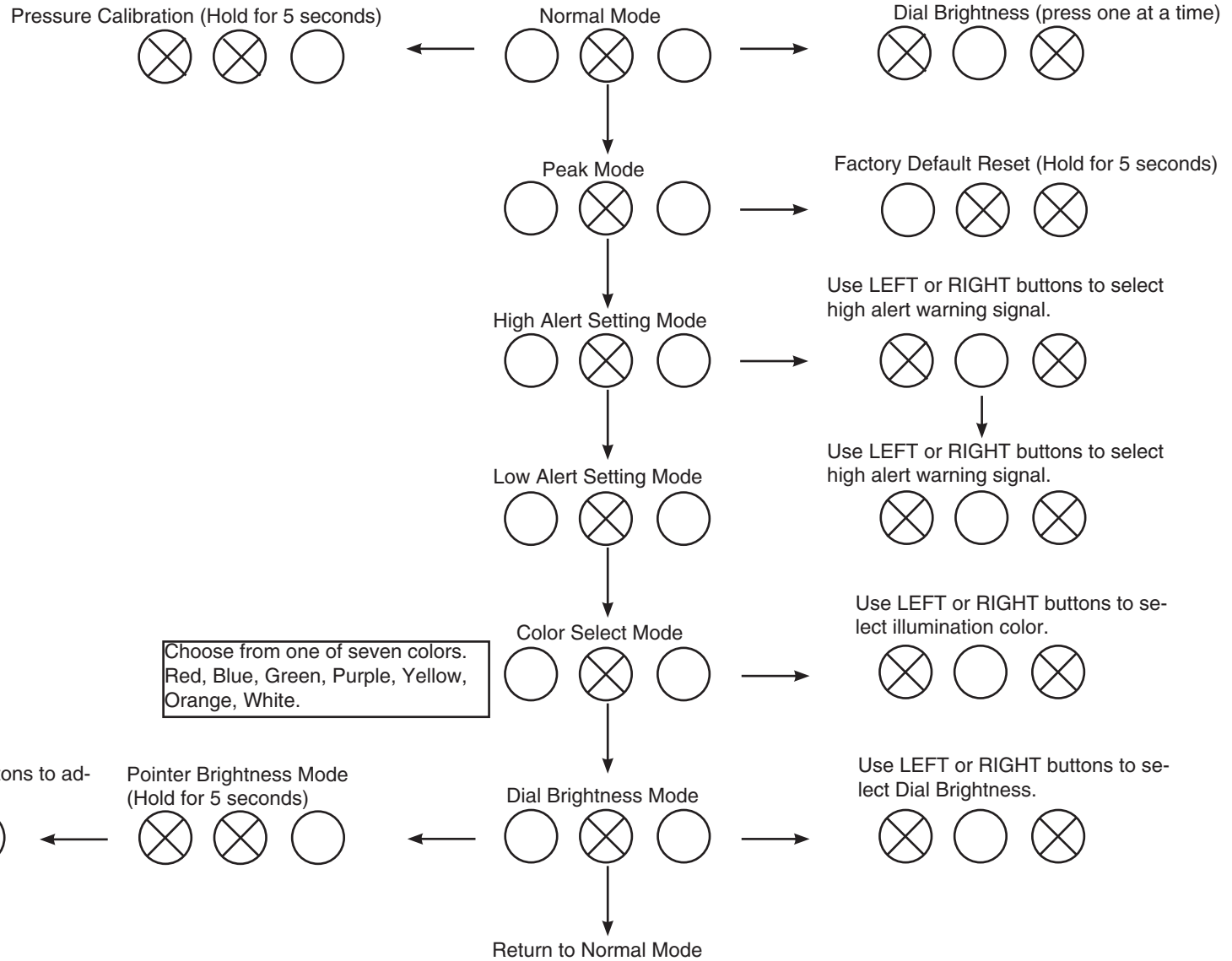


## Oil/Water Pressure Programming Quick Reference Guide



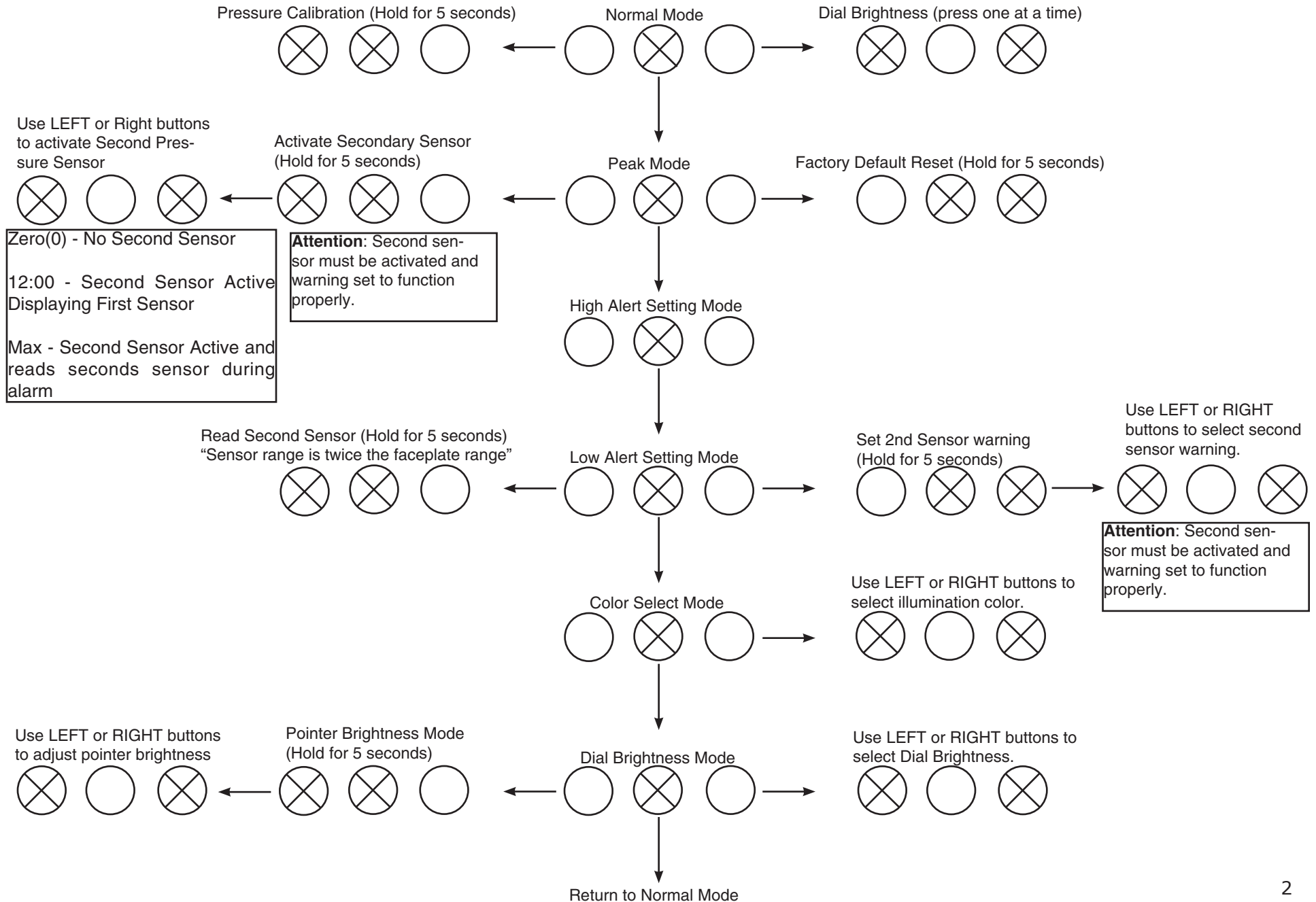
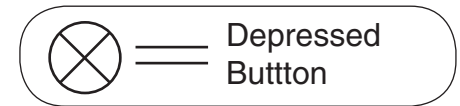
= Save changes and advance to next menu

= Depressed Button

= When pressed together exit menu without changes

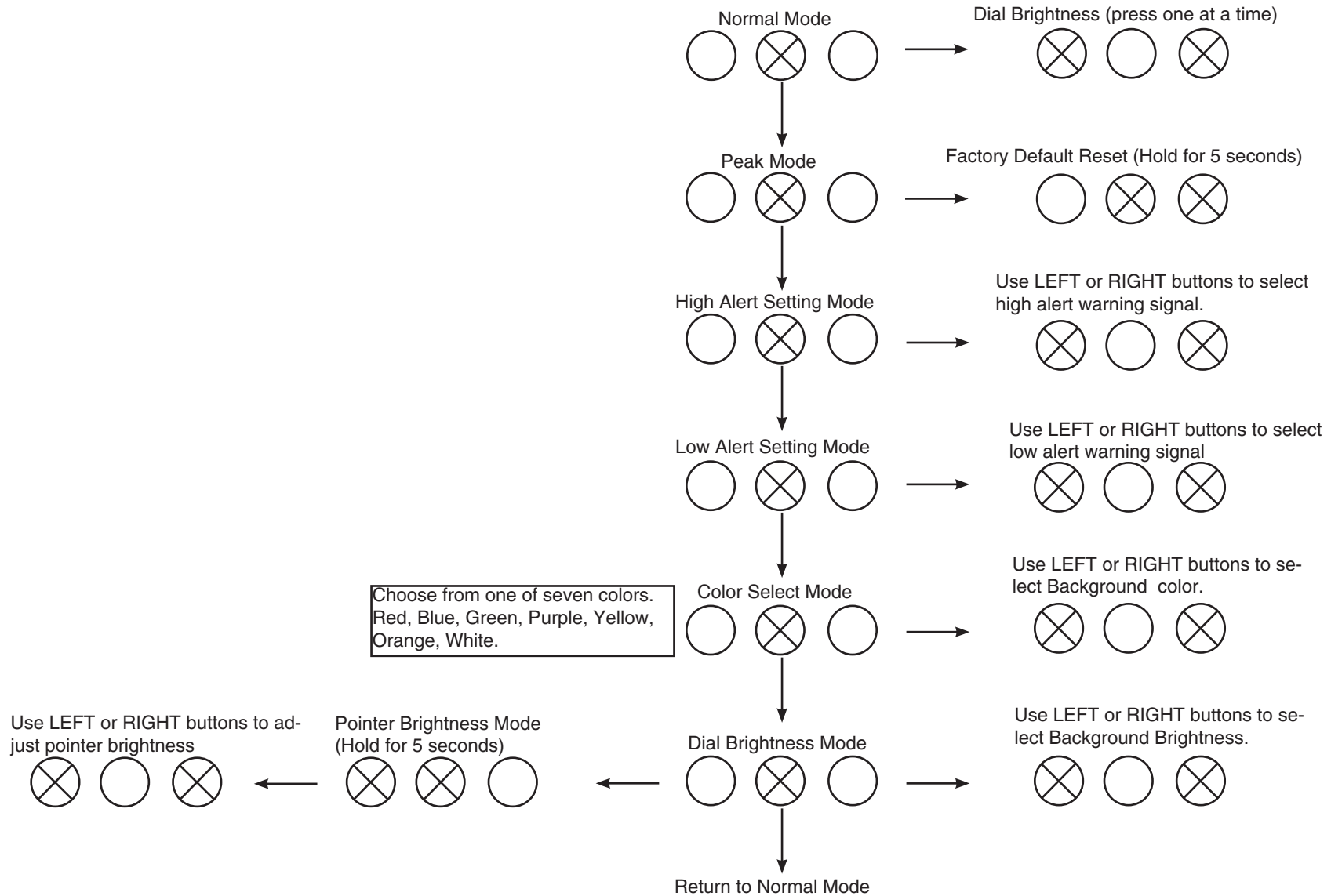


# Dual Input Fuel Pressure Programming Quick Reference Guide





# Temperature Programming Quick Reference Guide



Choose from one of seven colors.  
Red, Blue, Green, Purple, Yellow,  
Orange, White.

