

# INSTALLATION INSTRUCTIONS ELITE DIGITAL TACH

2650-1952-77

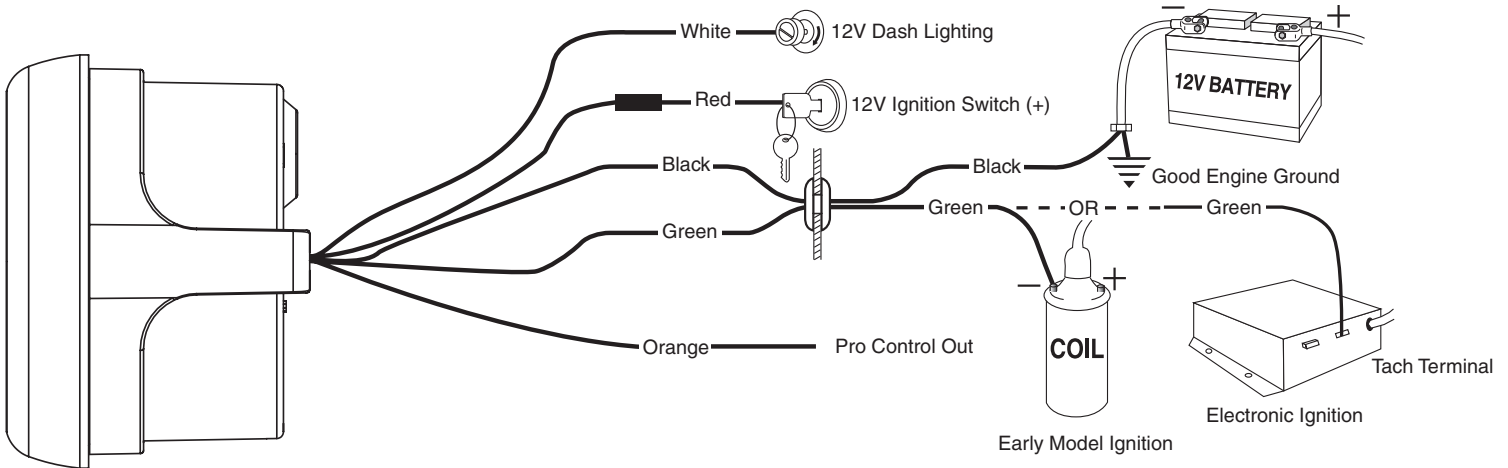
Models 6798-CB, 6798-PH, 6798-SC, 6798-UL



## Innovative E•Z VIEW™ DISPLAY SYSTEM

- Maximizes readability
- Minimizes distracting High Speed digit changes

## Wiring



### WARNING

Warranty will be void if connected to coil when using an aftermarket ignition box such as, but not limited to products from the following manufacturers: MSD, Crane, Jacobs, Mallory, Holley, Etc.. Prior to installation of your tachometer, check with the ignition box manufacturer for recommended tachometer signal location.

### CAUTION!

As a safety precaution, the red wire of this product should be fused before connecting to the 12V ignition switch. We recommend using a 3 AMP automotive type fuse.

## Connections

Red	+12V
Black	Good Engine Ground
White	Dash Lighting
Green	Tach Signal Input
Orange	Pro Control Out

## Menu Options

There are many features provided by your Auto Meter Elite Digital Tachometer. Use the left (-) button to navigate through the following options in order:

- Peak Recall – Digit display will show "P"
- Bar Graph Maximum – Digit display will show "bRR"
- Pro Control Mode – Digit display will show "Prc"
- Pro Control Level – Digit display will show "PrcL"
- Shift Light Mode – Digit display will show "SLM"
- Shift Levels – Digit display will show "SHFL"
- RPM Drop – Digit display will show "drDP"
- Pulse-Per-Rev (cylinder) Set – Digit display will show "PPr"
- Firmware Revision – Digit display will show the firmware revision number.

---

## Power-Up

When power is applied to the gauge, the digit display will light with "8888" and the entire bar graph display will light for one second. Then the gauge will begin normal operation and display real time readings.

---

## Peak Recall

To view RPM peaks, press the left button. The digit display will show "P". Press the right button. The digit display and bar graph display will show the highest RPM measured by the tachometer. After 3 seconds the tachometer will return to normal operation. Pressing the right button while the peak is still being shown will clear the peak. The display will show "---" then the tachometer will return to normal operation.

---

## Bar Graph Maximum

To set the RPM that will cause all the leds on the bar graph display to light, press the left button until the digit display shows "bRr". Press the right button. Use the right (+) and left (-) buttons until the number shown on the display is the desired RPM. Values above 9999 are shown with a decimal. For example, 16,000 RPM would be shown as "16.00" on the display. When the desired number is shown, wait for the display to flash this number rapidly, then "5 c". It will continue to do this until the left button is pressed to save the setting, or the right button is pressed to cancel the setting. If this RPM is exceeded, the bar graph display will flash rapidly.

---

## Pro Control Mode

The Pro Control output wire supplies ground when activated. This can be set to one of three different modes of operation. Alarm (RLr) mode will activate the Pro Control output when the RPM exceeds the Bar Graph maximum setting. On/OFF mode will activate the Pro Control output when the RPM exceeds a separate user setting. Shift mode (SHFL) will activate the Pro Control output when the RPM exceeds the desired shift gear point set by the user. To set the Pro Control Mode, press the left button until the digit display shows "PrC". Then press the right button. Press the left button until the digit display shows "On", "RLr", or "SHFL", depending on the desired mode. When the desired mode is shown, press the right button to save the setting and exit.

---

## Pro Control On Set

See **Pro Control Mode** for setting the tachometer to On/OFF mode. The Pro Control Output wire supplies ground when activated. It is recommended to use a relay switch such as the Dedenbear HPR or equivalent. To set the RPM that will activate the Pro Control Output, press the left button until the digit display shows "PrCL". Press the right button. The digit display will show "On". Press the right button again. Use the right (+) and left (-) buttons until the number shown on the display is the desired RPM. Values above 9999 are shown with a decimal. For example, 16000 RPM would be shown as "16.00" on the display. When the desired number is shown, wait for the display to flash this number rapidly, then "5 c". It will continue to do this until the left button is pressed to save the setting, or the right button is pressed to cancel the setting.

---

## Pro Control Off Set

If it is desired to have the Pro Control Output deactivate at a lower RPM than it activates, press the left button until the digit display shows "PrCL". Press the right button. The digit display will show "On". Press the left button. The digit display will show "OFF". Press the right button again. Use the right (+) and left (-) buttons until the number shown on the display is the desired RPM. When the desired number is shown, wait for the display to flash this number rapidly, then "5 c". It will continue to do this until the left button is pressed to save the setting, or the right button is pressed to cancel the setting.

---

## Shift Light Mode

The tachometer features a gear shift indicator that works through the Pro Control output. The Pro Control output can be used to operate an AutoMeter Quick-Lite Shift Lite such as the 5329, 5330, or 5331. See **Pro Control Mode** for setting the tachometer to Shift mode.

To set Shift Light Mode to single stage:

Press the left button until the digit display shows "10r4". Press the right button. Press the left button until the digit display shows "5r9L". Press the right button. The Pro Control output will now activate when the RPM exceeds the first shift set point, SP1, and deactivate when below it.

To set Shift Light Mode to four stage:

Press the left button until the digit display shows "10r4". Press the right button. Press the left button until the digit display shows "F00r". Press the right button. The Pro Control output will now activate when the RPM exceeds the first shift set point. Shifting into second gear will drop the RPM and advance the tach to the next shift point. See **RPM Drop**. The Pro Control output will now activate when the RPM exceeds the second shift set point. Shifting into third gear will drop the RPM and advance the tach to the fourth and last shift point. The gauge will continue to use this shift point until the sequence is reset by dropping the RPM below the "start" threshold. See **Shift Levels**.

---

## Shift Levels

To set the RPM levels, which will activate the Pro Control output, press the left button until the digit display shows "5HFE". Press the right button. The digit display will show "SP 1". This is the first shift point. Press the right button again. Use the right (+) and left (-) buttons until the number shown on the display is the desired RPM. Values above 9999 are shown with a decimal. For example, 16000 RPM would be shown as "16.00" on the display. When the desired number is shown, wait for the display to flash this number rapidly, then "5 c". It will continue to do this until the left button is pressed to save the setting, or the right button is pressed to cancel the setting. Press the left button. The digit display will show "5P2". This is the second shift point. Press the right button again. Set SP2, SP3, SP4, and "Start" in the same manner as SP1. After a 4-Stage shift sequence has completed, going below the "Start" threshold resets the tach for another 4-Stage shift sequence. After "Start" is set, press the left button to exit. Note: If a set point has been changed, all higher shift set points will also be changed to the same value. All lower shift set points will be left unchanged. For example, if set point #2 is changed to 6,000 RPM, set points #3 and #4 will also be changed to 6,000 RPM. Set point #1 will not be changed. The "Start" threshold is not affected.

---

## RPM Drop

To set the amount of RPM decrease which will advance the 4-Stage shift sequence, press the left button until the digit display shows "dr0P". Press the right button. Use the right (+) and left (-) buttons until the number shown on the display is the desired RPM. When the desired number is shown, wait for the display to flash this number rapidly, then "5 c". It will continue to do this until the left button is pressed to save the setting, or the right button is pressed to cancel the setting.

---

## Pulse-Per-Rev (cylinder) Set

The tachometer is configured at the factory for 4 PPR (8 CYL). To change the PPR, press the left button until the digit display shows "PPr". Press the right button. Press the left button until the number shown on the display is the desired PPR, then press the right button. See the table below to find the display reading that corresponds to the desired PPR.

ENGINE	Most 1 cyl.	Most 2 cyl.	Most 4 cyl.	Most 6 cyl.	Most 8 cyl.	Most 10 cyl.	Most 12 cyl.
PPR	0.5	1	2	3	4	5	6