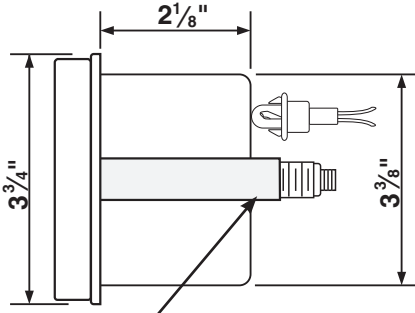
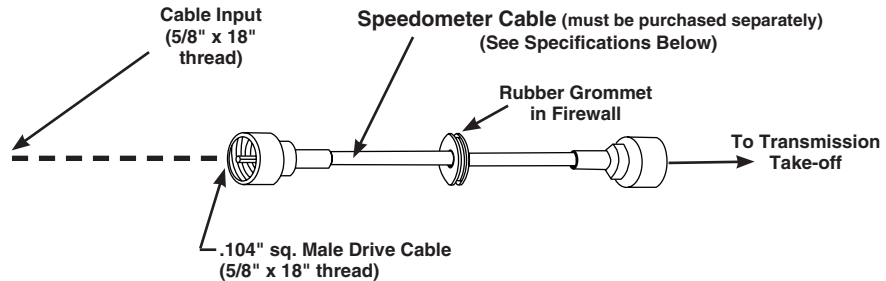


## Mounting

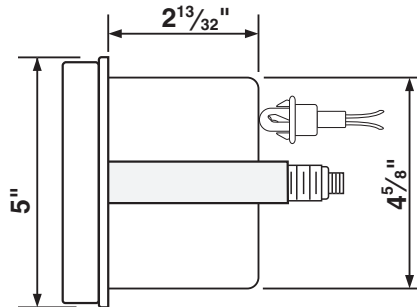
MODELS 2490, 2492, 2494, 2690, 2692, 2694, 3992, 4492,  
4493, 5152, 5153, 5692, 5693, 5892, 5893



Brackets, nuts and lock washers for securing in dash (Included in all kits)



MODELS 3994, 3995, 4495, 4496, 5154,  
5156, 5695, 5696, 5895, 5896



## Installation

- Cut a hole in the dashboard for the location of the speedometer. Check above for diameter dimensions for your speedometer.
- To connect the speedometer cable:
  - If existing speedo cable in vehicle is being used, connect it to the cable input on back of speedo. Make sure cable fits properly into .104" sq. female cable input before tightening.
  - If a new speedo cable is required, purchase a "custom made" cable from an auto parts store or speedometer specialty shop. The cable input on back of speedometer accepts only .104" sq. male drive. Make sure connections fit properly before tightening.
- Drill a 1<sup>1</sup>/<sub>16</sub>" diameter hole in engine firewall where cable will be routed. Route cable from speedo through dash, through firewall and connect to transmission take-off. Use the rubber grommet provided (slit) to support the cable in the firewall. Make sure all connections fit properly before tightening.
- Secure the speedometer in the dashboard by using the brackets, nuts and lock washers provided.
- For lighting connect the light wire to dash lighting circuit (or +12 volts). If speedometer is mounted in a non-metal dashboard, a separate wire must be connected between one of the speedometer case mounting studs and an engine ground (-neg.)

**Specifications:** This speedometer is set up for a 1:1 drive ratio (60 MPH at 1,000 RPM input to speedometer head) and a 5/8" x 18 threaded cable input that requires a .104" sq. male drive. If vehicle tire size and/or rear-end differential are not stock (original), a different driven gear in the transmission may be required for speedo accuracy. If a change in the driven gear is made, you very likely will have to change the drive gear in the transmission to maintain the proper gear tooth engagement. Another approach is to use a "correcting ratio" drive joint to adjust the speedometer input to 60 MPH at 1,000 RPM. If one is needed, the appropriate ratio can be easily determined by comparing your speedometer reading against another car having an accurate speedometer and dividing the speeds. (Accurate speed ÷ Your speed = Ratio needed) Auto parts stores or speedometer specialty shops carry "correcting ratio" drive joints or contact Auto Meter Products.

**NOTE:** The clear lens on your speedometer may be made of acrylic. To prevent scratching use a mild, soapy solution and soft cloth to clean. Wipe lightly.