

Installation Instructions

Ventshade® Deflector

Important Safety Information



- CAUTION - Before driving, ensure that the vent visor is properly secured to vehicle.
- Do not use automatic “brush-style” car washes.
- Do not use cleaning solvents of any kind.
- Periodically check all components for tightness.

Contents

NOTE: Actual product may vary from illustration.



Front Driver
Side Visor



Front Passenger
Side Visor



Alcohol Pad

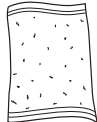


Screws x4

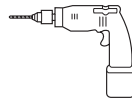
Tools Required



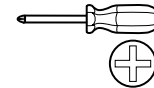
Car Wash Supplies



Clean Towel



Drill



Phillips Screwdriver

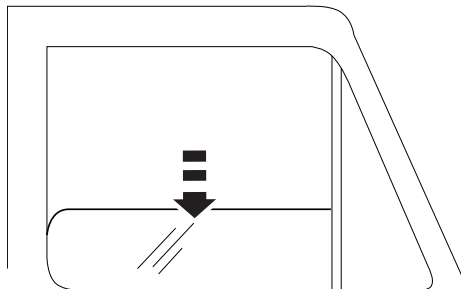
Preparation Before Painting / Installation

- A trial fit is recommended to ensure proper positioning and fit.
- Check fit of parts before painting as we will not accept the return of modified or painted parts.
- Wash and dry your vehicle to remove any debris and/or dirt from the installation area.

Installation Steps

NOTE: Actual application may vary slightly from illustrations.

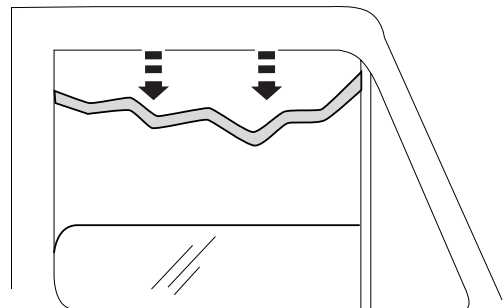
Lower window.



1

Alcohol Pad

Carefully pull the rubber window channel down from the door frame. Clean the inside of the channel with an alcohol pad.



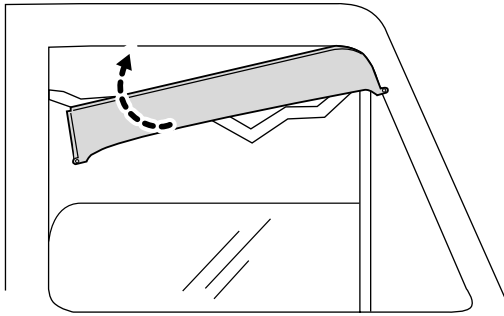
2

NOTE: Ventshades mount on the **INSIDE** of the door frame.

Installation Steps

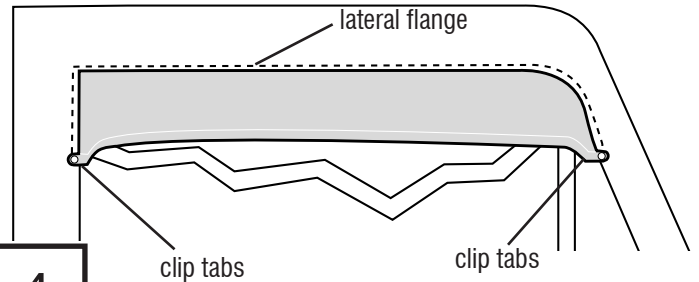
NOTE: Actual application may vary slightly from illustrations.

Insert lateral flange of visor between door weatherstripping and door frame, starting at the curve first.

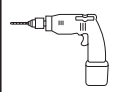


3

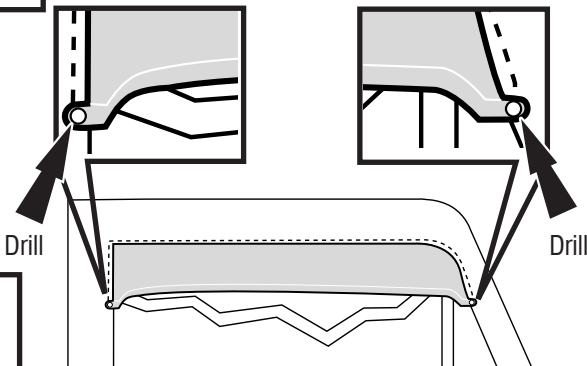
Place end flange between door weatherstripping and division bar as shown. Clip tabs should be on outside of door frame as shown.



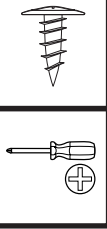
4



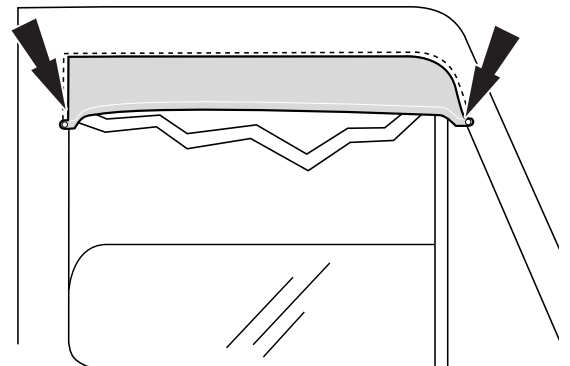
Holding visor in place, drill (2) 5/64" holes in door frame, using holes in clips as guides.



5

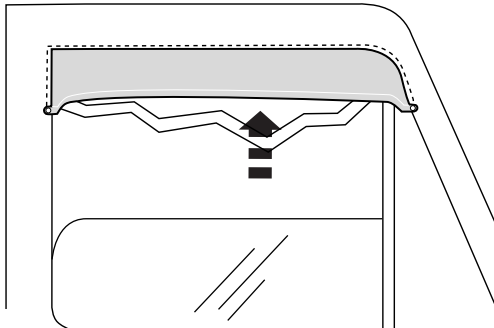


Install screw provided. **DO NOT** substitute screw.



6

Reinstall rubber window channel. Raise window carefully to determine any interference. Clean and polish the visor using a soft cloth and metal polish.



7

Repeat **Steps 1-7** for opposite side

Care and Cleaning

- Wash only with mild soap & dry with a clean cloth.

Congratulations!

You have purchased one of the many quality Auto Ventshade™ branded products offered by Lund International, Inc. We take the utmost pride in our products and want you to enjoy years of satisfaction from your investment. We have made every effort to ensure that your product is top quality in terms of fit, durability, finish and ease of installation.



When it comes to quality rain guards and wind deflectors, AVS is the brand you can depend on.