

Installation Instructions

In-Channel Wind Deflectors

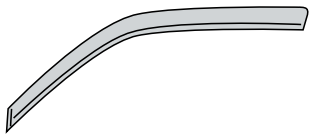
Important Safety Information



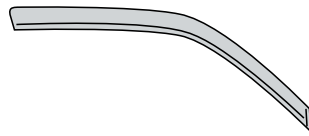
- CAUTION - Before driving, ensure that the vent visors are properly secured to vehicle.
- Do not use automatic "brush-style" car washes.
- Do not use cleaning solvents of any kind.
- Periodically check all components for tightness.

Contents - 2 Piece Set

NOTE: Actual product may vary from illustration.



Front Driver
Side Visor



Front Passenger
Side Visor

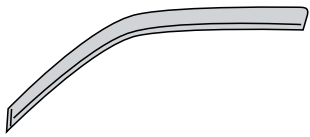


Alcohol
Pad x2

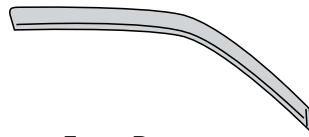


Scotch Brite Pad

Contents - 4 Piece Set



Front Driver
Side Visor



Front Passenger
Side Visor



Rear Driver
Side Visor



Rear Passenger
Side Visor



Alcohol Pad x4



Scotch Brite Pad

Tools Required



Car Wash Supplies



Clean Towel

Preparation Before Painting / Installation

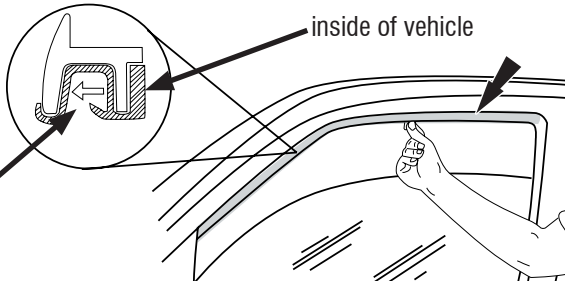
- A trial fit is recommended to ensure proper positioning and fit.
- Check fit of parts before painting as we will not accept the return of modified or painted parts.
- Wash your vehicle to remove any debris and/or dirt.
- Dry with a clean towel.

Installation Steps

NOTE: Actual application may vary slightly from illustrations.



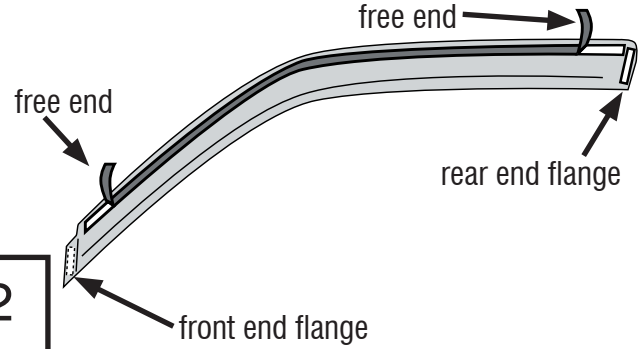
Roll down window. Buff the inside felt surface with scotch brite pad. Then clean with alcohol pad.



1

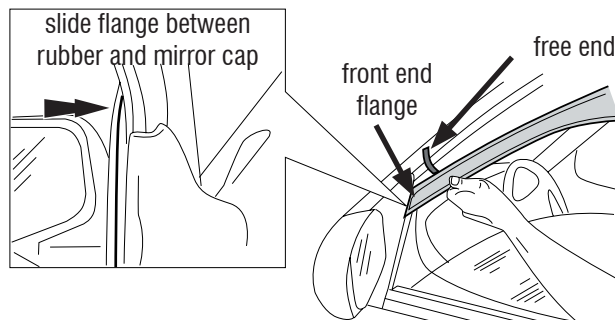
NOTE: visors mount on the **inside** of the window channel.

Remove the tape from the front and rear flanges. Peel back 2" (5cm) of tape liner from each end of top flange.



2

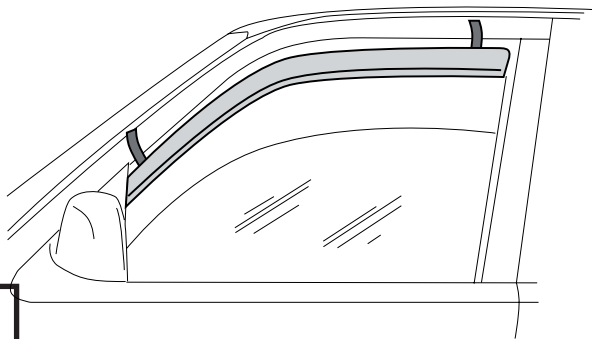
Slide the front end flange of the visor into position **outside** the window channel between the rubber trim and mirror cap. Then rotate visor up and slide top and rear flanges **inside** the window channel.



3

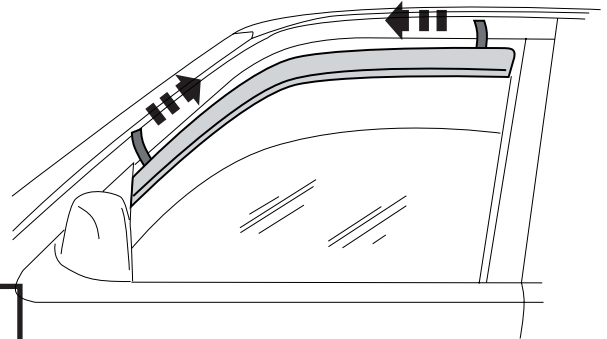
NOTE: Proper placement is important to prevent window from breaking flange during operation.

Press the exposed area of tape against the surface and verify position.



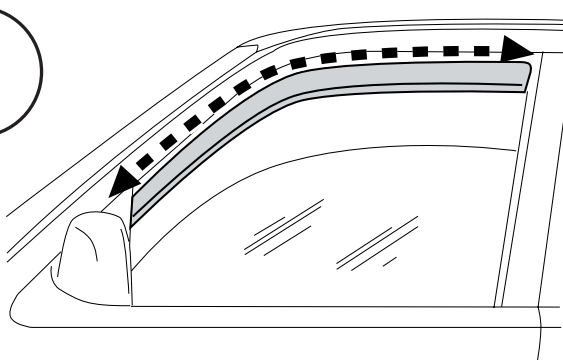
4

With the visor in its final position, remove the remainder of the tape liner by pulling on free ends.



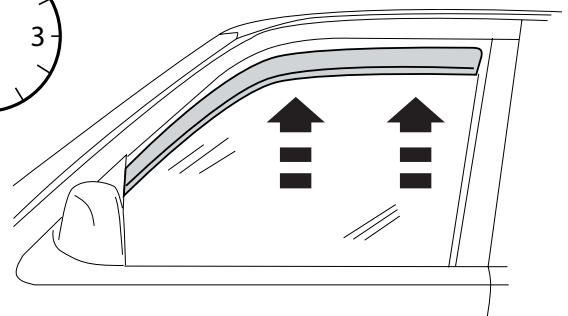
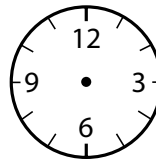
5

Apply pressure along the inside of window channel and flange edges to secure in place.



6

Roll up window and leave window up for 24 hours to ensure proper adhesion.

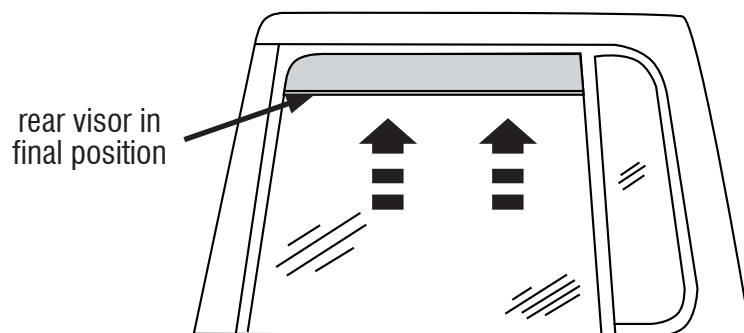


7

4 Piece Set

NOTE: Actual application may vary slightly from illustrations.

The drivers side rear visor attaches to the felt surface following the same procedure.



8

Repeat **Steps 1-8** for passenger side.

Care and Cleaning

- Wash only with mild soap & dry with a clean cloth.