

# Squadron®-R PRO



## Baja Designs Features:

- **Limited Lifetime Warranty** - Complete Purchase Protection
- **uService®** - Replaceable Lenses And Optics
- **ClearView®** - All The Light, Right Where You Need It
- **MoistureBlock™** - Waterproof, Rain Proof, Submersible
- **CopperDrive®** - Only LED Driven At 100%
- **5000K Daylight** - Less Driver Fatigue, Natural Color

## Specifications:

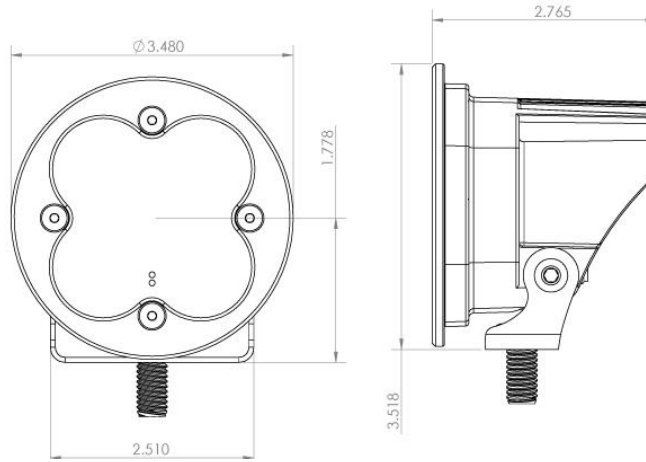
- **Lumens:** 4,900 Utilizing 4 Cree LEDs
- **Candela:** 76,194 (CD)
- **Weight:** 12 ounces
- **Wattage/Amps:** 40W / 3.33A
- **Input Voltage:** 9V-32V
- **Dimensions:** 3.5" x 2.77" x 3.6"
- **LED Life Expectancy:** 49,930 Hours
- **Front Lens:** Hard Coated Polycarbonate
- **Housing:** Hard Anodize & Powder Coat
- **Bezel:** Hard Anodize
- **Hardware & Bracket Material:** Stainless Steel
- **Built-In Overvoltage Protection**



## Standards of Compliance:

- **MIL-STD-810G Certified** - (Low Temperature Test, High Temperature, Temperature & Humidity, Thermal Shock Cycling, Dust, Random Vibration, Mechanical Shock, Low Pressure, & Drip Box Water)
- **IP69k Certified** - (Submersible to 9ft)
- **IK10 Compliant** - (Mechanical Impact Testing)
- **Salt Spray Certified**

# Squadron<sup>®</sup>-R PRO



Part Number	Description	Raw Lumens Output	Watts Input	L inches	W inches	H inches	Weight (oz)
<b>Spot</b>							
59-0001	Squadron R Pro, LED Light - Spot	4,900	40	3.5	2.77	3.5	12
59-1001	Squadron R Pro, Flush Mount LED Light – Spot	4,900	40	3.5	2.77	3.5	12
59-0011	Squadron R Pro, LED Light - Amber Spot	4,900	40	3.5	2.77	3.5	12
<b>Driving Combo</b>		4,900	40				
59-0003	Squadron R Pro, LED Light – Driving Combo	4,900	40	3.5	2.77	3.5	12
59-0013	Squadron R Pro, LED Light – Amber Driving Combo	4,900	40	3.5	2.77	3.5	12
		4,900	40	3.5	2.77	3.5	12
<b>Flood</b>		4,900	40				
59-0006	Squadron R Pro, LED Light, Flood	4,900	40	3.5	2.77	3.5	12
59-0016	Squadron R Pro, LED Light - Amber Flood	4,900	40	3.5	2.77	3.5	12
<b>Wide Cornering</b>		4,900	40				
59-0005	Squadron R Pro, LED Light - Wide Cornering	4,900	40	3.5	2.77	3.5	12
4,300	42	3.5	2.77	3.5	12		
<b>Marine/White</b>							
For Marine white use part # - WT							
Example: 59-0001-WT							