

**banks**

with Installation Instructions  
**Owner's Manual**

**Dual Gauge Pod  
Install Manual**

**Universal Fitment**

THIS MANUAL IS FOR USE WITH PART NUMBER 63344

**banks**

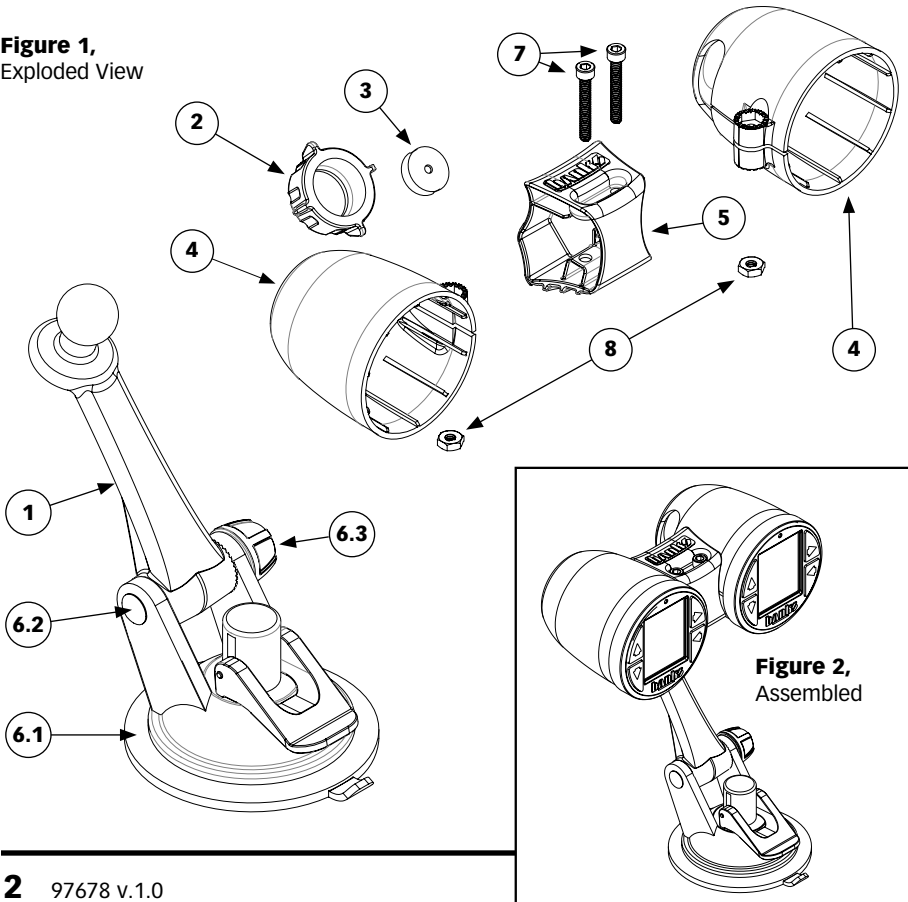
**PN 97678 V.1.0**

# Section 1

## General Assembly: 63344

Item	Description	Part#	Qty
1	Mounting Arm, 17mm Ball	63344-3	1
2	Nut, Thumb, M24x2, Plastic	63344-4	1
3	Friction Pad	63344-5	1
4	Housing, 52mm Gauge Pod	63341-1	2
5	Dual Gauge Pod Connector	63344-6	1
6	Mount, Sticky Base, With Banks Lever	63341-6	1
6.1	Suction Cup Base	—	1
6.2	Bolt, Carriage, M4x0.7 X 48mm, Black	—	1
6.3	Nut, Thumb, M4x0.7	—	1
7	Screw, Socket Head Cap, 8-32 X 1-1/8 Zinc	91927	2

**Figure 1,**  
Exploded View



**Figure 2,**  
Assembled

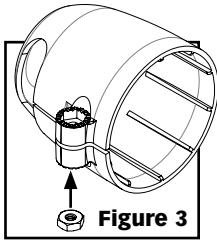
**1.** Before starting work, familiarize yourself with the installation procedure by reading all of the instructions.

**2.** The exploded views (See **Figure 1 & Figure 2**) provide only general guidance. Refer to each step and section diagram in this manual for proper instruction.

## 1.0 ASSEMBLY

**1.** Insert the Nut into the bottom of the Gauge Pod. See **Figure 3**.

**2.** Slide the Gauge Pod into the Dual Gauge Pod Connector, and line up the holes from the top. Now, insert the bolts from the top and tighten down. See **Figure 4**.

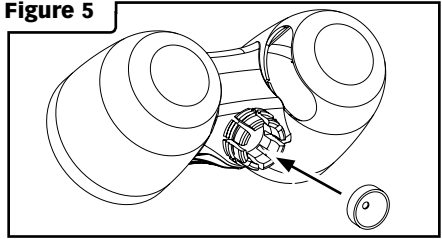


**Figure 4**

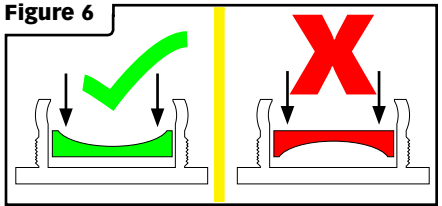


**3.** Insert the rubber friction pad into the back of the Dual Gauge Pod Connector. See **Figure 5** Make sure the orientation of the friction pad is correct. See **Figure 6**.

**Figure 5**



**Figure 6**



**4.** Place the nut on the head of the Mount Arm, then push the Dual Gauge Pod Connector and the Mount Arm together. After, tighten the nut. See **Figure 7**.

**Figure 7**

