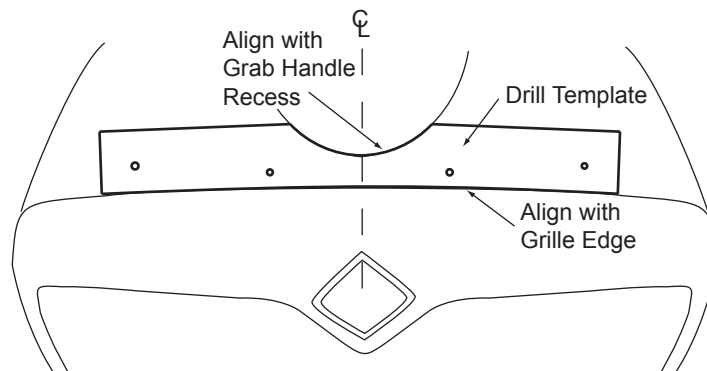


Aeroshield Installation Instructions  
For 3598789P93  
2007+ International ProStar Series

#B91100

1. Trim Drill Template, cutting out perimeter.(If needed)
  2. Place Drill Template on hood, aligning the perimeter with the Grille Edge and Grab Handle Recess as shown. Tape the template down so it does not move when marking the centers of the 4 holes.
  3. Use a center punch to mark the center of the 4 holes marked on the template. Remove template and drill each hole using a 5/16" drill bit.
- NOTE: When drilling holes through hood, make sure area below hood is clear.



4. Place the shield on the hood, so that the studs drop into the drilled holes. Install the shield to the hood using the supplied 6mm nuts, lock washers, and fender washers as shown. Finger tighten only. (See FIG C.)
  5. Align the side of the shield so that it matches FIG D. Push down on the shield, near the outer edge of the shield. Using the hole in the shield as a guide mark the hood using a marker or center punch. Move the end of the shield out of the way to prevent oversizing the shield end holes while drilling.  
Drill a 1/4" diameter hole through the hood. Repeat for other side.
- NOTE: When drilling holes through hood, make sure area below hood is clear.
6. Attach the sides of the shield by sliding the 6mm bolts through the holes in the shield and hood. Install a 6mm nut, lock washer, and fender washer as shown to secure each side. Tighten the 6mm nuts and bolts with black bolt covers. (See FIG C.)
  7. Complete installation by tightening the 6mm nuts that were hand tightened in Step 4.

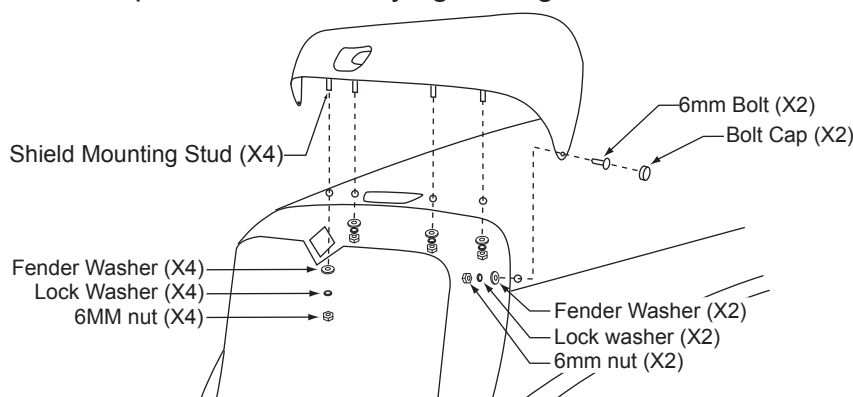


FIG C

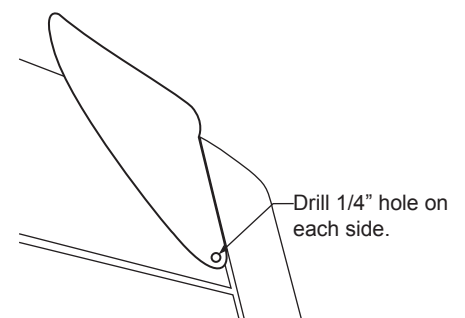


FIG D

Cleaning: Do not use solvents of any kind. Never wipe shield when dry. Use plenty of soap and water. Use a clear non-cleaning wax to remove light scratches in shield.

Belmor offers other fine products including:  
**Winterfronts - [Bugscreens](#) - Floor Mats - Rock Guards**  
Ask your dealer for specific applications