



# Installation Instructions Trek Top NX Plus 4-Door

Vehicle Application:  
Jeep® Wrangler Unlimited 2007-2017  
Part Number 56853

## Installation Tips

Before you begin installing your new Trek Top NX Plus, please read all the instructions thoroughly.









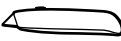

**WARNING** Do not rely in any way on the components of this product to protect against injury or death in the event of an accident. Never operate the vehicle in excess of manufacturer's specifications.

Read and follow, precisely, all installation instructions provided when installing this product. Failure to do so may result in a poor fit and could place occupants of the vehicle in a potentially dangerous situation.



## WEAR SEAT BELTS AT ALL TIMES

**CAUTION** Safety glasses should be worn at all times when installing this product.

Tools				Installation Time	
 #2 Phillips Screwdriver	 Vise-Grips	 Ratchet	 Sockets: 3/8" 8mm, 13mm	 4 hours	<b>Skill Level</b>
 Safety Glasses	 Adjustable Wrench	 3mm Allen Wrench	 Utility Knife		
				 <b>3 - Moderately Difficult</b>	

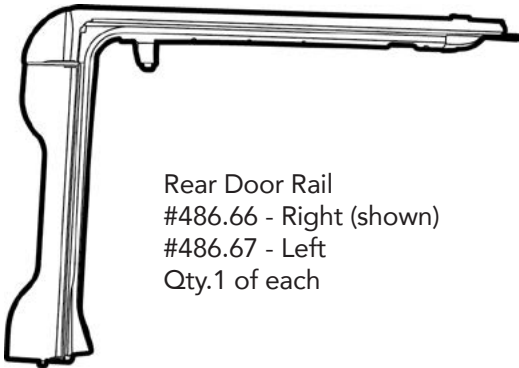
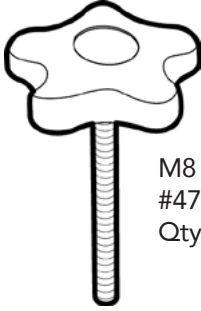
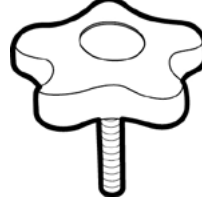
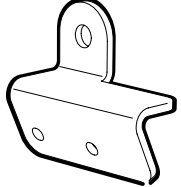
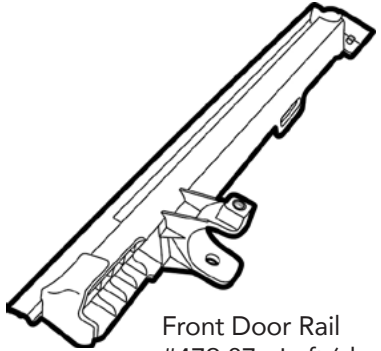
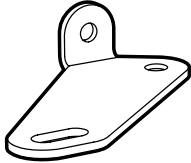
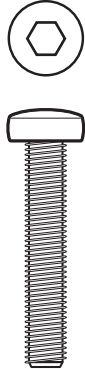
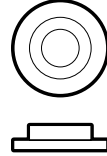
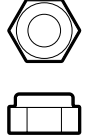
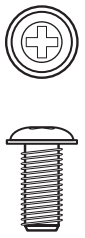


# Installation Instructions Trek Top NX Plus 4-Door

Vehicle Application:  
Jeep® Wrangler Unlimited 2007-2017  
Part Number 56853

## Parts List

- Required parts for installation

Sections 1 & 2		Rear Door Rails, Knobs, Sunrider Pivot Bracket			
 <p>Rear Door Rail #486.66 - Right (shown) #486.67 - Left Qty.1 of each</p>	 <p>M8 x 75mm Knob #478.90 Qty.4</p>	 <p>M8 x 30mm Knob #480.22 Qty.2</p>	 <p>Sunrider Pivot Bracket #544.18 - Right (shown) #544.19 - Left Qty. 1 per side</p>		
Sections 2 & 3		Front Door Rails, #2 Bow Pivot Bracket			
 <p>Front Door Rail #479.87 - Left (shown) #479.86 - Right Qty. 1 of each</p>	 <p>#2 Bow Pivot Bracket #541.88 - Right (shown) #541.87 - Left Qty. 1 per side</p>	 <p>M5 x 35mm Screw Part #514.62 Qty. 2t</p>	 <p>Plastic Bushing Part #473.40 Qty. 4</p>	 <p>M5 Nylon Lock Nut Part #526.76 Qty. 2</p>	 <p>#10-24 x 3/8" Machine Screw Part #195.92 Qty. 4</p>

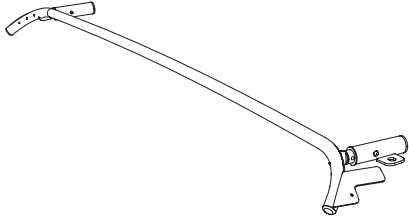

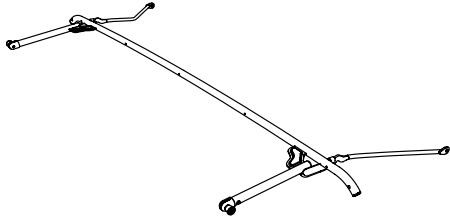

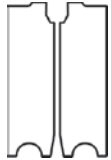



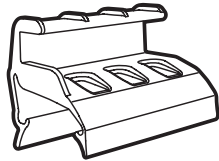
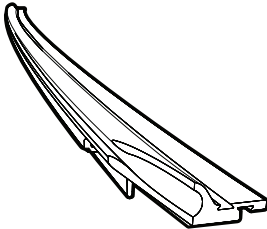
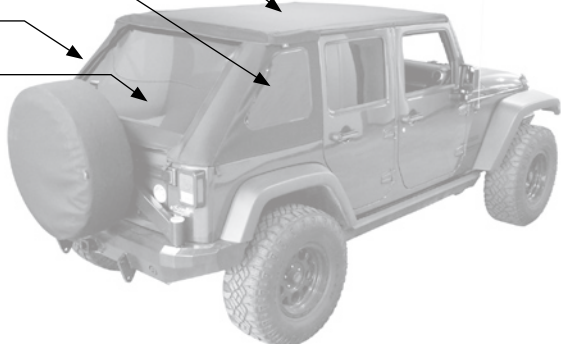
# Installation Instructions Trek Top NX Plus 4-Door

Vehicle Application:  
Jeep® Wrangler Unlimited 2007-2017  
Part Number 56853

## Parts List

- Required parts for installation

Sections 3 to 8		#3 Bow, Rear Top Arch, #2 Bow, Foam Seals		
 <p>#3 Bow Assembly #542.40 Qty. 1</p>	 <p>Rear Top Arch #483.27 Qty. 1</p>	 <p>#2 Bow Assembly #541.18 Qty. 1</p>	 <p>Foam Tape Strips #417.43 Qty. 2</p>	 <p>Foam Seals #457.76 - Right #457.77 - Left Qty. 1 per side</p>

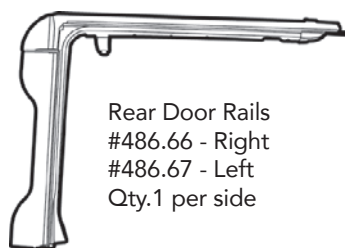
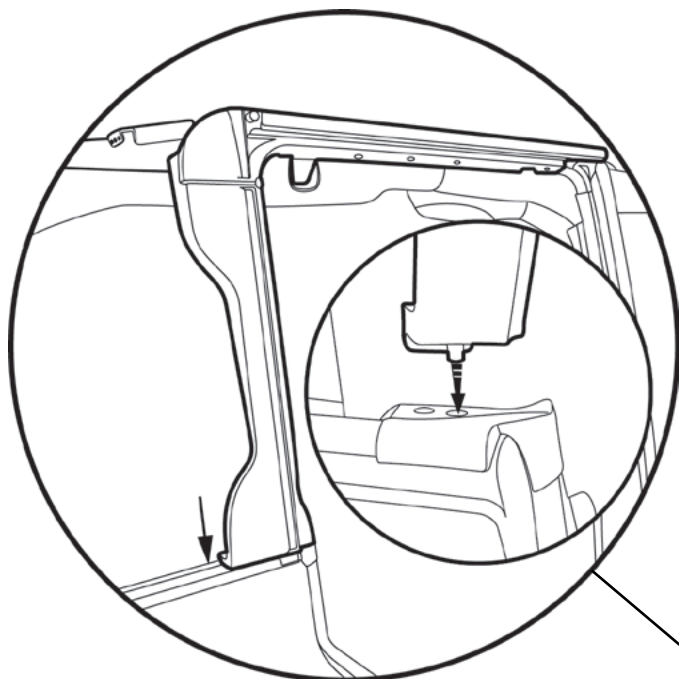
Sections 9 to 16		Loop Strips, Tailgate Bar Mounts & Tailgate Bar, Windows	
 <p>Adhesive Fabric Loop Strips Part #546.15 Qty. 2</p>	 <p>Tailgate Bar Mounts #539.57 - Left (shown) #539.56 - Right Qty. 1</p>	 <p>Tailgate Bar #538.76 Qty. 1</p>	 <p>Deck, Header Assembly &amp; Fabric Top Right Side Window Left Side Window Rear Window</p>

## Section 1 Install Rear Door Rails

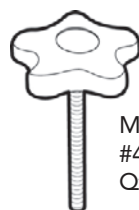
**Step 1** 486.67 486.68

**Hardware**

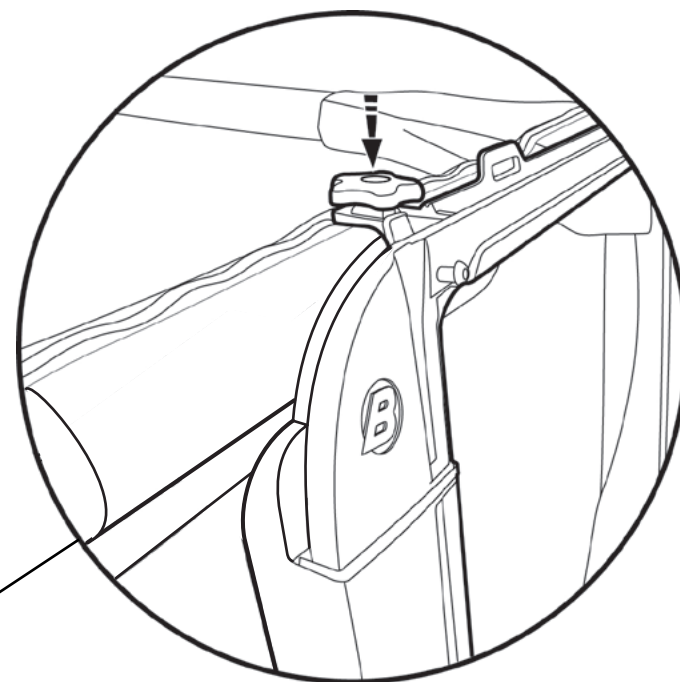
**Step 2** 478.90



Rear Door Rails  
#486.66 - Right  
#486.67 - Left  
Qty. 1 per side



M8 x 75mm Knob  
#478.90  
Qty. 1 per side

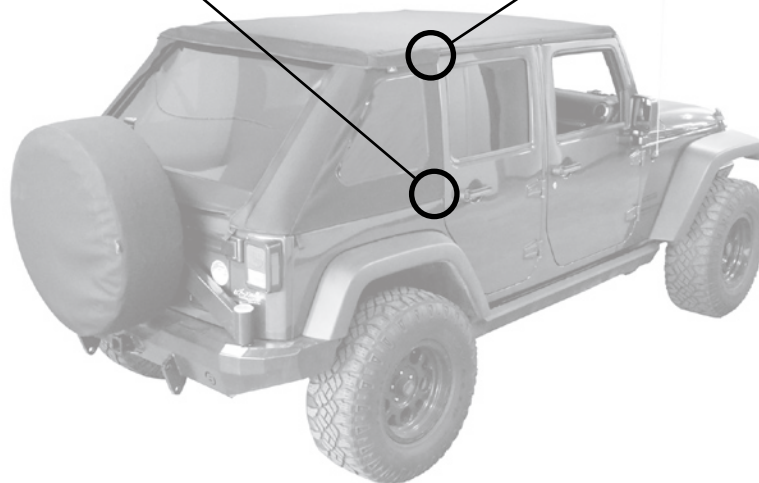


### Step 1

Open the Rear Door.

Insert the pin in the bottom of the right Rear Door Rail #486.66 into the hole in the belt rail behind the rear door opening. Press the channel along the top of the Rear Door Rail around the horizontal sport bar.

Repeat on the left side of the vehicle.



### Step 2

Insert one (1) M8 x 75mm Knob #478.90 into the rear position on the right Rear Door Rail #486.67.

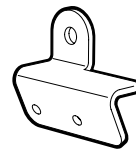
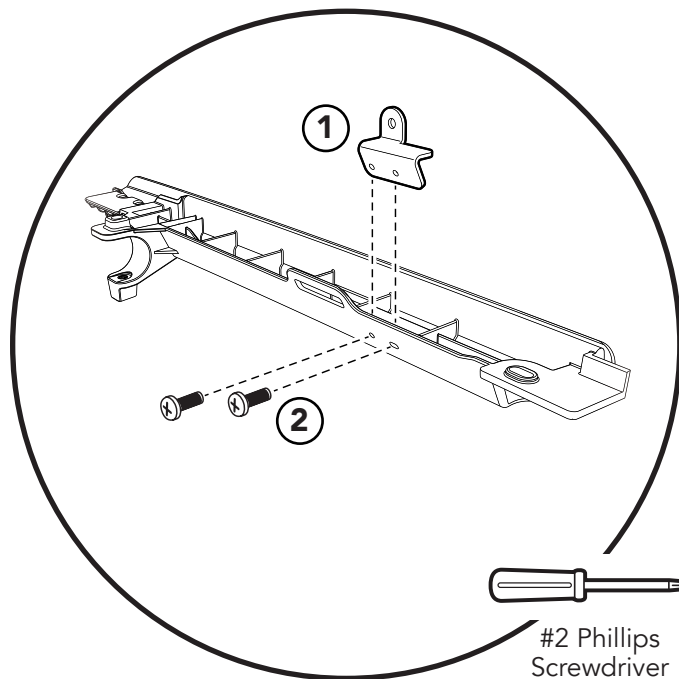
Repeat on the left side of the vehicle.

## Section 2 Attach Sunrider Pivot Brackets & Install Front Door Rails

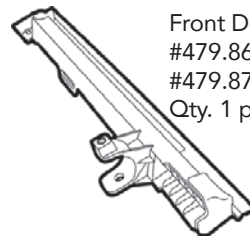
**Step 1** 544.18 544.19 479.86 479.87 195.92

**Hardware**

**Step 2** 478.90 480.220



Sunrider Pivot Bracket  
#544.18 - Right (shown)  
#544.19 - Left  
Qty. 1 per side



Front Door Rail  
#479.86 - Right (shown)  
#479.87 - Left  
Qty. 1 per side



#10-24 x 3/8"  
Machine Screw  
Part #195.92  
Qty. 4



M8 x 75mm Knob  
#478.90  
Qty. 2



M8 x 30mm Knob  
#480.22  
Qty. 2

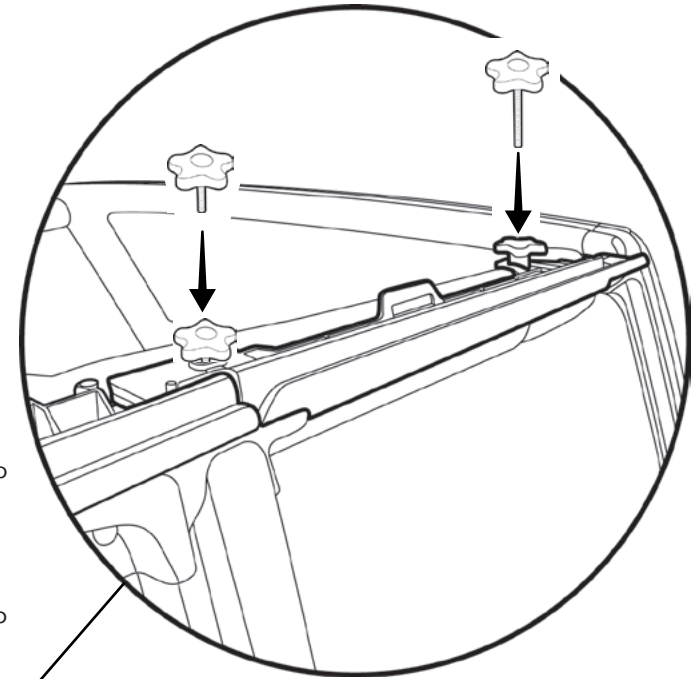


#2 Phillips  
Screwdriver

### Step 1

Attach the right Sunrider Pivot Bracket #544.18 to the right Front Door Rail #479.86 using two (2) #195.92 Screws.

Repeat on the left side of the vehicle, using the #544.19 Left Sunrider Bracket.



### Step 2

Open the front door.

Position the right Front Door Rail #479.86 on the sport bar above the passenger side door and press it into place on the sport bar.

Secure the Front Door Rail in place with one (1) M8 x 75mm Knob #478.90 at the front, and one M8 x 30mm Knob #480.22 at the rear, where the Front Door Rail and Rear Door Rail overlap.

Repeat on the left side of the vehicle.

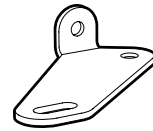
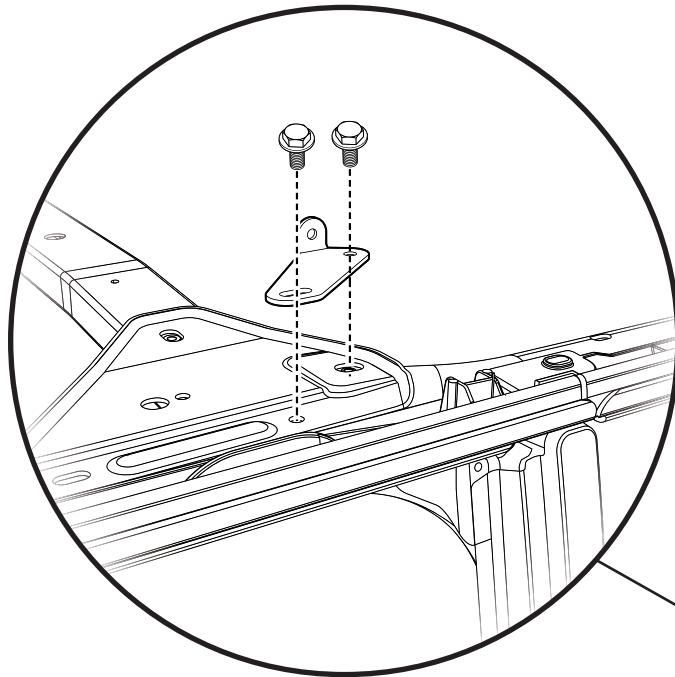


## Section 3 Install #2 Bow Pivot Bracket; Install #3 Bow Assembly

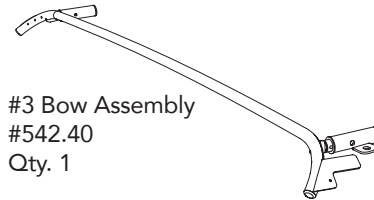
**Step 1** 541.87 541.88

**Hardware**

**Step 2** 542.40



#2 Bow Pivot Bracket  
#541.88 - Right (shown)  
#541.87 - Left  
Qty. 1 per side



#3 Bow Assembly  
#542.40  
Qty. 1

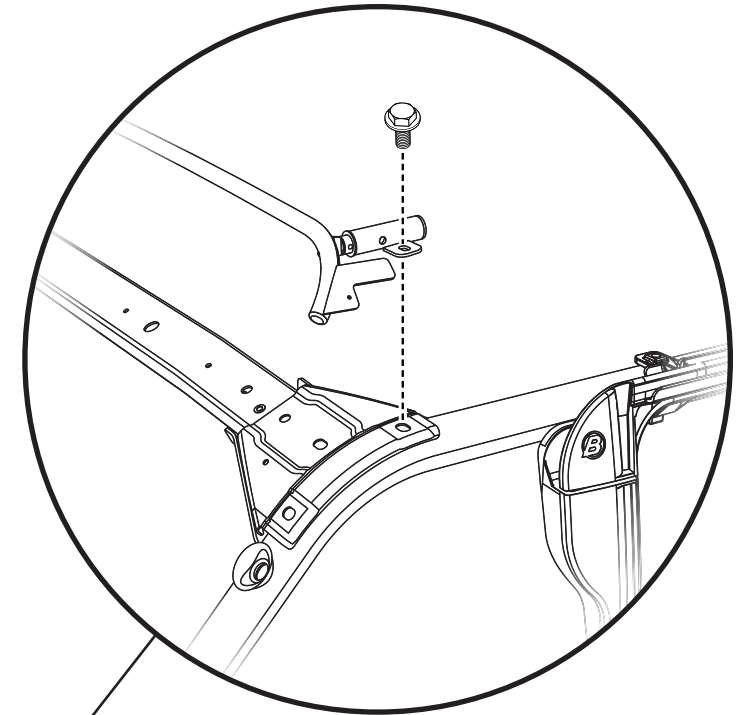
**Tools**



Ratchet



13mm Socket



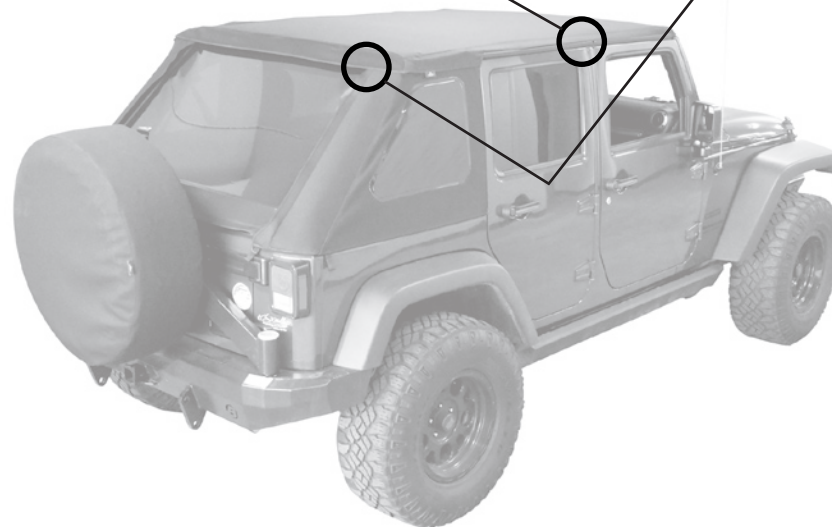
### Step 1

Unzip the sport bar cover over the middle cross bar between the front and rear doors, to expose the sport bar corner plate, and two factory-installed hex-head bolts.

Attach the Right #2 Bow Pivot Bracket #541.88 to the right side sport bar corner plate using the two factory bolts.

Zip the sport bar cover closed, locate the vertical tab on the #2 Bow Pivot Bracket, and slit the sport bar cover to allow this tab to protrude from the cover.

Repeat on the left side of the Jeep.



### Step 2

Unzip the sport bar cover over the rear cross bar, to expose the sport bar corner plates, and the factory-installed hex-head bolts on each side. Remove these bolts.

Slit the sport bar cover just to the inside of each bolt location to allow the horizontal tab on each side of the #3 Bow to slip through the slit.

Attach the #3 Bow #542.40 to the sport bar corner plates using the bolts you removed.

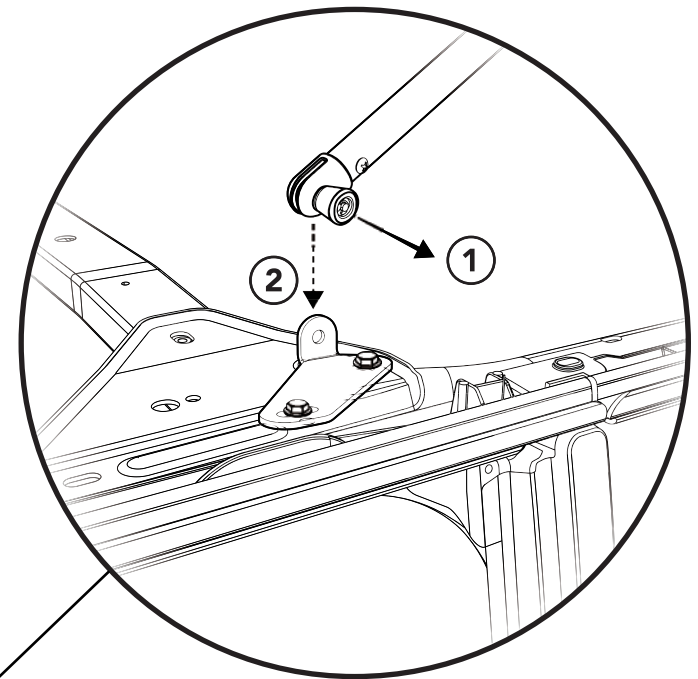
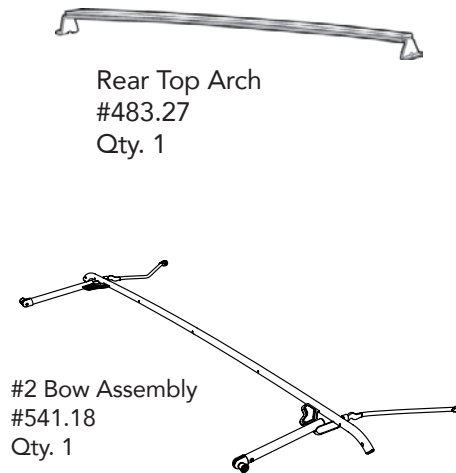
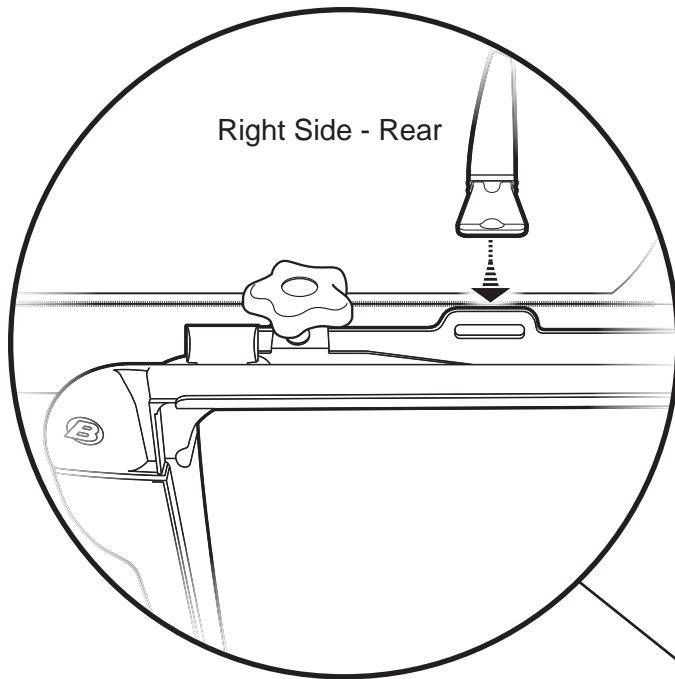
Tighten the bolts, and zip the sport bar cover closed.

## Section 4 Install Rear Top Arch and #2 Bow

Step 1 483.27

Hardware

Step 2 541.18



### Step 1

Insert one end of the Rear Top Arch #483.27 into the slot in the middle of the Rear Door Rail on the opposite side of the Jeep from you.

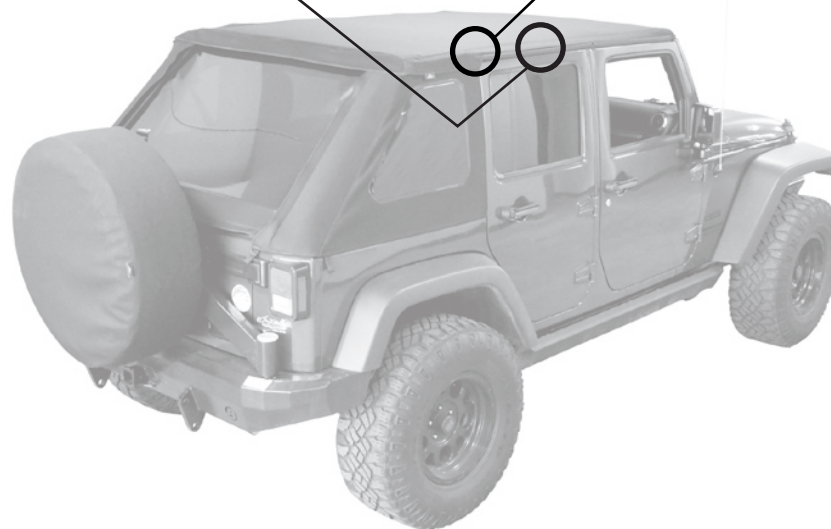
Push the near end of the Top Arch inward while pushing up in the middle of the Top Arch to flex the Arch, so you can insert it into the slot on top of the Rear Door Rail on your side of the Jeep.

### Step 2

Attach #2 Bows #541.18 to the #2 Bow Pivot Brackets on each side.

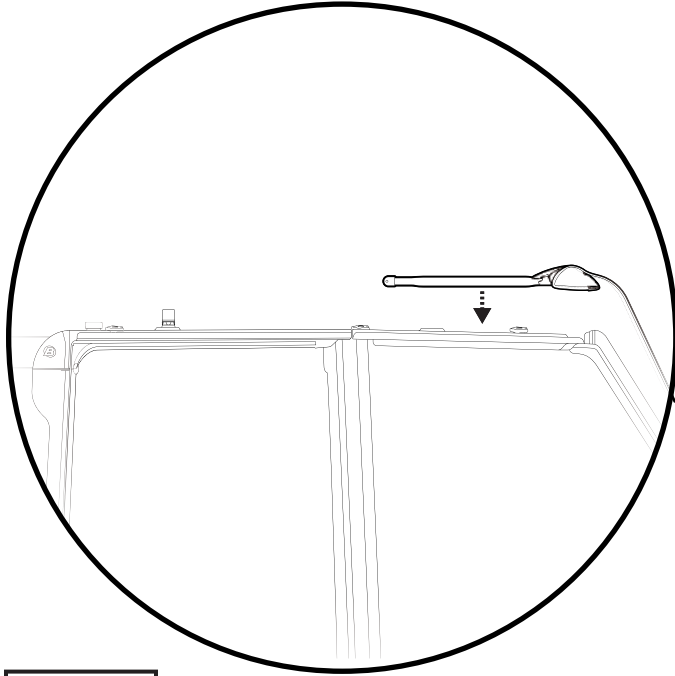
- ① Pull out on the knob to release the spring-loaded catch on the #2 Bow rear legs, and
- ② Slide the slotted end of the catch over the #2 Bow Pivot Bracket tab protruding from the sport bar cover.

Make sure that the spring catch snaps into place on each #2 Bow Pivot Bracket tab.



## Section 5 Place Fabric/Header/Side Bow Assembly onto Jeep; Attach Side Bow to Pivot Bracket

### Step 1 Header/Fabric/Side Bow Assembly

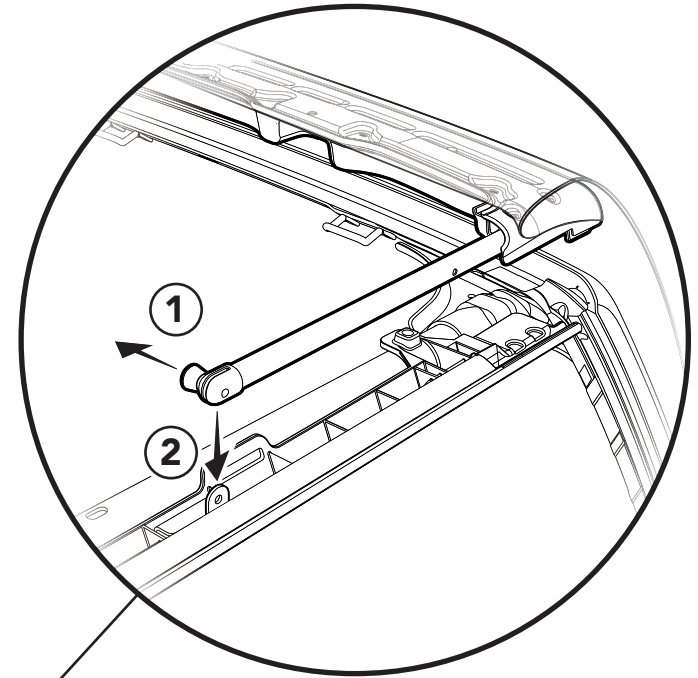


### Step 1

Lift the Header/Side Bow Assembly onto the top of the Jeep, with the Header sitting on top of the the Jeep windshield, and the fabric draped forward over the Jeep hood.

You may want to protect the finish of the Jeep by putting a blanket across the Jeep Hood.

### Step 2



### Step 2

Attach the right Side Bow to the Right Sunrider Pivot Bracket #544.18.

① Pull out on the spring catch release knob;

② Slide the slotted end of the Side Bow over the vertical tab on the Sunrider Pivot Bracket, and release the knob, making sure that the catch snaps into place on the Pivot Bracket tab.

Repeat on the left side of the Jeep.

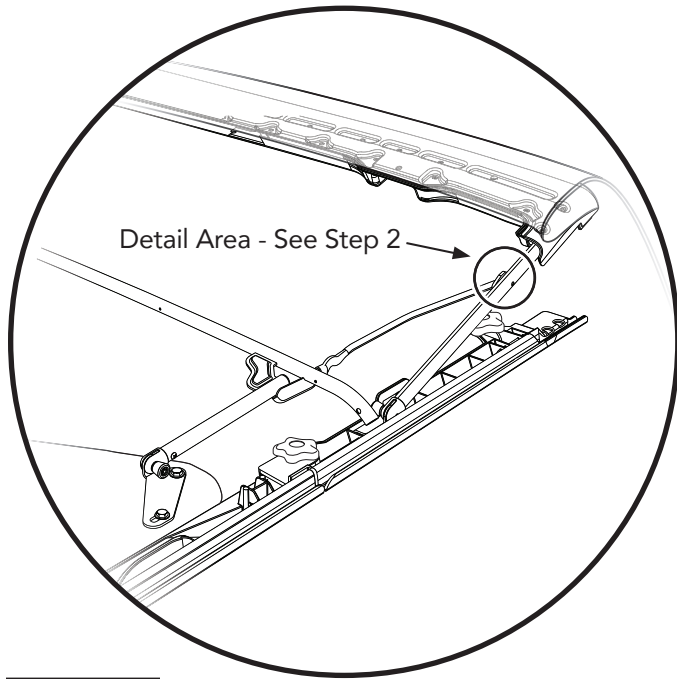



## Section 6 Attach #2 Bow Assembly to Side Bow


### Step 1 #2 Bow Assembly


### Hardware

### Step 2



  
M5 x 35mm Screw  
Part #514.62  
Qty. 2t

  
M5 Nylon Lock Nut  
Part #526.76  
Qty. 2

  
Plastic Bushing  
Part #473.40  
Qty. 4

### Tools

  
Ratchet

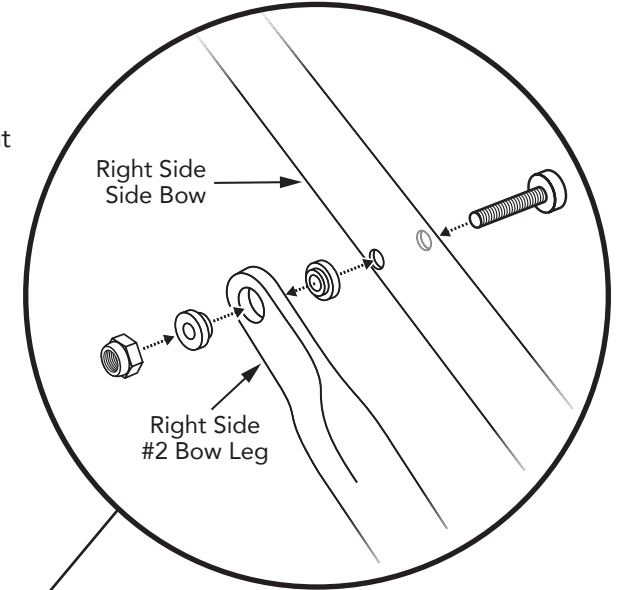
  
8mm Socket

  
3mm Allen Wrench

### Step 1

Lift the Side Bow/Header up and locate the hole in the Side Bow near the Header.

Using this hole in the Side Bow, attach the #2 Bow to the Side Bow.



### Step 1

Secure the #2 Bow to the Side Bow using one (1) Machine Screw #541.62, two (2) Plastic Bushings #473.40, and one (1) Nylon Lock Nut #526.76.

The Plastic Bushings go on both sides of the flat portion of the #2 Bow leg.

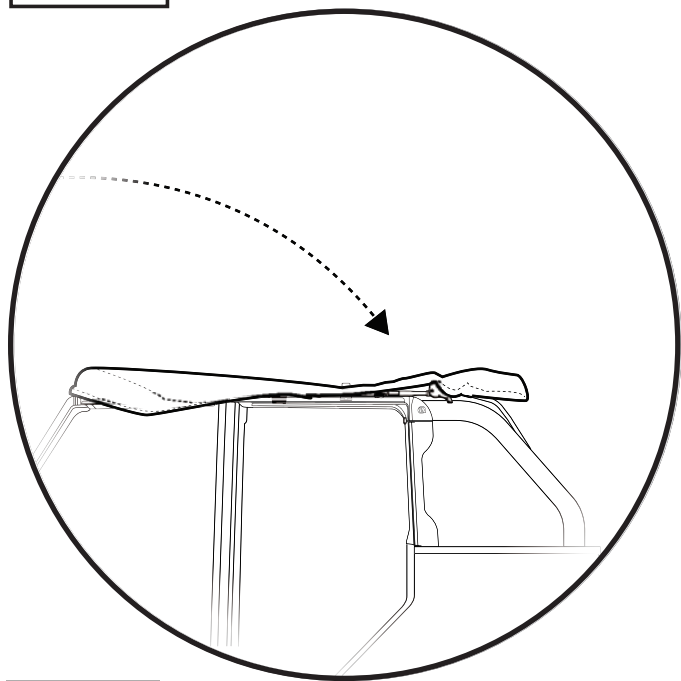
The Nylon Lock Nut goes on the inboard side of the Side Bow.

**NOTE:** Do not overtighten, to avoid damaging the plastic bushings.



## Section 7 Lay Top Fabric Over the Jeep; Fold Back the Sunrider

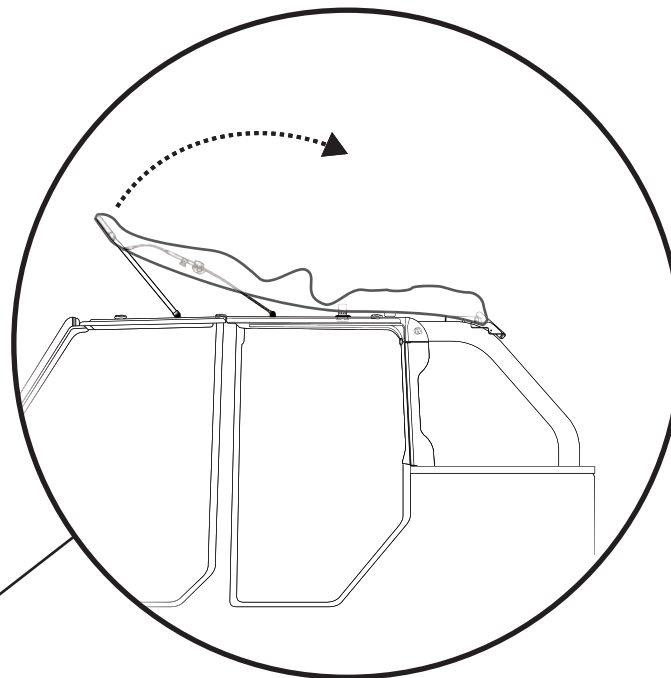
### Step 1



### Step 1

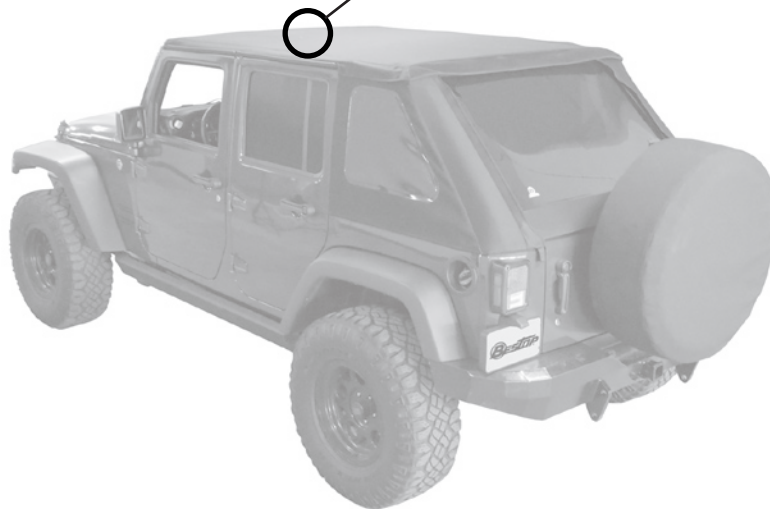
Lift the fabric and drape it back over the top of the Jeep, pulling it over the top of the #2 Bow, Top Arch and #3 Bow.

### Step 2



### Step 2

Fold the Sunrider back from the front pivot point, resting the front portion of the top on the rear portion.

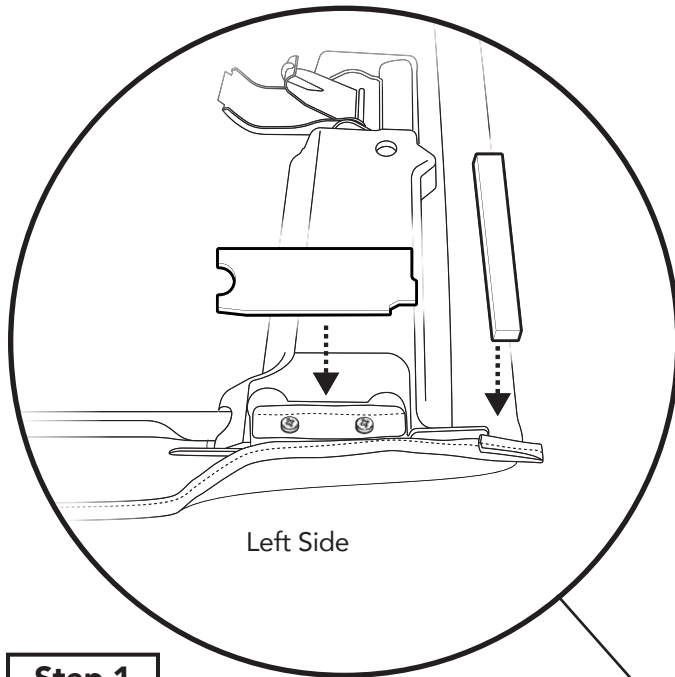


## Section 8 Attach Foam Seals & Foam Tape on inside of Header

**Step 1** 417.43 457.76 457.77

**Hardware**

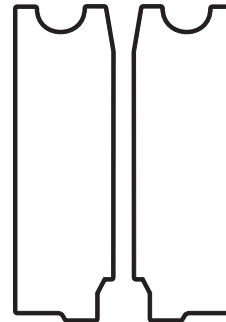
**Step 2**



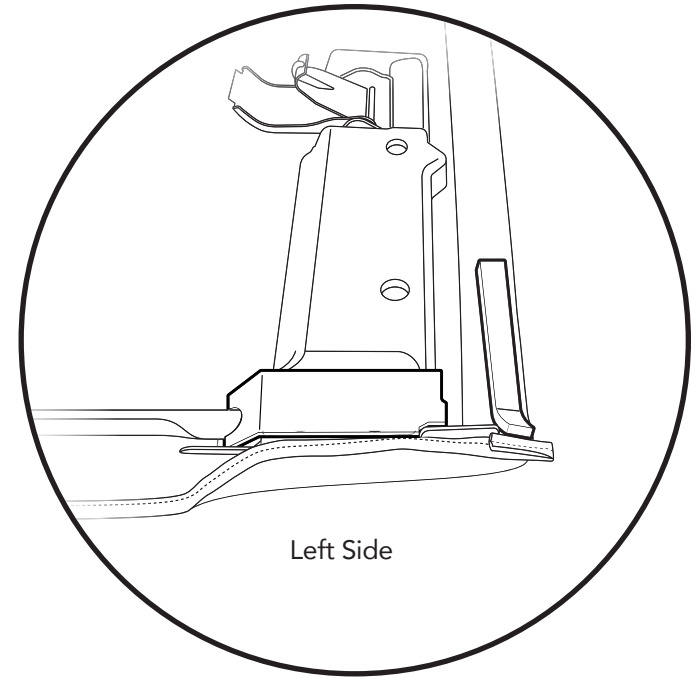
Left Side



Foam Tape Strips  
#417.43  
Qty. 2



Foam Seals  
#457.76 (right)  
#457.77 (left)  
Qty. 1 per side



Left Side

### Step 1

With the Sunrider folded back, locate the two (2) Foam Seals #457.76 (right) and #457.77 (left).

Remove the protective liner from the back side of the left Foam Seal #457.76 and place the Seal in the location shown above.

Repeat on the right side of the Header.



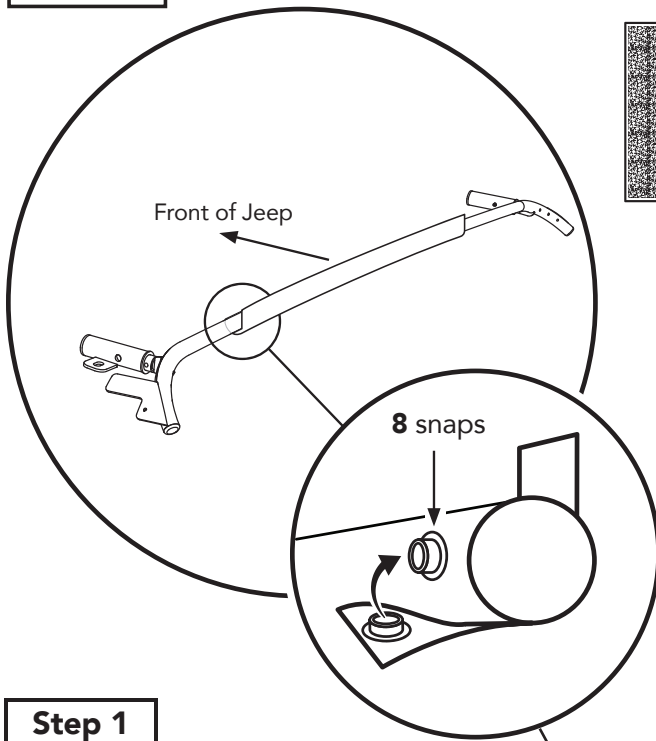
### Step 2

Remove the protective liner from the back side of one of the Foam Tape Strips, and place the Strip in the location shown above, on the left side of the Header.

Repeat on the right side of the Header.

## Section 9 Attach Fabric Flap to #3 Bow; Attach Adhesive Loop Strips; Attach Tailgate Bar Mounts

### Step 1



### Step 1

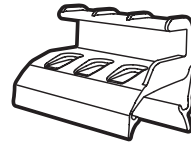
From inside the Jeep, wrap the flap located underneath the #3 Bow under the #3 Bow from the back, and snap the eight (8) snaps on the fabric flap to the snaps on the front-facing side of the #3 Bow.

### Step 2

Attach one (1) Adhesive Fabric Loop Strip #546.15 to each end of the Rear Bow as shown. The Loop Strips should align with the Hook Strips on the underside of the fabric top.

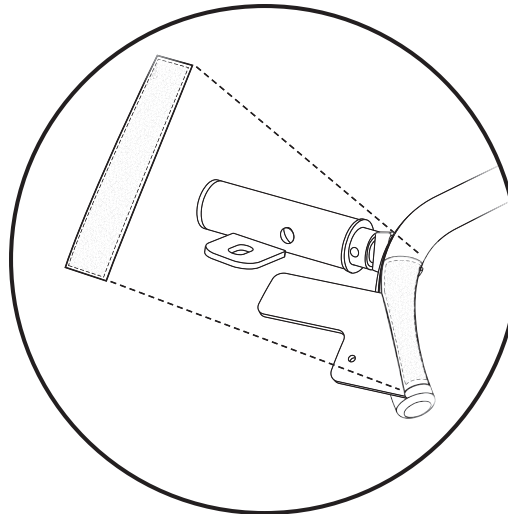
### Hardware

Adhesive Fabric Loop Strip  
Part # 546.15  
Qty. 2



Tailgate Bar Mounts  
#539.57 - Left  
#539.56 - Right (shown)  
Qty. 1 of each

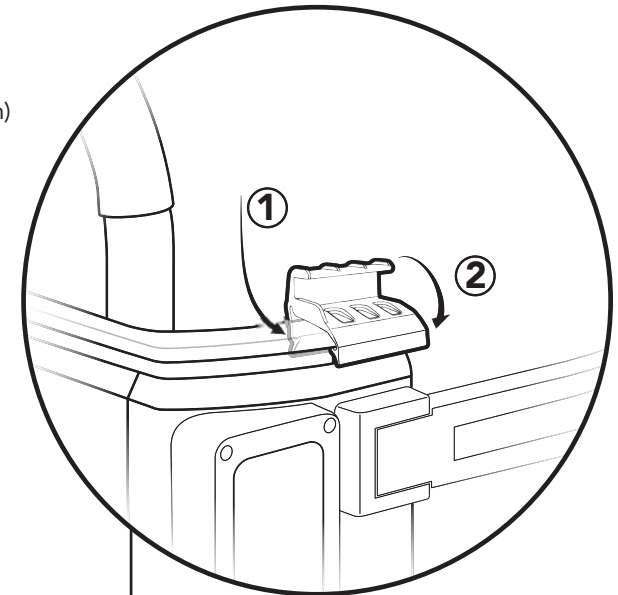
### Step 2 546.15



### Step 3

539.56

539.57

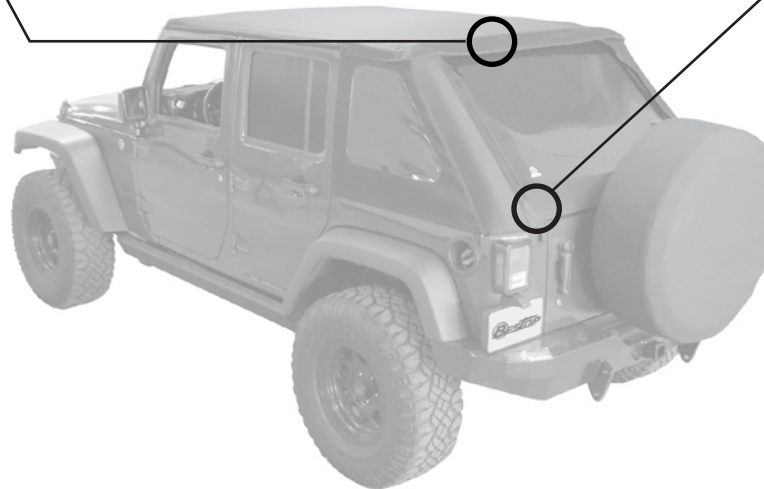


### Step 3

Locate the Left and Right Tailgate Bar Mounts, #539.56 and #539.57. Each bar mount snaps onto the Jeep belt rail just outboard of the tailgate opening.

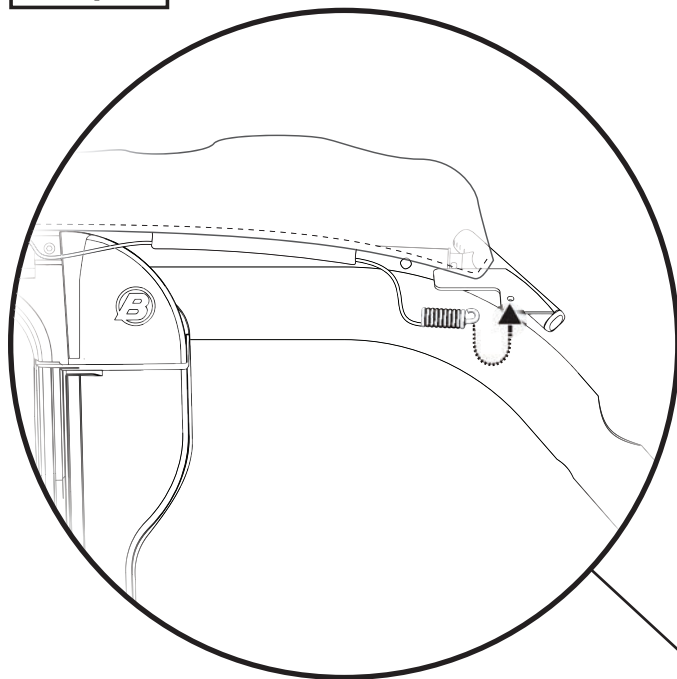
Snap each mount into place by:

- ① Hooking the inner catch portion of the mount under the belt rail on the inside of the tailgate, and then
- ② Rolling the mount downward until it snaps into place under the bottom edge of the outside belt rail.

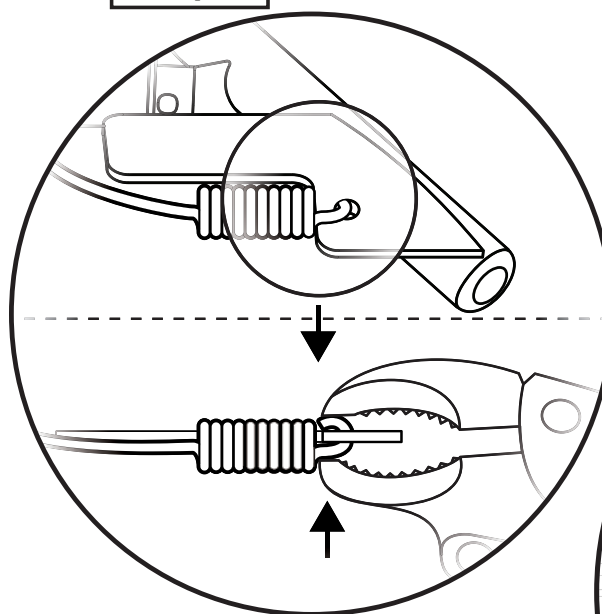


## Section 10 Attach Cable Spring to #3 Bow

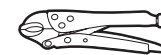
### Step 1



### Step 2

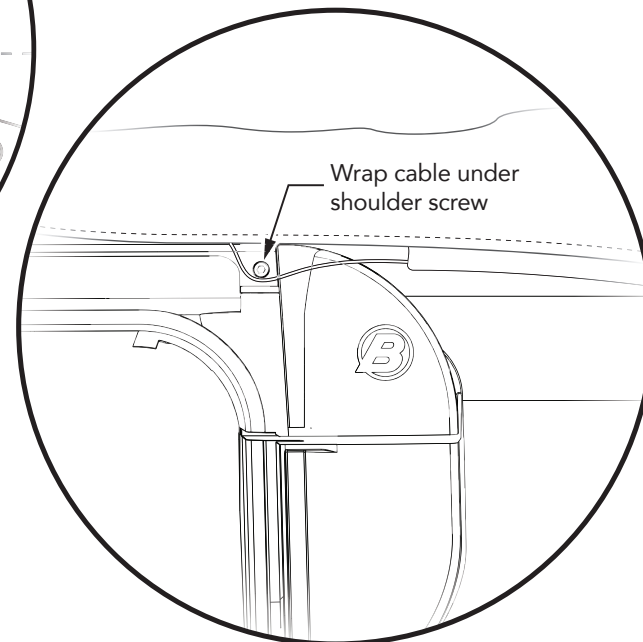


### Tools



Vise-Grips

### Step 3



### Step 1

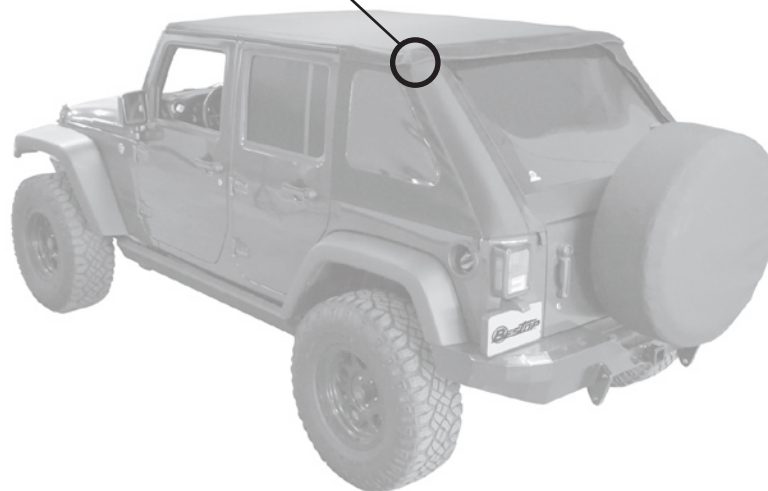
Attach the free end of the Cable Spring to the bottom hole in the #3 Bow corner plate, just above the bend in the rear leg of the sport bar.

### Step 2

Crimp the end of the spring where it passes through the hole in the #3 Bow corner plate, to prevent it from coming loose.

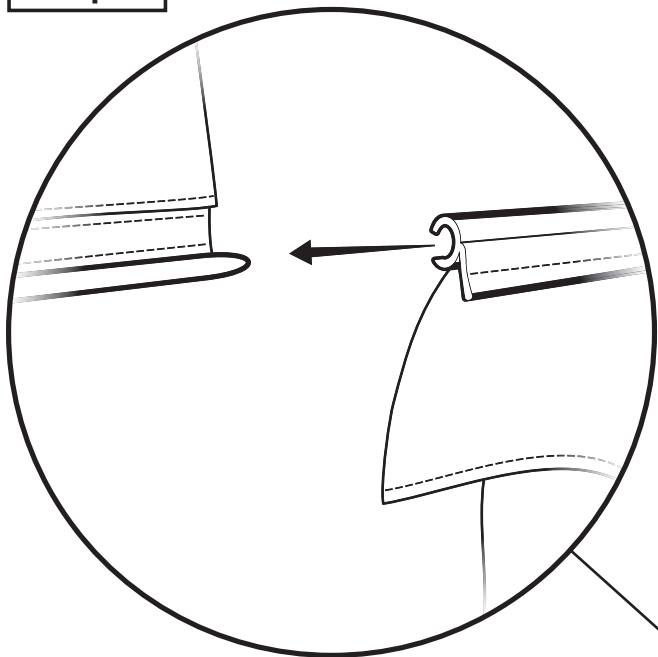
### Step 3

Wrap the cable under the protruding shaft of the Shoulder Screw at the top of the Rear Door Rail.



## Section 11 Install Rear Quarter Windows

### Step 1



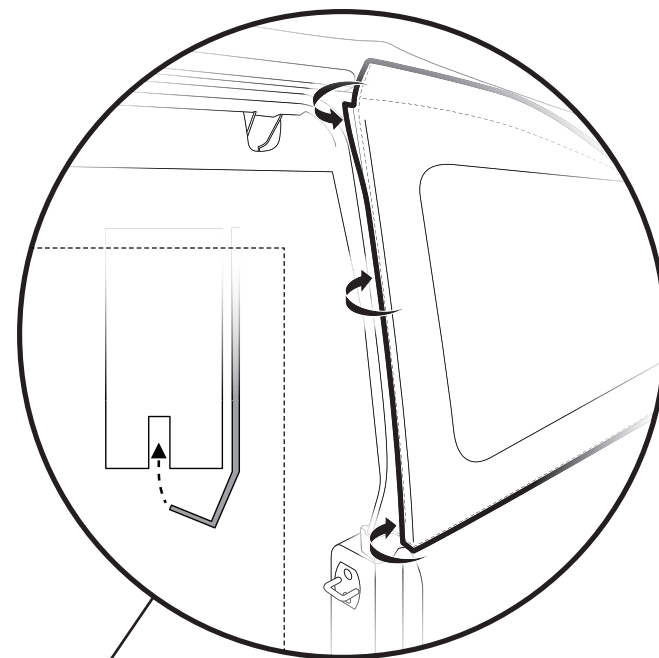
### Step 1

Locate the plastic channel along the lower edge of the top fabric.

Insert the tapered tip of the sewn-in plastic tube at the top edge of the left Quarter Window into the open end of the rear of the channel sewn onto the bottom edge of the top fabric and slide the Quarter Window forward until it stops at the back of the Rear Door Rail.

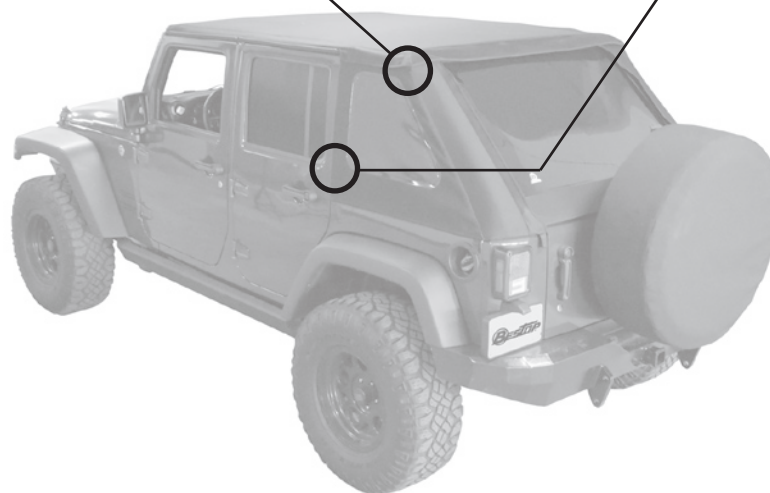
Repeat on the right Quarter Window.

### Step 2



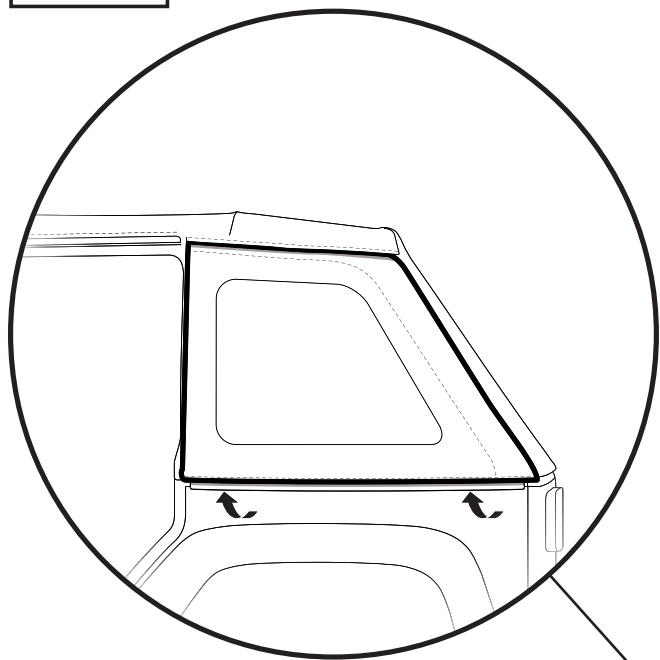
### Step 2

Tuck the plastic angle strip along the front edge of the left Quarter Window into the vertical channel on the front of the Rear Door Rail. The plastic angle strip and attached fabric must be rolled into place in the channel.



## Section 11 Install Rear Quarter Windows (cont.)

### Step 3

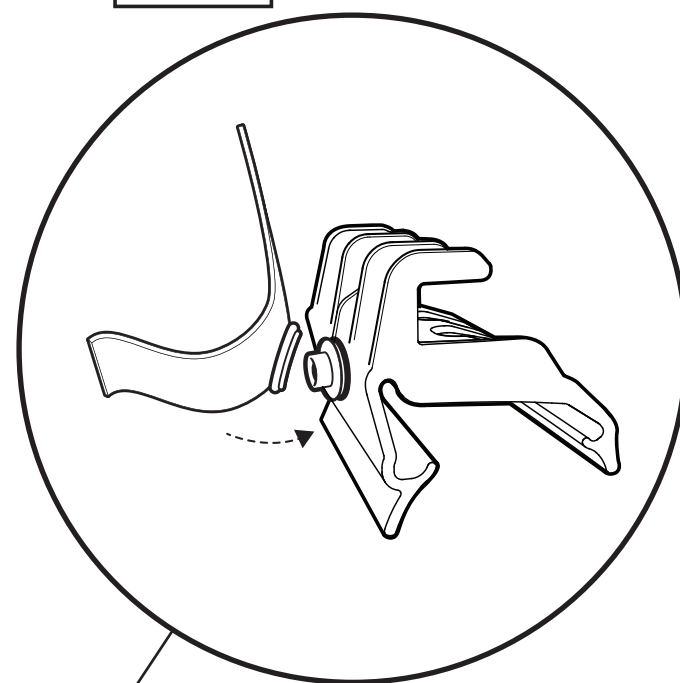


### Step 3

Tuck the plastic strip along the bottom edge of the right Quarter Window under the Jeep belt rail, by rolling it up underneath the belt rail, beginning at the rear, and working your way forward.

Repeat on the left Quarter Window.

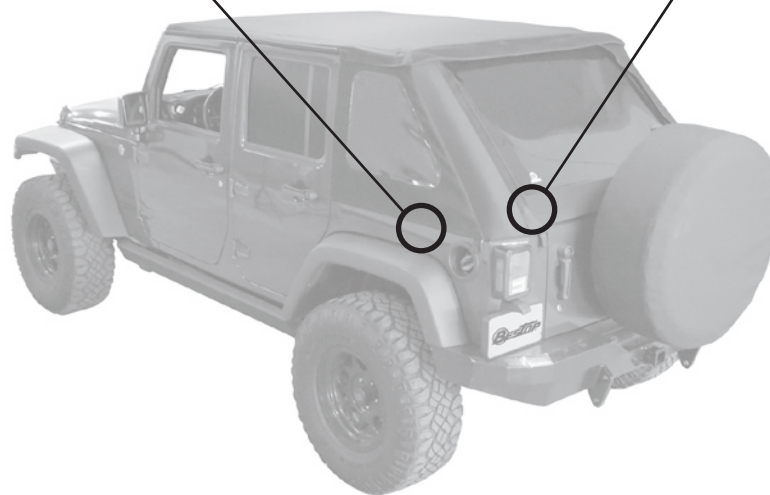
### Step 4



### Step 4

Locate the sewn-in straps with snaps at the bottom inside corner of each Quarter Window.

Snap the end of each strap to the snap on the inside of each Tailgate Bar Mount.

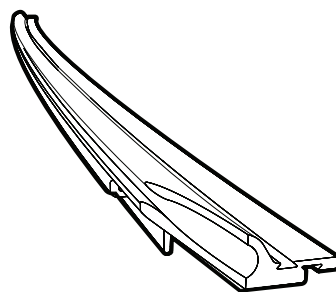
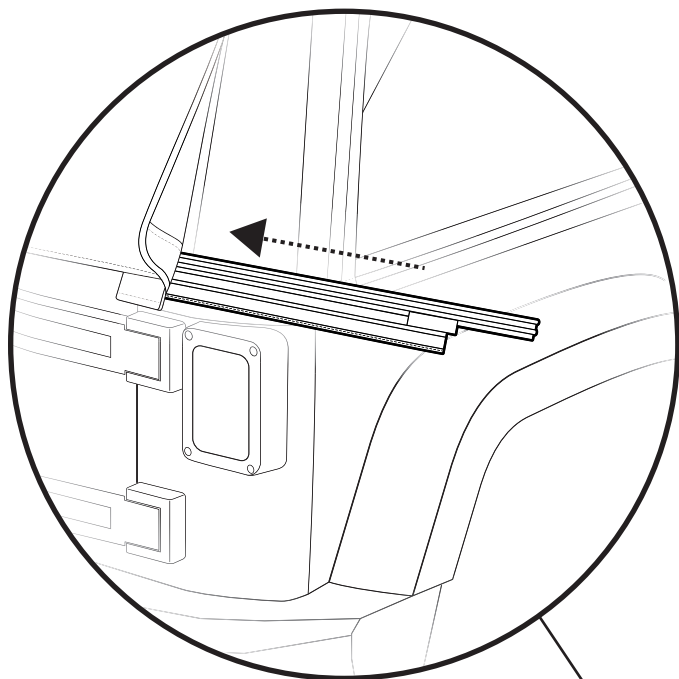


## Section 12 Attach Tailgate Bar to Rear Window

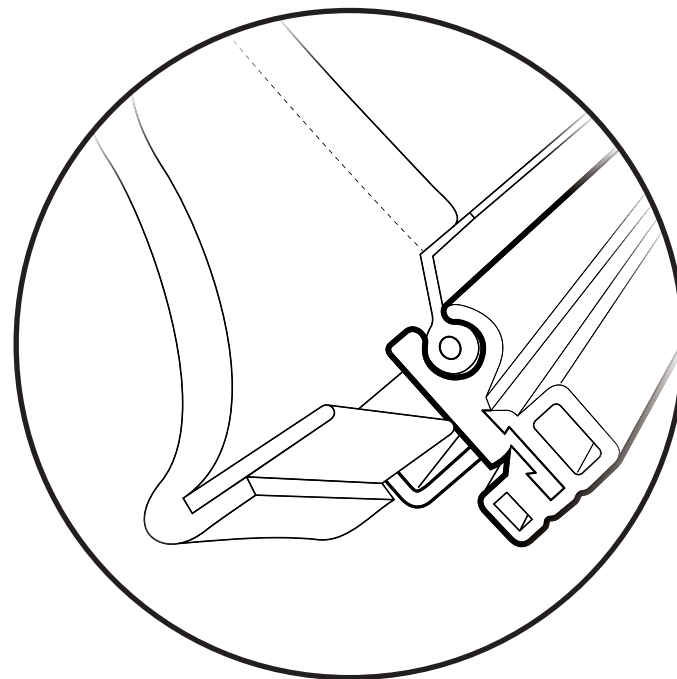
**Step 1** 538.76

**Hardware**

**Step 2**



Tailgate Bar  
#538.76  
Qty. 1

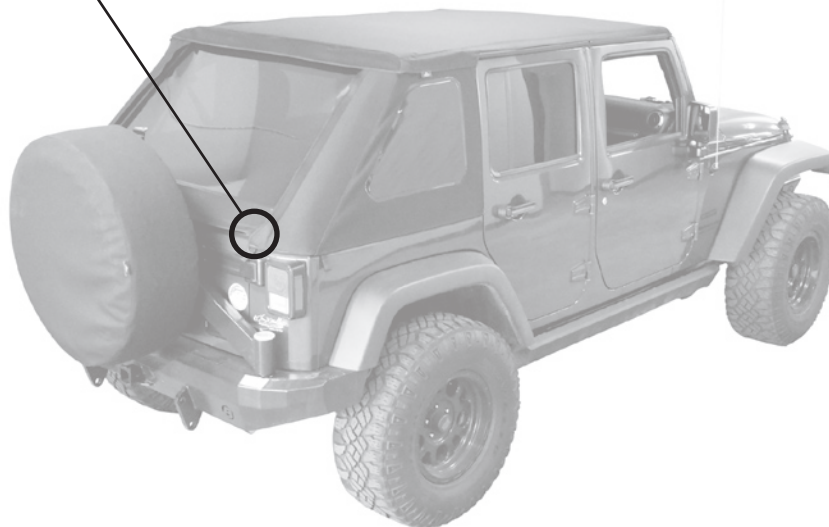


**Step 1**

Locate the Tailgate Bar #538.76, and slide it onto the tubing attached to the bottom inside of the Rear Window

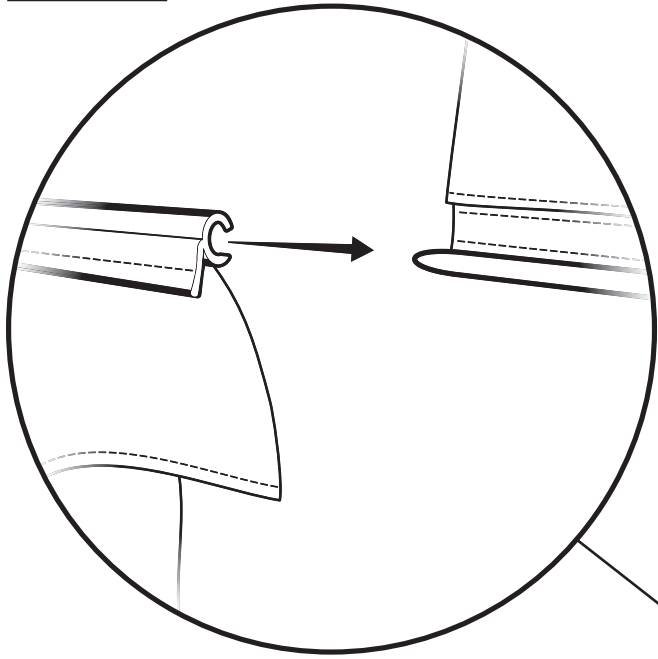
**Step 2**

The round channel on the side of the Tailgate Bar slides over the sewn-on tube on the bottom inside of the Rear Window.



## Section 13 Open the Tailgate & Install Rear Window

### Step 1



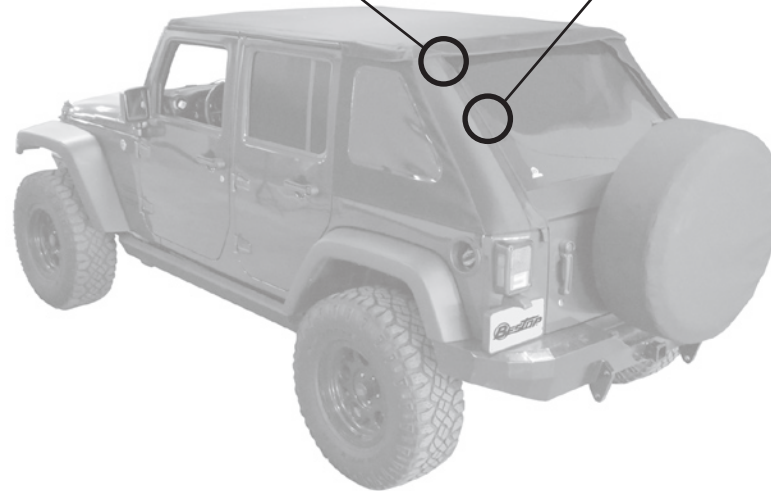
### Step 1

Open the Jeep tailgate.

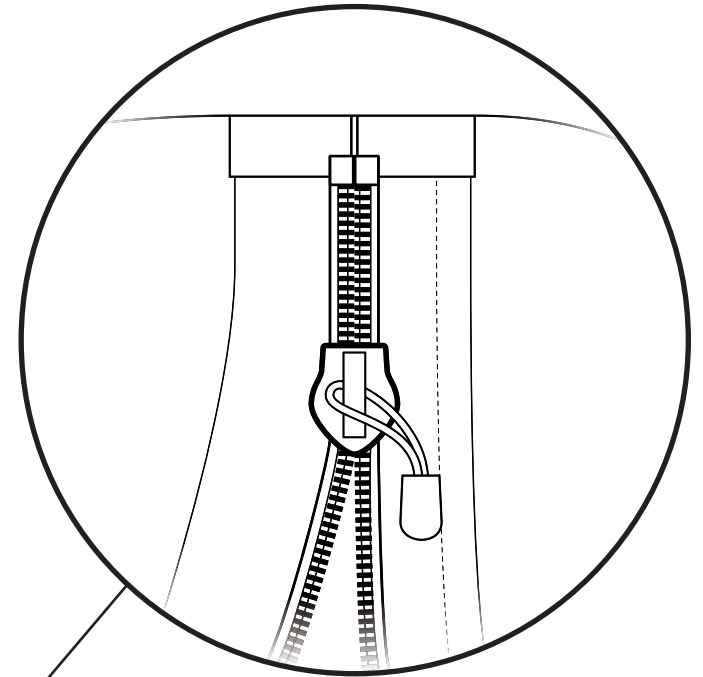
Locate the sewn-in plastic tube along the rear lower edge of the top fabric.

Slide the open end of the sewn-in plastic channel along the top edge of the Rear Window over the tapered end of the left side of the plastic tube.

Slide the Rear Window to the right until it stops at the right Rear Quarter Window.



### Step 2

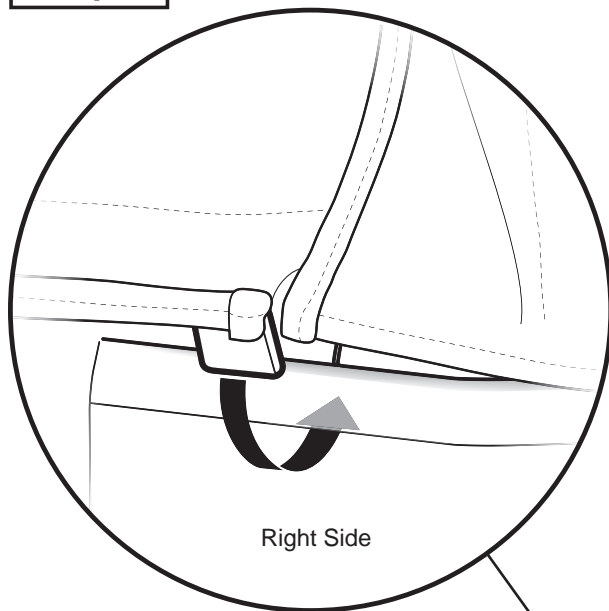


### Step 2

Zip the Rear Window to the Rear Quarter Windows on both sides.

## Section 13 Install Rear Window (cont.)

### Step 3



Right Side

### Step 3

Tuck the plastic tab at the bottom right corner of the Rear Window under the Jeep belt rail.

Roll the tab up underneath the belt rail.

Repeat on the left side.

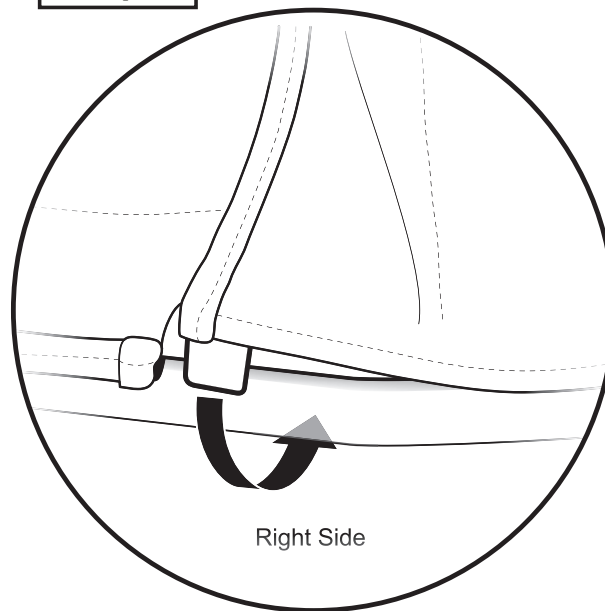
### Step 4

Tuck the plastic tab at the bottom rear corner of the right Rear Quarter Window under the Jeep belt rail.

Roll the tab up underneath the belt rail.

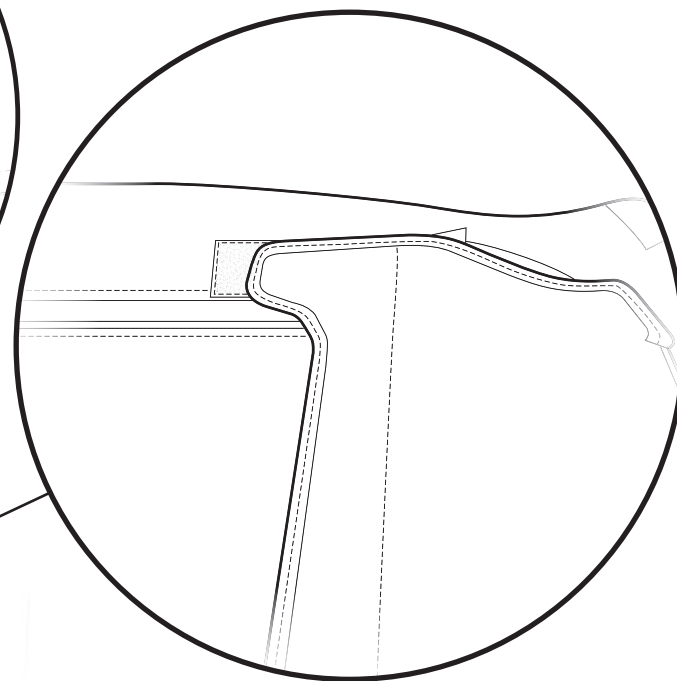
Repeat on the left side.

### Step 4



Right Side

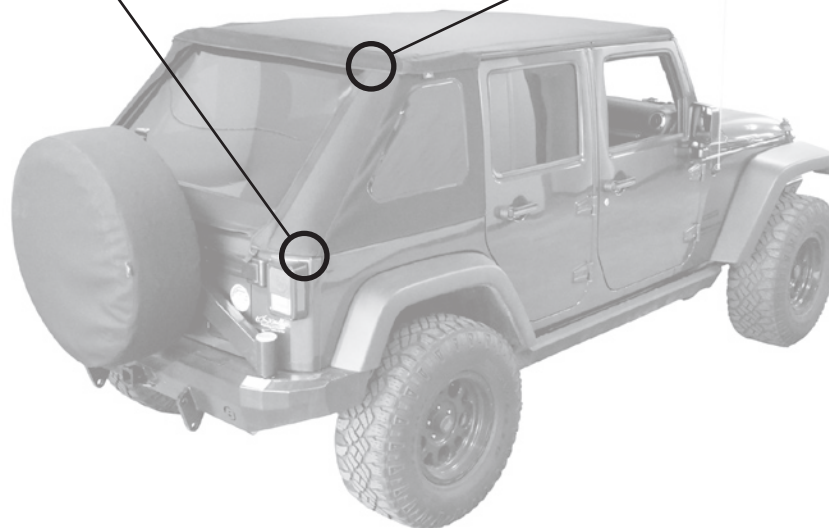
### Step 5



### Step 5

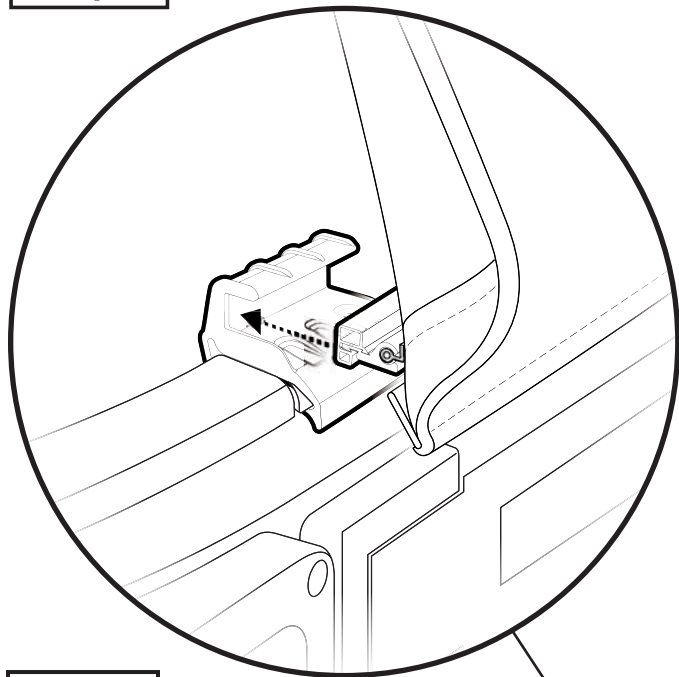
Locate the hook and loop strip at the right rear corner of the top fabric. Attach the flap at the top corner of the right Quarter Window to the hook and loop strip.

Repeat on the left side of the Jeep.



## Section 14 Snap Tailgate Bar to Tailgate Bar Mounts; Snap Retainer Clips to Sound Bar

### Step 1

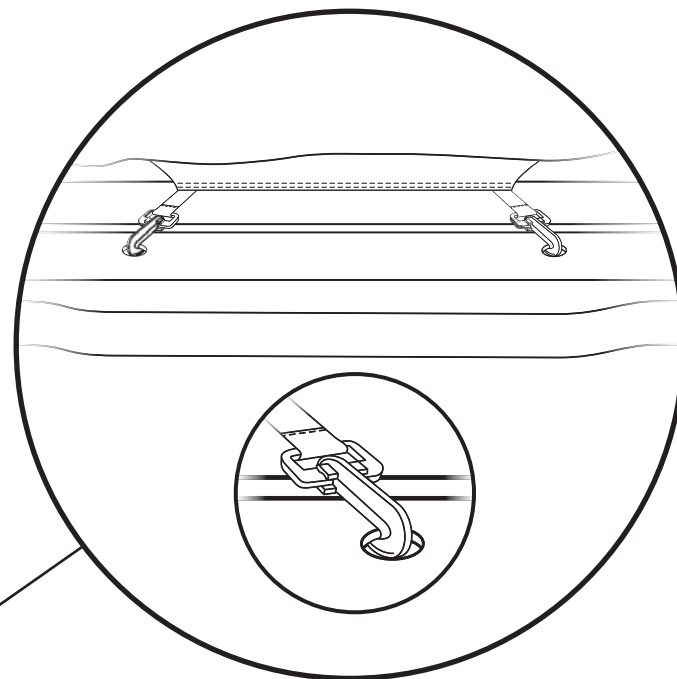


### Step 1

Snap the front edge of the Tailgate Bar into the channel on the left Tailgate Bar Mount.

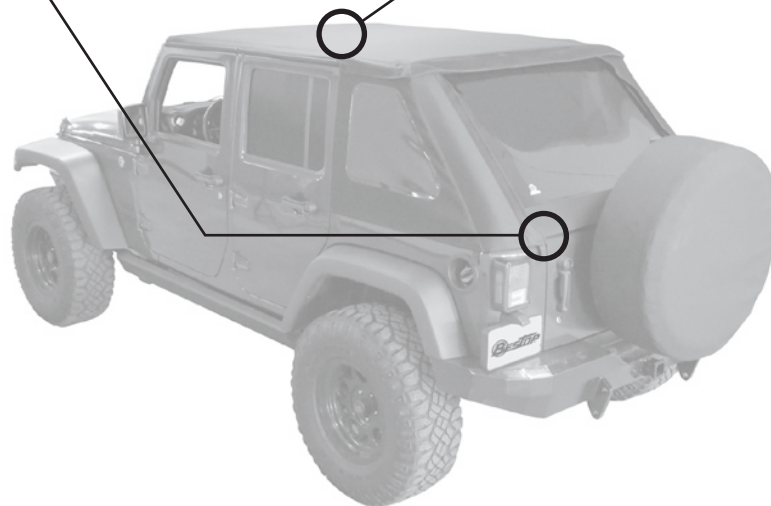
Repeat on the right side.

### Step 2



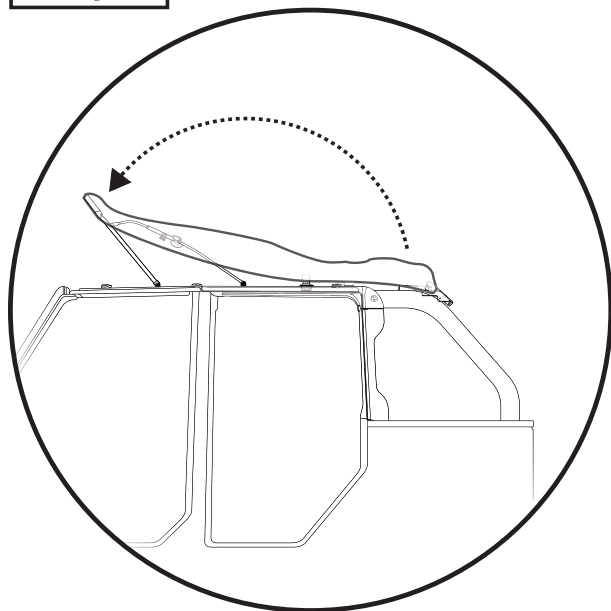
### Step 2

From the inside of the Jeep, locate the two retainer clips attached to the inside of the top fabric, and clip them to the two holes in the top of the vehicle's soundbar.

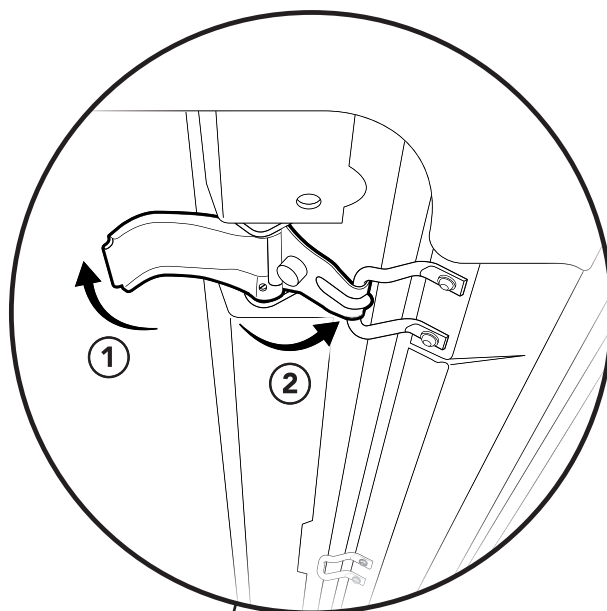


## Section 15 Close the Sunrider and Latch Windshield Header Latches

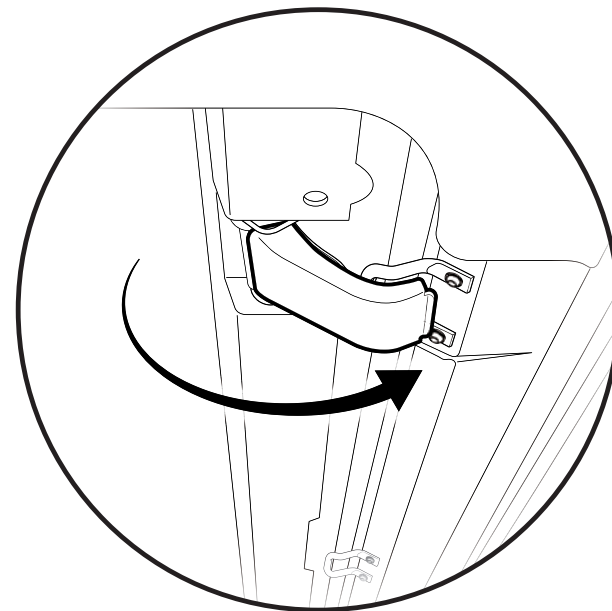
### Step 1



### Step 2



### Step 3



### Step 1

Close the Sunrider.

### Step 2

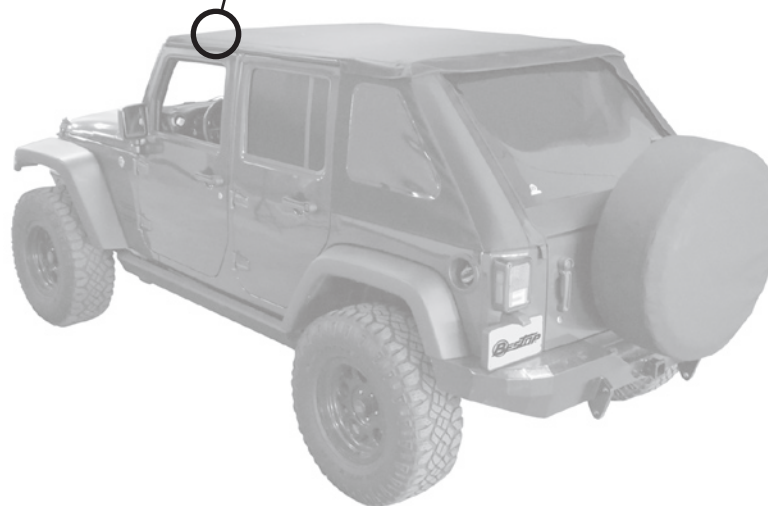
From inside the Jeep, locate the two Windshield Header Latches.

To close the latch, ① pivot the latch handle to the completely open position to allow the the hook to engage the windshield loop.

② Now pivot the hook forward to engage the windshield loop.

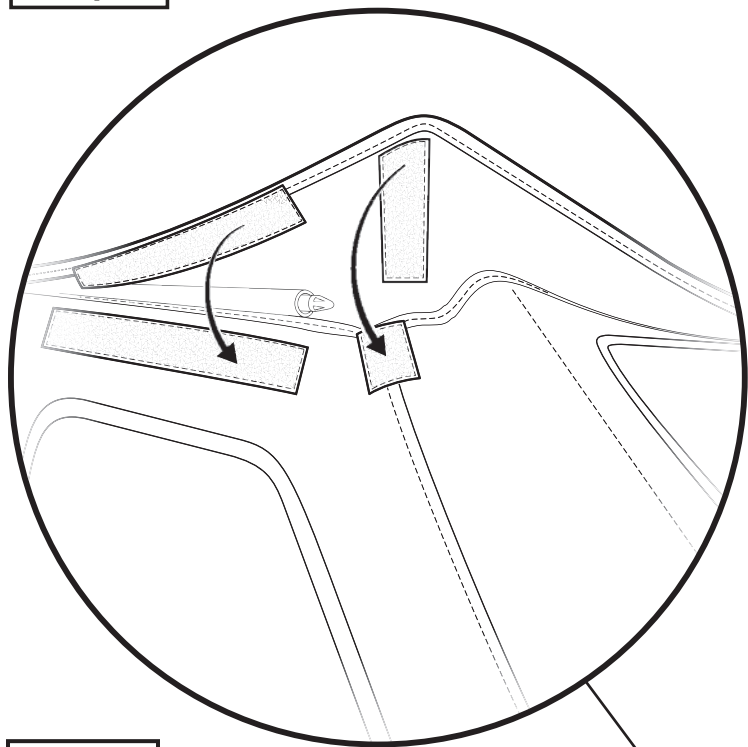
### Step 1

When the hooks are engaged with the windshield loops, close each latch by pivoting it forward toward the windshield.



## Section 16 Snug Rear Corners of Top with Hook & Loop

### Step 1

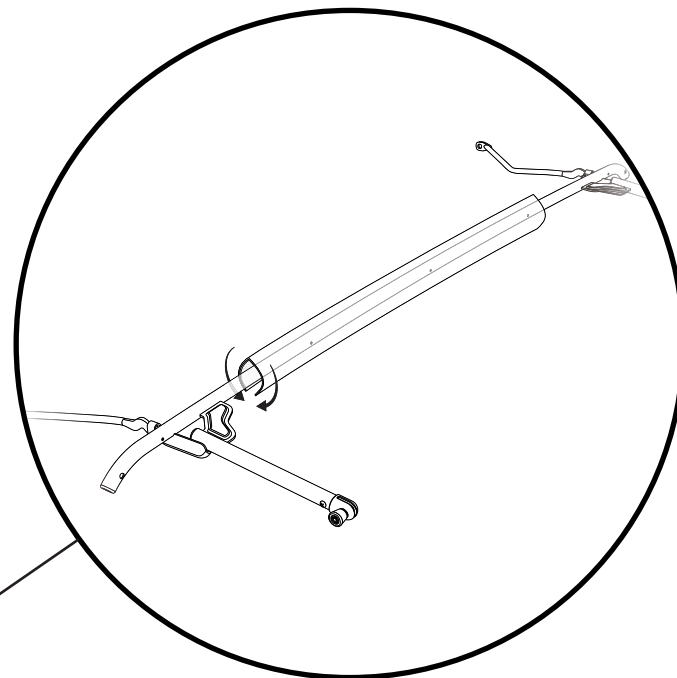


### Step 1

Locate the Hook & Loop strips at the rear corners of the top fabric.

Snug the rear corners of the top by attaching the Hook & Loop strips on the underside of the top fabric to the strips along the top edges of the Quarter Window corners.

### Step 2



### Step 2

Inside the Jeep, locate the two flaps over the #2 Bow.

Wrap the flaps around the #2 Bow, and secure the flaps together with the Hook & Loop strips on each flap.

