



# Installation Instructions Hardtop, Supertop Trail Cover

Vehicle Application:  
Jeep® Wrangler JK & JL Unlimited with Hardtop, Supertop installed  
Part Number 81045

## Installation Tips

Before you begin installing your new Trektop Trail Cover, please read all the instructions thoroughly. It is normal for the fabric to contract and wrinkle when stored in the shipping carton. Within a few days after the installation, The fabric will relax and the wrinkles will disappear.


**Note:** This cover should be installed on a vehicle with a complete hard top in place or with a Bestop Supertop installed. The straps are designed to fit the "stock" model vehicle and may not latch to various step and rocker guards added to the vehicle.




## WEAR SEAT BELTS AT ALL TIMES

This product is designed primarily to protect the interior of the vehicle from ordinary weather conditions. Please note that during prolonged exposure to heavy rain or snow, Some seam leakage may occur. Please plan accordingly. This product will not protect the vehicle from falling objects. Never operate the vehicle with this product installed. The Trail Cover is not made to cover the vehicle while the vehicle is tow.

Installation Time
 <span>15 minutes</span>

Skill Level

1 - Easy

Tools

Safety Glasses



# Installation Instructions Hardtop, Supertop Trail Cover

Vehicle Application:  
Jeep® Wrangler JK & JL Unlimited with Hardtop, Supertop installed  
Part Number 81045

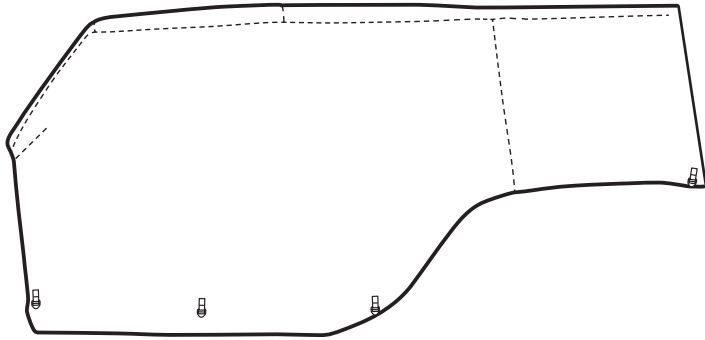
## Parts List

- Required parts for installation

All Sections

Hardtop, Supertop Trail Cover; Attachment Straps

All Pages



Trektop Trail Cover  
Qty. 1

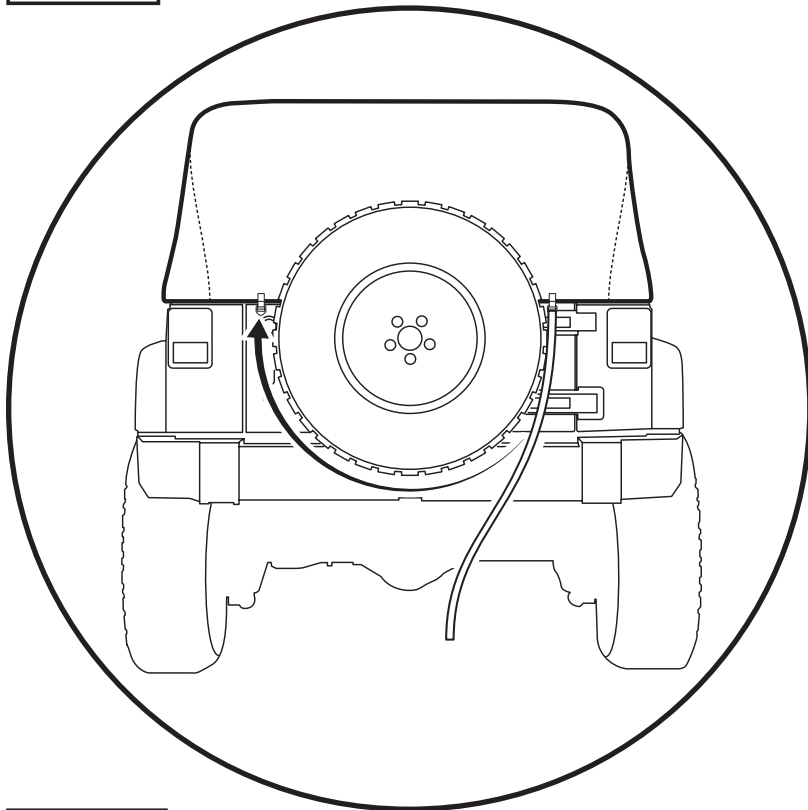


Stuff Sack  
Qty. 1  
Part # 604.01



32" Attachment Straps  
Qty. 8  
Part # 592.26

## Step 1



## Step 1

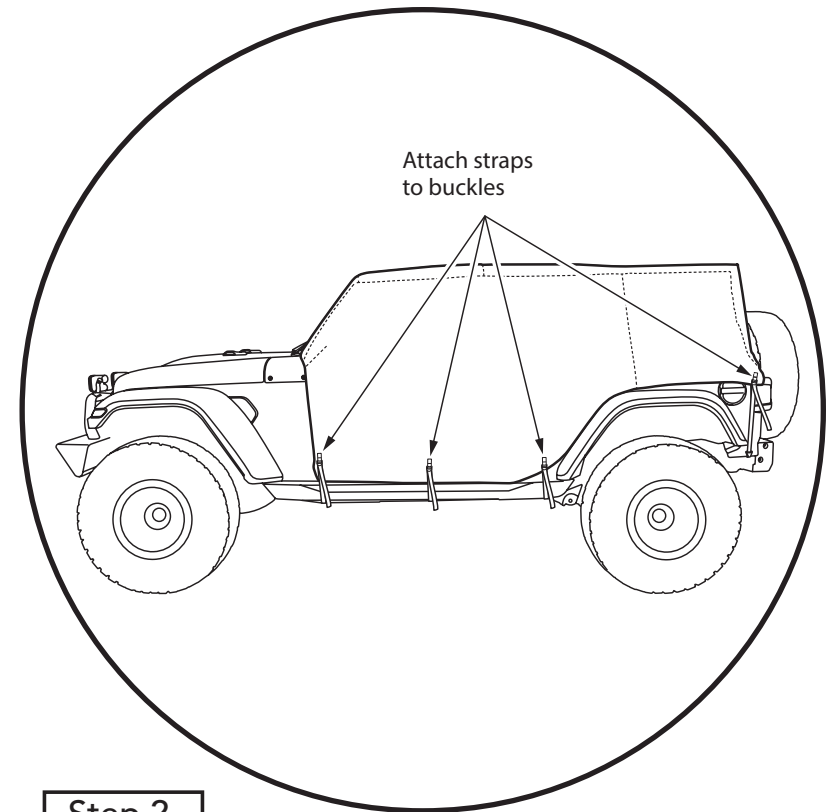
**NOTE:** Fold side mirrors in before starting installation of the cover.

Pull the cover over the top of the Jeep, from the back to the front. Line up the front edge of the cover with the bottom of the windshield.

Start at the rear of the Jeep, and wrap the attached long strap on the passenger side under the spare tire carrier and attach the loose end to the buckle on the driver side.

Loosely snug the strap tight at this time.

## Step 2



## Step 2

Attach the straps to the buckles on the bottom edge of the cover.

Attach the hook at the end of each strap to the Jeep body pinch weld along the bottom edge of the rocker panels on each side - or to another suitable point if the pinch weld is covered.

Start at the rear, and loosely snug the straps, alternating sides of the vehicle as you work forward. When all straps are attached and loosely snug, you can firmly snug all straps, in the same order as before.

Place the windshield wiper blades on top of the cover at the front.