



# Installation Instructions Seat Cover, Rear Kit

Vehicle Application:  
Wrangler Unlimited  
2008-2012  
Part Number 29281

## Installation Tips

Read and follow, precisely, all installation instructions provided when installing this product. Failure to do so may result in a poor fit, and could place occupants of the vehicle in a potentially dangerous situation.



### **WARNING**


To reduce the risk of accidental injury: Follow all vehicle Manufacturer's and Bestop® safety messages, application and installation instructions.

- Do not remove seats from the vehicle to install this product.
- Fit and maintain sides of seat cover as tight to seat as possible, always matching front to side seam of seat with similar panels and seams of seat cover.
- Remove headrest carefully to avoid damaging manufacturer's wiring. Assure all plugs are connected after installation of seat cover.
- Do not use and replace if seat cover becomes damaged or wear no longer allows tight fit to seat sides.

### **WEAR SEAT BELTS AT ALL TIMES**



Tools	
	
Safety Glasses	
	<b>CAUTION</b> Safety glasses should be worn at all times when installing this product.

Installation Time	
	1 Hour
Skill Level	
<div style="display: flex; justify-content: space-around; align-items: center;"> <div style="border: 1px solid black; border-radius: 50%; width: 30px; height: 30px; display: flex; align-items: center; justify-content: center;">1</div> <div style="border: 2px solid black; border-radius: 50%; width: 30px; height: 30px; display: flex; align-items: center; justify-content: center;">2</div> <div style="border: 1px solid black; border-radius: 50%; width: 30px; height: 30px; display: flex; align-items: center; justify-content: center;">3</div> <div style="border: 1px solid black; border-radius: 50%; width: 30px; height: 30px; display: flex; align-items: center; justify-content: center;">4</div> </div>	2 - Moderately Difficult



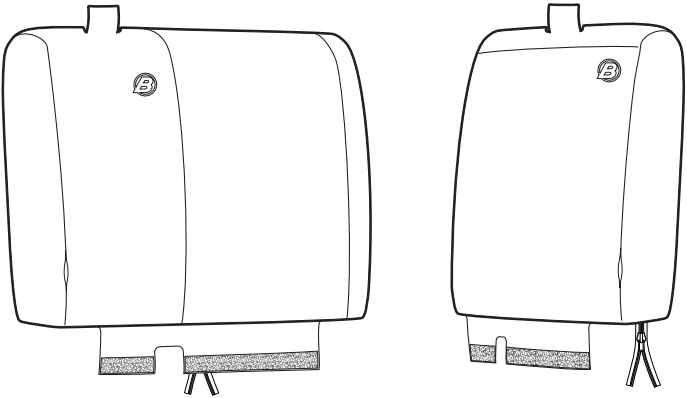
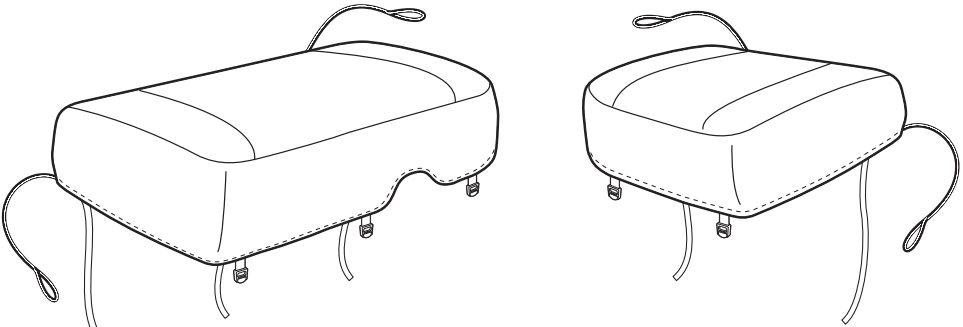
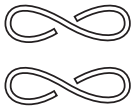
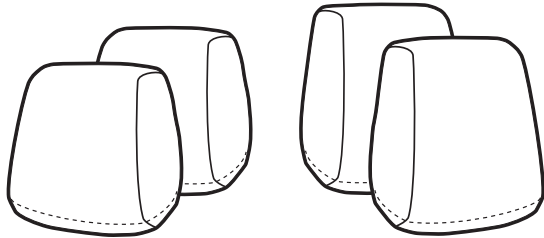
# Installation Instructions

## Seat Cover, Rear Kit

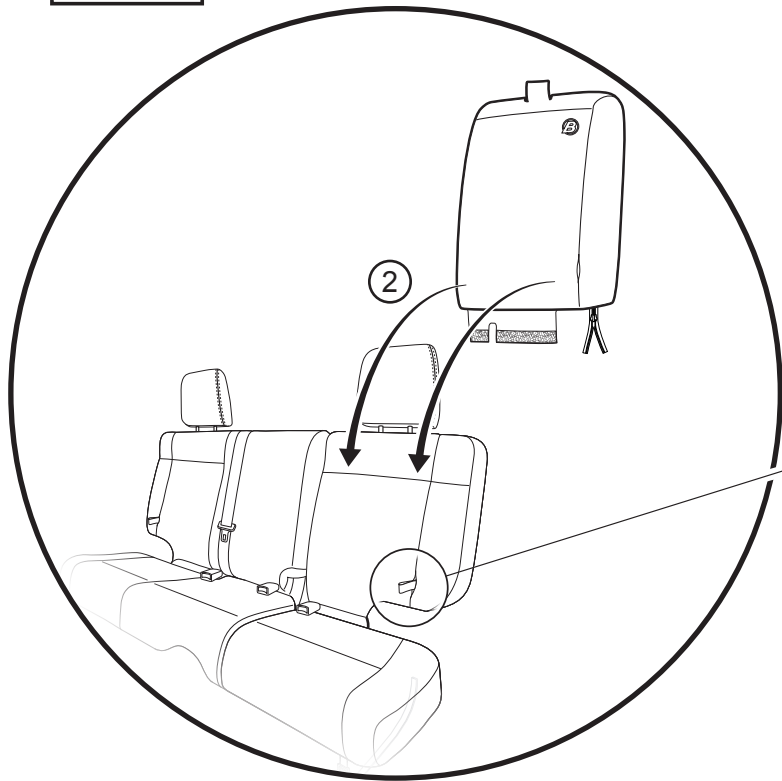
Vehicle Application:  
 Wrangler Unlimited  
 2008-2012  
 Part Number 29281

### Parts List

- Required parts for each installation section - Page number in Installation Guide

Section 1 Seatback Covers Pages 3-4	Section 2 Seat Bottom Covers Pages 5-6
 <p data-bbox="241 792 420 889">Large Seatback Cover Qty. 1</p> <p data-bbox="655 792 833 889">Small Seatback Cover Qty. 1</p>	 <p data-bbox="1171 784 1381 881">Large Seat Bottom Cover Qty. 1</p> <p data-bbox="1621 779 1831 876">Small Seat Bottom Cover Qty. 1</p>
Section 3 Seat Bottom Covers Page 6	Section 3 Page 6
 <p data-bbox="493 1221 718 1318">Seat Bottom Elastic Cord S-hooks Qty. 2</p>	 <p data-bbox="1201 1323 1339 1388">2008-2010 Vinyl Covers</p> <p data-bbox="1411 1334 1465 1367"><b>OR</b></p> <p data-bbox="1543 1323 1696 1388">2011-2012 Fabric Covers</p> <p data-bbox="1369 1429 1549 1494">Headrest Covers Qty. 2 sets of 2</p>

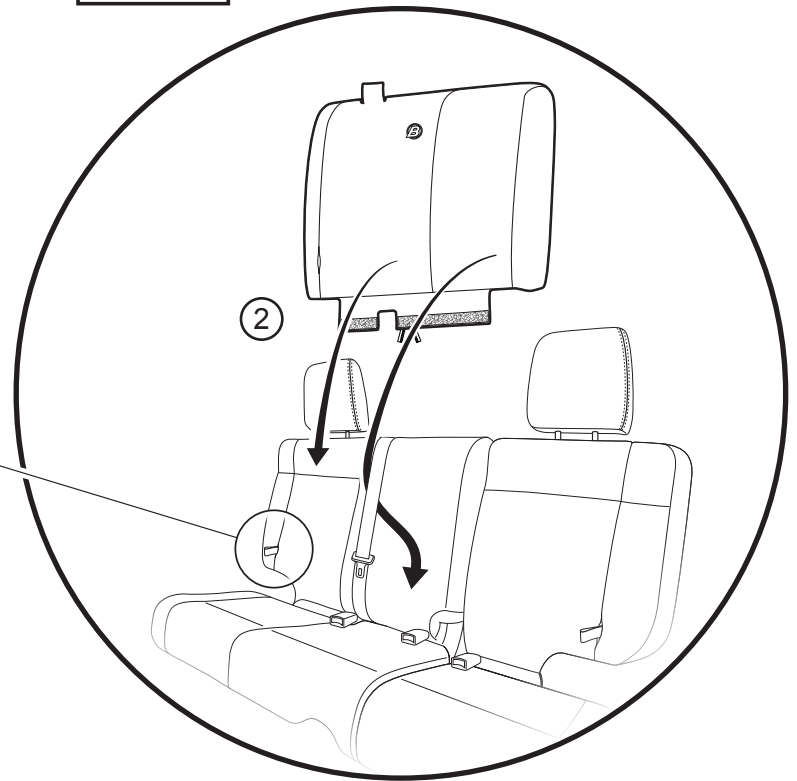
**Step 1**



**Step 1**

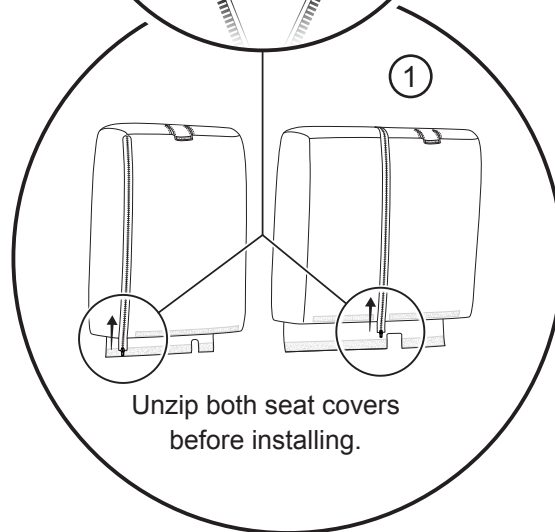
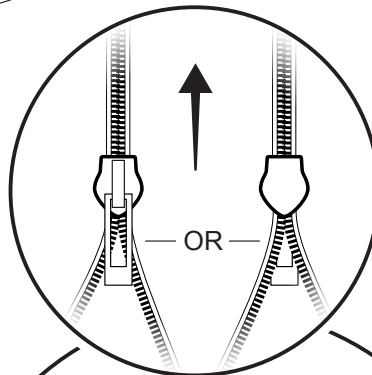
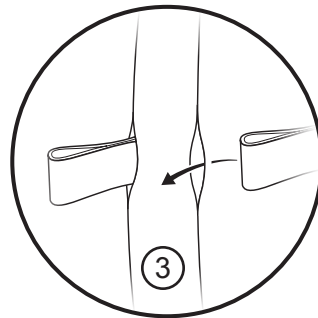
- ① Unzip the back of the Small seatback cover.
- ② Slip the seat cover over the headrest and over the Small seatback. You will have to open the hook-&-loop hole at the top of the seat cover to allow the headrest to pass through.
- ③ Feed the seatback release tab through the hole in the seat cover.

**Step 2**



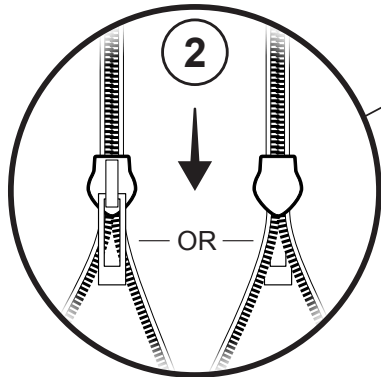
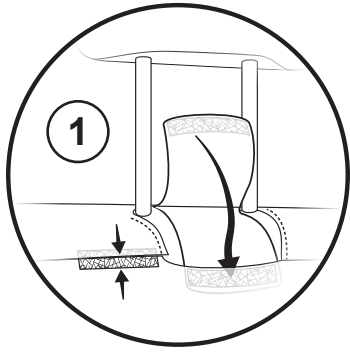
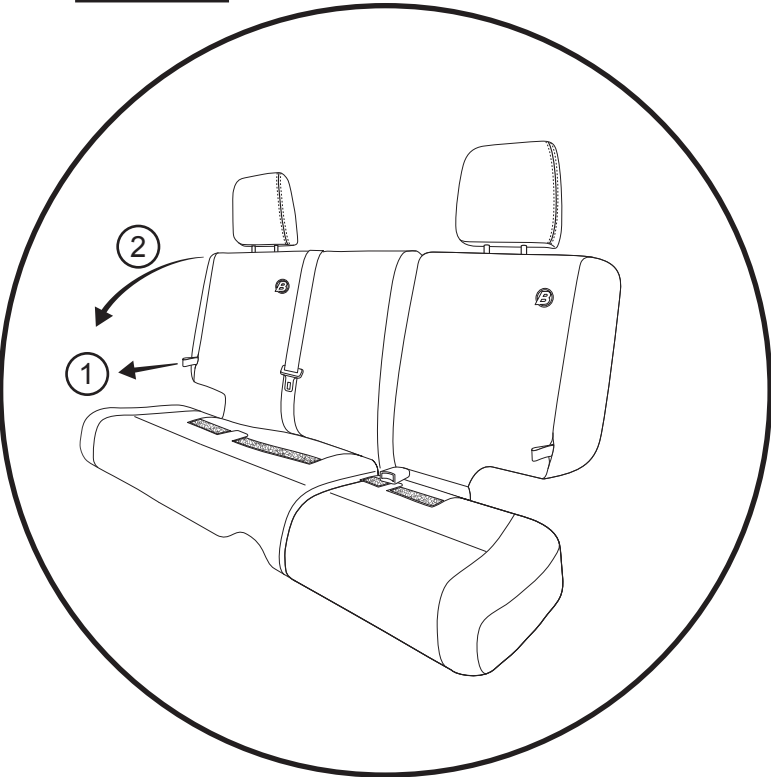
**Step 2**

- ① Unzip the back of the Large seatback cover.
- ② Slip the seat cover over the headrest, under the seatbelt, and over the Large seatback. You will have to open the hook-&-loop hole at the top of the seat cover to allow the headrest to pass through.
- ③ Feed the seatback release tab through the hole in the seat cover.

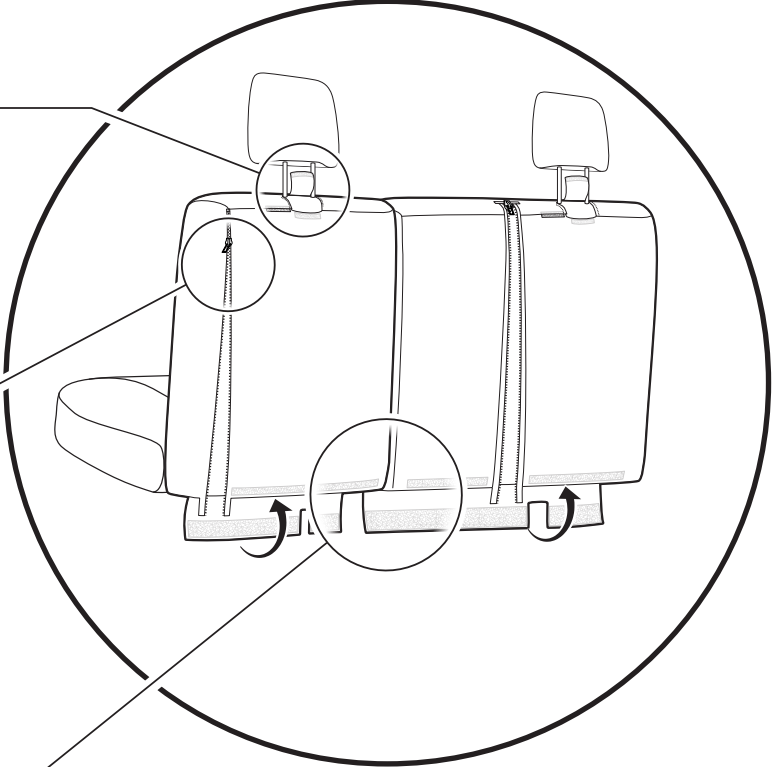


Unzip both seat covers before installing.

**Step 1**



**Step 2**



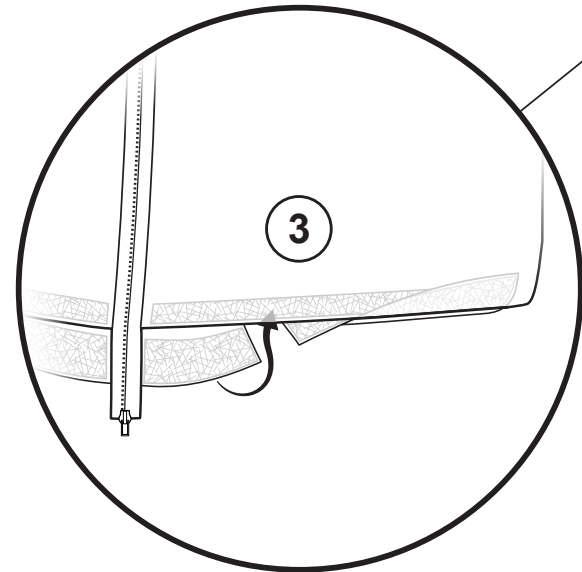
**Step 1**

- ① Pull the Large seatback release tab, and
- ② tilt the seatback forward about halfway, which will provide a space between the seatback and seat bottom.

With the seatback tilted forward, tuck the flap at the bottom of the Large seatback cover between the seatback and the seat bottom.

Repeat this for the Small seatback cover.

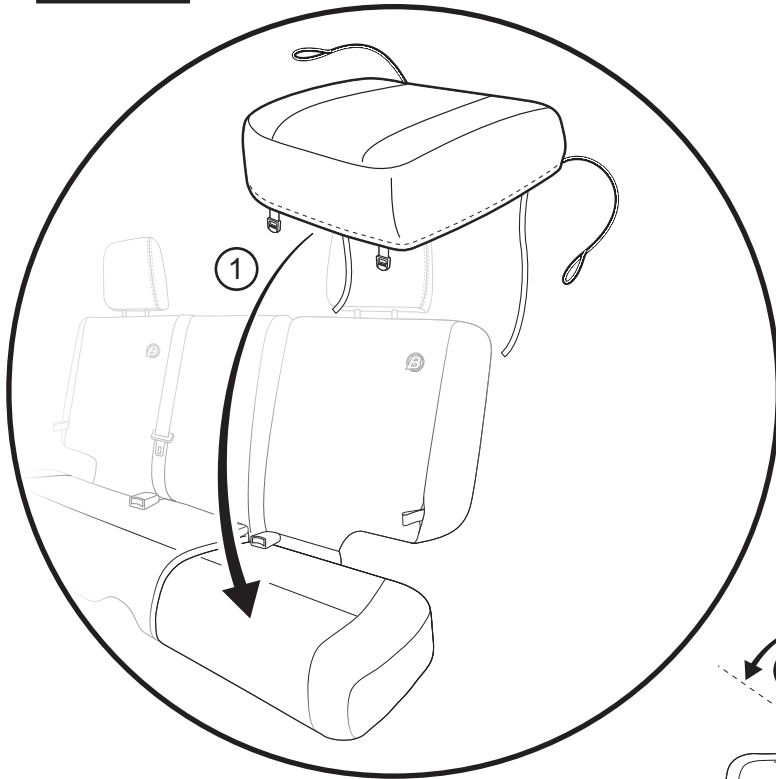
Move both seatbacks back to upright.



**Step 2**

- ① Tuck the flaps between the headrest posts underneath the seat covers at the rear. Close and secure the openings for the headrests with the mating hook-&-loop strips.
- ② Zip the seatback covers closed on both the Large and Small seatback covers.
- ③ Tuck the flaps coming between the seatbacks and seat bottoms under the bottom of each seatback cover. Snug the fit by pulling down on the seatback cover while lifting up on the flaps and pushing the hook-&-loop strips firmly together.

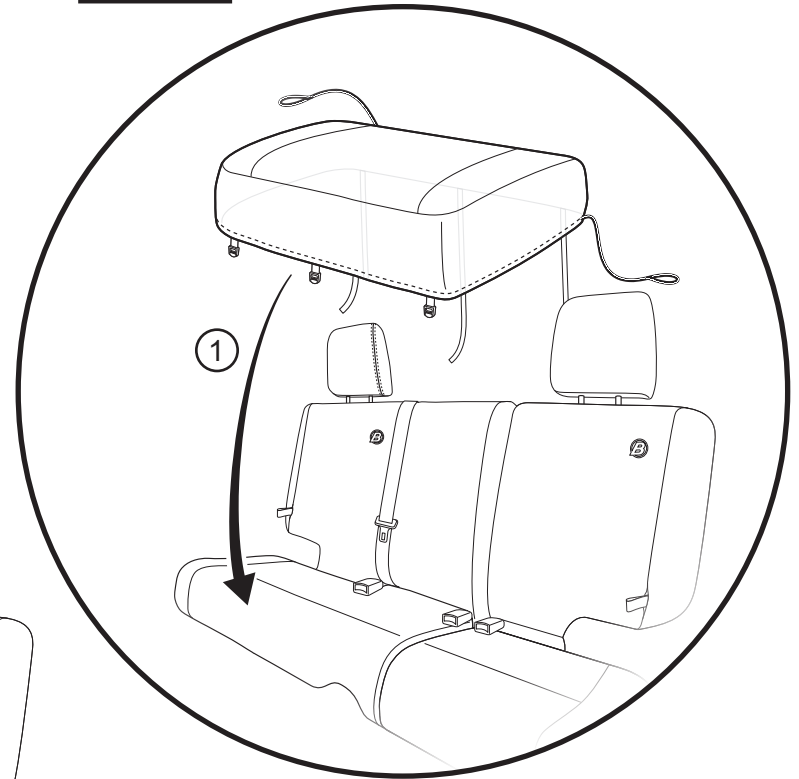
**Step 1**



**Step 1**

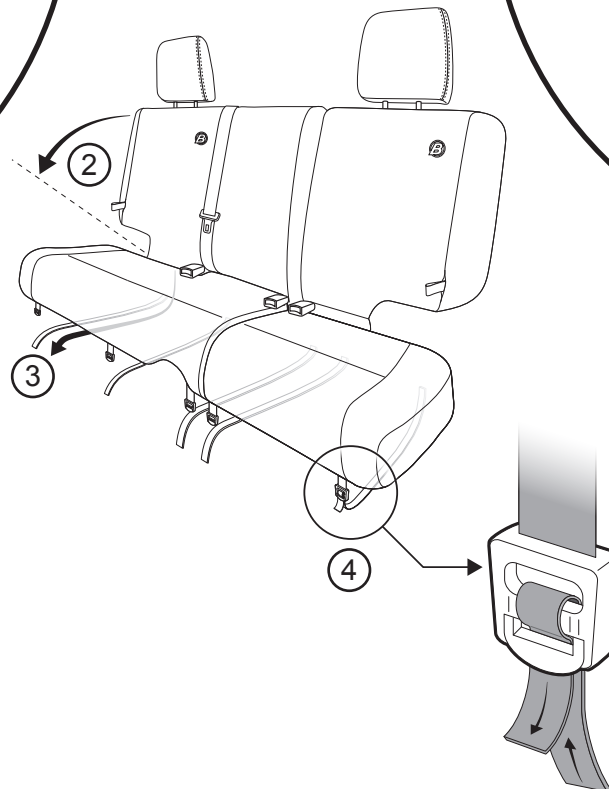
- ① Slip the Small seat bottom cover over the Small seat bottom.
- ② Tilt the seatback halfway forward, to open a space between the seatback and seat bottom.
- ③ Feed the straps through between the seatback and seat bottom, and bring toward the front under the seat.
- ④ Attach the 2 nylon straps at the front of the underside of the seat to the buckles. Give the straps a gentle tug to snug the covers.

**Step 2**

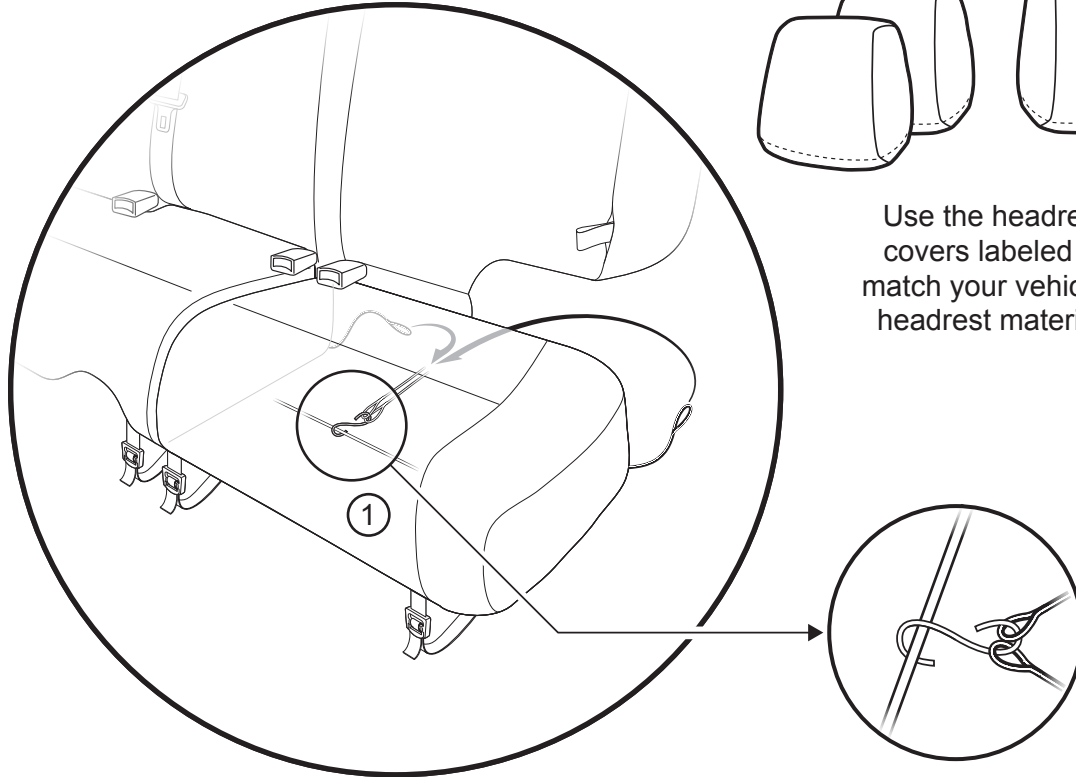


**Step 2**

- ① Slip the Large seat bottom cover over the Large seat bottom.
- Follow ② ③ and ④ from **Step 1** doing all the same things as you did on the Small seat bottom cover.



**Step 1**

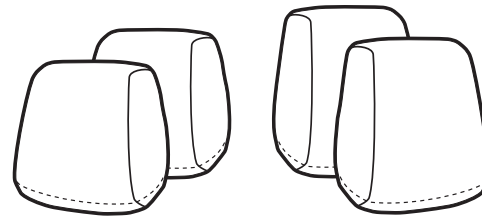


**Step 1**

① Attach the two ends of the elastic cords on the Small seat bottom cover to the closed end of one of the s-hooks.

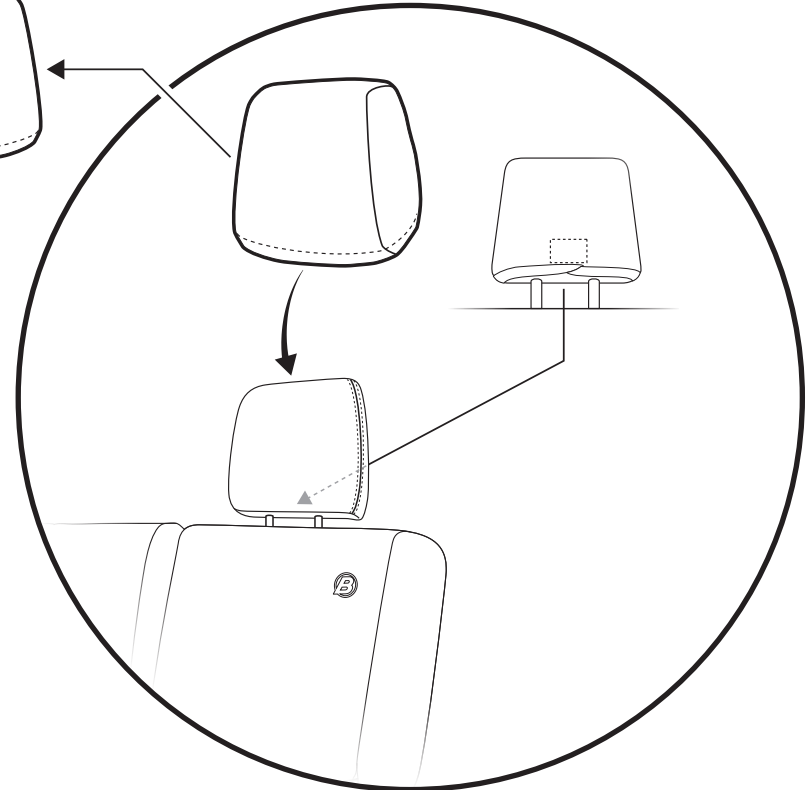
Attach the s-hook to a cross-member or wire underneath the seat, making sure to keep the cords away from the seat adjustment tracks.

Repeat this procedure for the elastic cords on the Large seat bottom cover.



Use the headrest covers labeled to match your vehicle's headrest material.

**Step 2**



**Step 2**

Select the correct headrest covers from the 4 headrest covers that come in the installation kit. Use the headrest covers labeled to match your vehicle's headrest material.

Wrap the headrest covers over the headrests, making sure that the crossed elastic edging and internal label are at the back of each headrest. Adjust the seams for a smoother appearance.



## Installation Instructions Seat Cover, Rear Kit

Vehicle Application:  
Wrangler Unlimited  
2008-2012  
Part Number 29281

---

### WASHING:

Your seat covers are machine washable. Wash separately in COLD water with 1/4 of normal amount of soap. Hang Dry.

### LIMITED WARRANTY

We warrant our product to be free from defects in material and workmanship, for the terms specified below, provided there has been normal use and proper maintenance. This warranty applies to the original purchaser only. All remedies under this warranty are limited to the repair or replacement of any item or items found by the factory to be defective within the time period specified.

If you have a warranty claim, first you must call our factory at the number below for instructions. You must retain proof of purchase and submit a copy with any items returned for warranty work. Upon completion of warranty work, if any, we will return the repaired or replaced item or items to you freight prepaid. Damage to our products caused by accidents, fire, vandalism, negligence, misinstallation, misuse, Acts of God, or by defective parts not manufactured by us, is not covered under this warranty.

THE WARRANTY TIME PERIOD IS AS FOLLOWS: ALL "SOFT GOODS" MANUFACTURED BY OUR COMPANY (USING PRIMARILY VINYLs, PLASTICS, AND/OR FOAM): ONE YEAR FROM DATE OF PURCHASE.

ANY IMPLIED WARRANTIES OF MERCHANTABILITY AND/OR FITNESS FOR A PARTICULAR PURPOSE CREATED HEREBY ARE LIMITED IN DURATION TO THE SAME DURATION AND SCOPE AS THE EXPRESS WRITTEN WARRANTY. OUR COMPANY SHALL NOT BE LIABLE FOR ANY INCIDENTAL OR CONSEQUENTIAL DAMAGE.

Some states do not allow limitations on how long an implied warranty lasts, or the exclusion or limitation of incidental or consequential damages, so the above limitations or exclusions may not apply to you.

This warranty gives you specific legal rights, and you may also have other rights which vary from state to state.