

# **Beta** **3061/2T**



**INSTRUCTIONS FOR USE**



- DECLARATION OF CONFORMITY

- We hereby state that the machine type




**MODEL 3061/2T**

*is in compliance with the rulls*



**2006/42/CE  
2006/42/EEC  
UNI EN1494**

**MILANO**

  
ROBERTO CICERI  
(President)

- Any tampering or change unauthorized by BETA UTENSILI shall immediately invalidate this statement.

# INSTRUCTIONS FOR USE



## ART. 3061/2T AIR JACK

### FOREWORD



Dear Customer, before using the jack, carefully read these instructions and become acquainted with the safety symbols.

- This handbook is an integral part of the machine which must be kept safely and be handy for the worker to consult whenever needed.
- The contents of this manual comply with Machine Directive 98/37 EEC and the jack is type approved in conformity with the European Norm EN 1494 and following amendments.
- The manufacturing company reserves the right to make modifications without prior notice and without incurring any sanctions whatsoever, without prejudice to the safety and main technical characteristics.
- Failure to observe the instructions may cause personal injury, which in some cases may be mortal.
- The manufacturer is not liable for any damage to things or injury to people caused by an erroneous or incorrect use of its product. The identification plate is on the side of the casing. **DWG. 1**

### SAFETY REGULATIONS

- Only authorised personnel are allowed to use the equipment and they must know the contents of this operating and maintenance handbook.
-  - The jack is an apparatus for lifting only and not for supporting, it is therefore absolutely forbidden to work in any way under the vehicle being lifted until it is placed on the relative stands. **DWG. 2**
- Before starting to lift a vehicle it has to be blocked with the parking brake and/or by putting wedges under the wheels, as illustrated in figure **DWG. 3**
- If the vehicle is loaded check load stability when lifting.
- Place the jack so that the load is centred over it and where the gripping points are indicated by the vehicle manufacturer. **DWG. 4**
- During lifting and lowering, it is necessary to check there are no persons or animals under the suspended load or in the vicinity.
  - Never lift loads on sloping, uneven or soft ground. **DWG. 6**
-  - If extensions are needed use only those supplied by the manufacturer with the jack. Do not use extensions without the relevant plate. Never use more than two extensions.
- Do not lift the load in a confined space so as not to run the risk of getting trapped.
- It is forbidden to use more than one jack simultaneously on the same load.
- Never tamper with the pressure relief valve that has the guarantee seal. **DWG. 5**

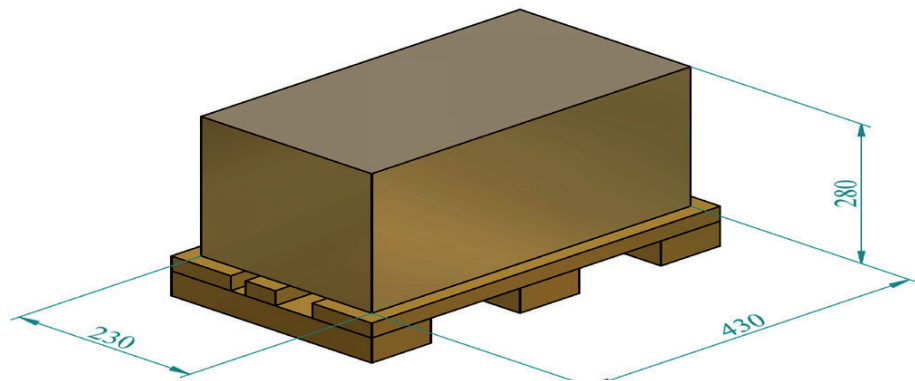
<b>COMPANY NAME</b>	
	Type:
	Capacity: Ton.
	Working air pressure: bar
	Year of manufacture:
	Serial number:
<b>Made in ITALY</b>	

	<b>DANGER!</b> BE PARTICULARLY CAREFUL
	<b>CRUSHING DANGER</b>
	<b>MANDATORY OPERATIONS OR JOBS TO BE PERFORMED COMPULSORILY</b>
	<b>FORBIDDEN!</b>

# INSTRUCTIONS FOR USE

## PACKING

- The body, handle and other parts of the jack are packed in a three-layer corrugated cardboard box with pallet; the operating and maintenance manual plus the warranty certificate in a folder are also inside the box.
- The instruction "Keep upright" is clearly visible on the cardboard box containing the jack.
- Depending on the number of jacks shipped, pallets of different sizes are used.
- Either transpallets or forklift-trucks are used for handling.



## PUTTING INTO OPERATION

### CONNECTION TO THE COMPRESSED AIR SYSTEM

- Compressed air enters into the jack circuit through the quick coupling on the top of the manual lifting/ descending controls; it is therefore necessary to have a connecting pipe with a quick coupling compatible with that of the jack. Check that the air supply pipe has a useful passage of at least 6 mm and it is not pinched or restricted anywhere. **DWG. 7**

### WORKING AIR PRESSURE: 8 - 10 BAR

- Absolutely never put the following into the compressed air circuit: hydraulic or Vaseline oil, brake liquid, kerosene or other liquids.
- Install a filter dehumidifier-lubricator unit in the compressed air system.
- If you want to lubricate the compressed air circuit use exclusively:

**AGIP OSO 100; MOBIL DTE 27; ESSO TERESSO 100;  
SHELL TELLUS 100; BP ENERGOL HP 100**

# INSTRUCTIONS FOR USE

## ACCESSORIES

- The jack can be supplied with two extensions or height adaptors (long extension 100 mm, short extension 50 mm.)



**NEVER USE MORE THAN TWO EXTENSIONS!**

**THE MANUFACTURER IS NOT LIABLE FOR ANY DAMAGE RESULTING AS A CONSEQUENCE OF DISREGARD FOR THE ABOVE INDICATIONS AND THE WARRANTY CONDITIONS ARE INVALIDATED THEREOF!**

## SCRAPPING AND DISPOSAL

- The lubricants must be disposed of in compliance with the anti-pollution laws in force.
- Scrapping the jack and its component parts must be carried out by the user in accordance with current laws.

## USE

- Expressly observe the safety rules already described in this manual.

1. Position the jack under the supports as described in the manual of the vehicle.



the manufacturing company is not responsible for any break or damage to the lifted vehicle or to persons or property due to an incorrect use of the jack.

2. Press the right key on the distributor box for lifting. **DWG. 8**

3. Press the left key on the distributor box for lowering.

- After lifting the load, it is absolutely essential to rest it on the support stands before doing any work under it.



**REMEMBER THAT THE JACK IS A LIFTING DEVICE AND NOT A SUPPORTING DEVICE!!**

- The operator's employer will have to provide the necessary training and furnish the necessary information about the pumping and shifting forces.

- **Before working with the jack, it is advisable to perform a few operations with no load in order to acquire the sensitivity necessary to work safely with the jack.**

## IMPROPER USE

The air-hydraulic jack has been designed and made to lift transport vehicles. Any other use of the jack, such as for instance lifting and/or moving persons, is considered to be definitely improper.

Any use of the jack not in conformity with the safety rules listed in this manual is considered to be improper use.

# INSTRUCTIONS FOR USE

## MAINTENANCE JOBS FOR THE END USER

- The jack requires no particular maintenance. However, do control the condition of the balloon diaphragm periodically, making sure there are no cracks or cuts. If cracks or cuts are found replace the balloon, contacting an authorised assistance centre.

## TECHNICAL DATA SHEET

Working air pressure	8-10 bars	Weight	13kg
Operating temperature	-20°C a +50°C	Max. Stroke	194mm
Chamber volume		Capacity	2 t

