



P/N 77930/BLK77930 Power Steering Reservoir

Tools Needed;

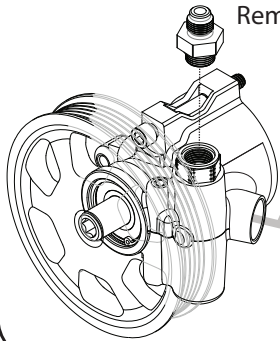
- 1" open end wrench or adjustable wrench
- 1/2" open end wrench
- Loc-Tite Blue Threadlocker
- 1" deep socket
- 7/8" deep socket
- 1/4" allen wrench
- 9/64" allen wrench

If your application is not listed below...
Do Not Attempt To Install This Kit

This kit fits the following applications;
-Small Block Chevrolet Tru Trac and V-Trac
-Big Block Chevrolet Tru Trac and V-Trac

It is not necessary to remove the powersteering pulley to install the reservoir.

1



Remove the upper pressure nipple and set aside.

For kits with the RP1300 flow control valve installed, Remove the RP1300, plunger and spring. Set aside.

REMOVE

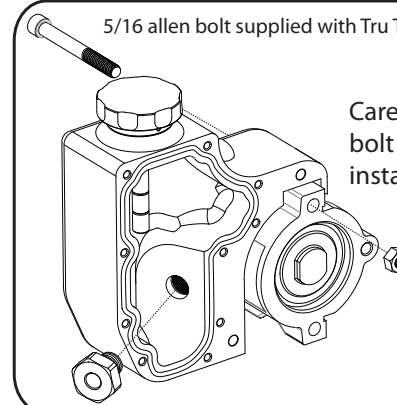
Remove the threaded supply nipple, o-ring and washer.

INSTALL

Select the correct size threaded supply nut. Install with o-ring and washer. Tighten firmly.

5/16 allen bolt supplied with Tru Trac or v Trac kit

2

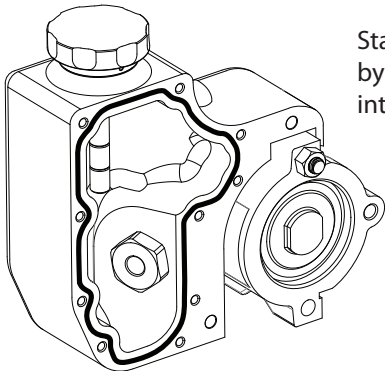


Carefully place reservoir onto pump, thread the 5/16" bolt through the reservoir and pump. Install the 5/16" installation nut and **finger tighten**.

Thread the hex bolt with o-ring installed through reservoir and into adapter fitting on pump. Tighten installation nut at this point. Finish by firmly tightening hex bolt locking the reservoir into place.

Starting at the top, install o-ring as shown by pressing o-ring straight down directly into groove.

3

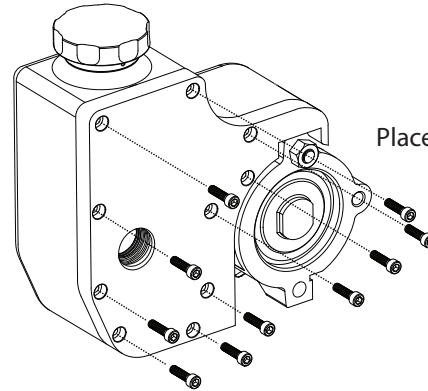


O-ring should seat into groove without any extra length hanging out.

Re-install o-ring if there is any additional slack.

Place the reservoir back cover onto the reservoir.

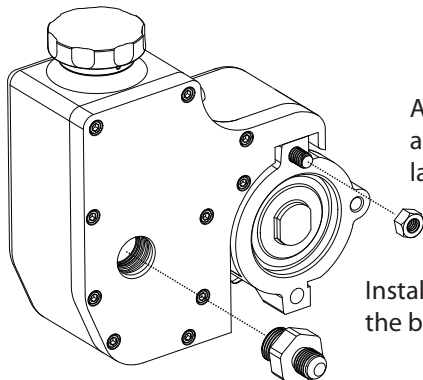
4



Apply Blue Loc-Tite to the threads of the ten 8-32 cap screws and install through the cover and into reservoir. Tighten firmly.

At this time remove the 5/16" installation nut and discard. Set the 5/16" allen bolt aside for later use.

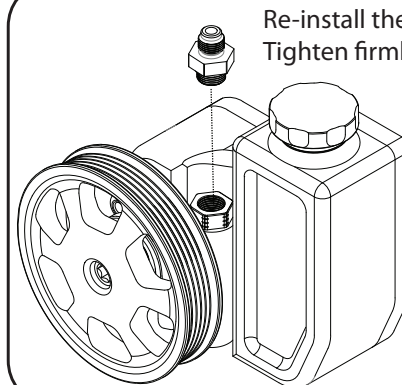
5



Install the -6 AN nipple fitting with o-ring into the back cover and tighten firmly.

Re-install the upper pressure nipple at this time. Tighten firmly.

6



For pumps that have a RP1300 flow control valve installed, install spring first followed by the plunger - screen side down before the RP1300.

Install pump and reservoir onto the Tru Trac or V-Trac system bracket with the 5/16"X3" allen bolts and loc washers. Install power steering lines, fill system with fluid and bleed.