

E4-WM5-Y172A00

MOUNTING INSTRUCTION



Removal:

Place vehicle on a chassis hoist, lift it and remove wheels.

The lower control arm must be supported by suitable means!

Release bottom steering arm/ ABS line/ stabilizer/ brake hose and headlight range adjustment sensor (Xenon).

Remove bottom mount and top fixing nut from support bearing. Do not remove center nut at this time!

Remove complete shock absorber and clamp it in an appropriate strut vise.

Using a suitable spring compressor, compress suspension spring until tension on support bearing is released.

Release center nut and remove original mounting parts and coil spring. Please refer to diagram to identify which parts will be replaced with BILSTEIN- supplied components.

Install:

Assemble BILSTEIN and/ or original mounting parts on the BILSTEIN shock absorber in reverse sequence of removal.

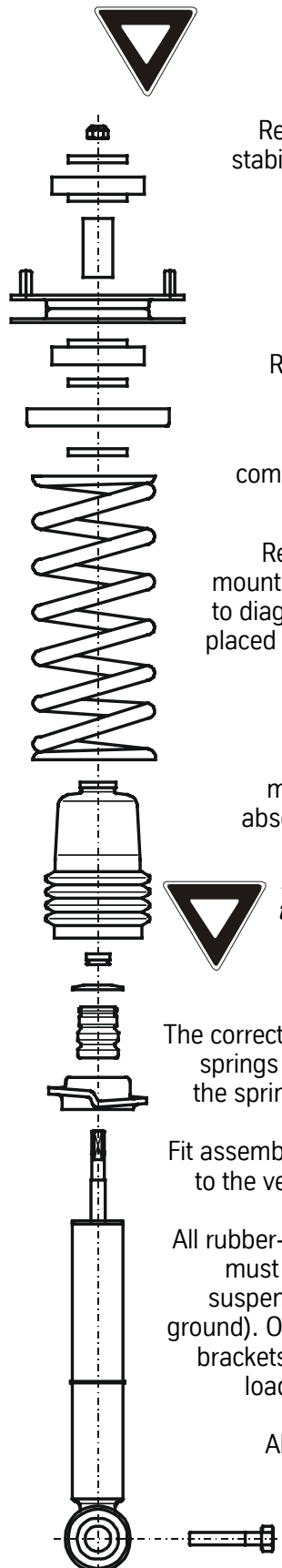
Before releasing the spring, care is to be taken to ensure that the ends of the spring rest in the cutouts of the top and bottom spring plates.

The correct mounting position of the suspension springs can be determined by the printing on the springs; install them with the print upright.

Fit assembled shock absorber- spring assembly to the vehicle in reverse sequence of removal.

All rubber- mounted strut/ damper attachments must not be fully tightened until AFTER the suspension system is loaded (wheels on the ground). Other mounting fasteners (for example brackets) must be securely tightened BEFORE load is placed on the suspension system.

All self- locking nuts must be replaced. Tightening torques see list.

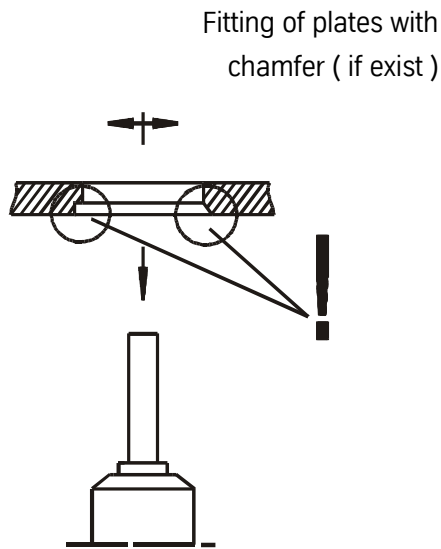


E4-WM5-Y172A00

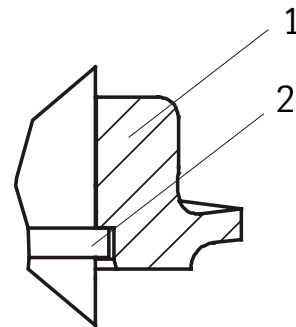
MOUNTING INSTRUCTION



ALL DIAGRAMS ARE GENERALIZED
AND NOT TO SCALE!
BRACKETS, ETC. SPECIFIC TO
STRUT ARE NOT SHOWN!



When fitting the spring plate (1) care must be taken to ensure that the circlip ring (2) is seated correctly!



| | M8 | M 10 | M 12 | M 14 | M 16 | List |
|--|----|------|------|------|------|--------------|
| | | | | | | Thread |
| | 13 | 25 | 45 | 72 | 110 | Torque Nm |
| | 10 | 19 | 34 | 54 | 83 | Torque ft lb |

DO NOT USE IMPACT TOOLS FOR LOOSENING OR TIGHTENING FASTENERS, BECAUSE THIS MAY DESTROY THE THREADS. SELF- LOCKING NUTS MUST ONLY BE **USED ONCE!**