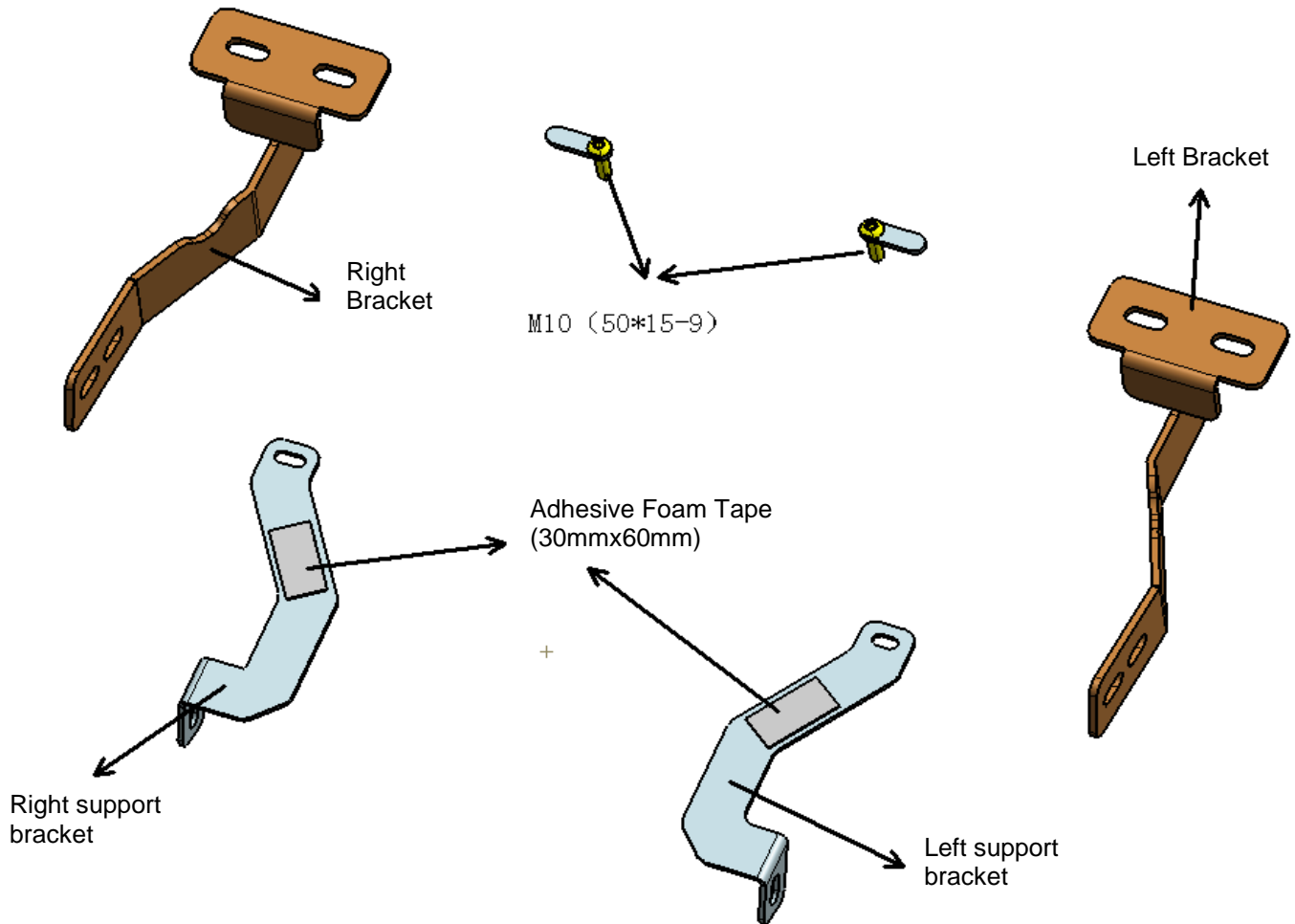




INSTALLATION INSTRUCTIONS
BLACK MODULAR GRILLE GUARD FOR HONDA PILOT 2016+
PART # 17H151402MA

PARTS LIST:

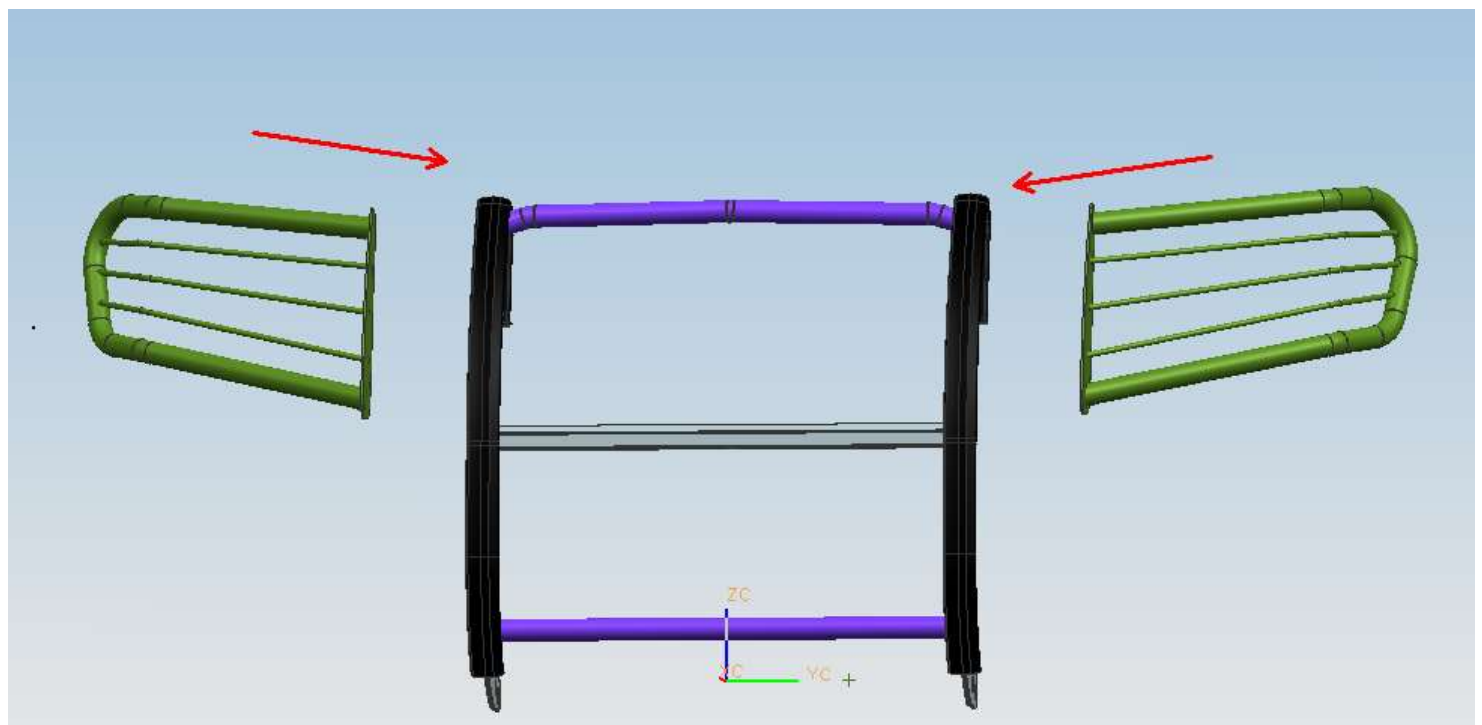
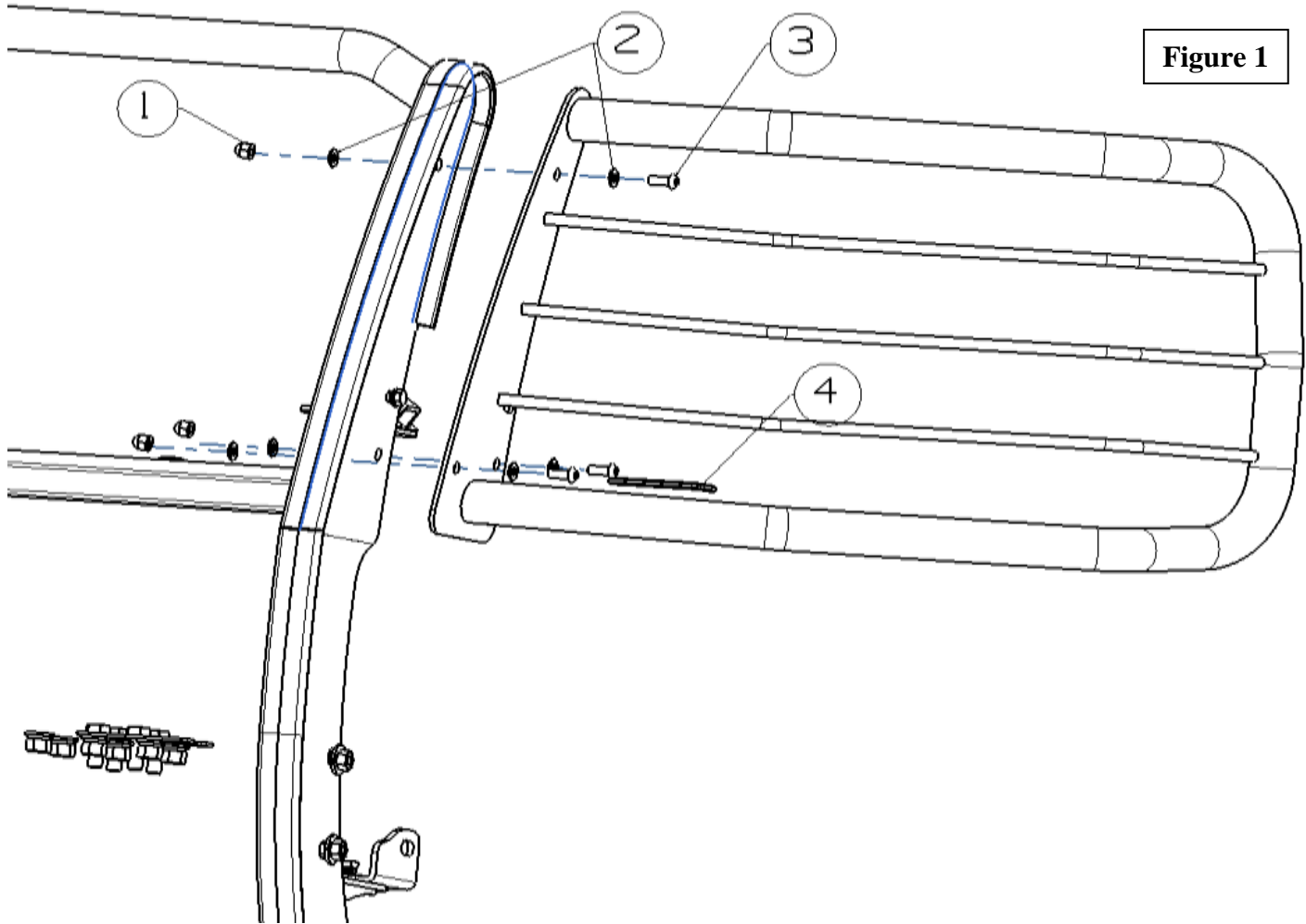
Qty	Description	Qty	Description
8	Flat washer D8 (8x24x2mm)	4	Spring washer D12
4	Hex bolt M8_25	2	Hex bolt M10_35
4	Spring washer D12	1	Allen wrench S=5
4	Cap nut M8	2	Hexagon jam nut M10
1	Allen wrench S=6	2	Hex nut M10
4	Hexagon jam nut M12	6	Flat washer D10(10x30x2.5mm)
8	Flat washer D12_32_3	4	Hexagon bolt M12_40



Step1. Left and right brush guard installation. PARTS:

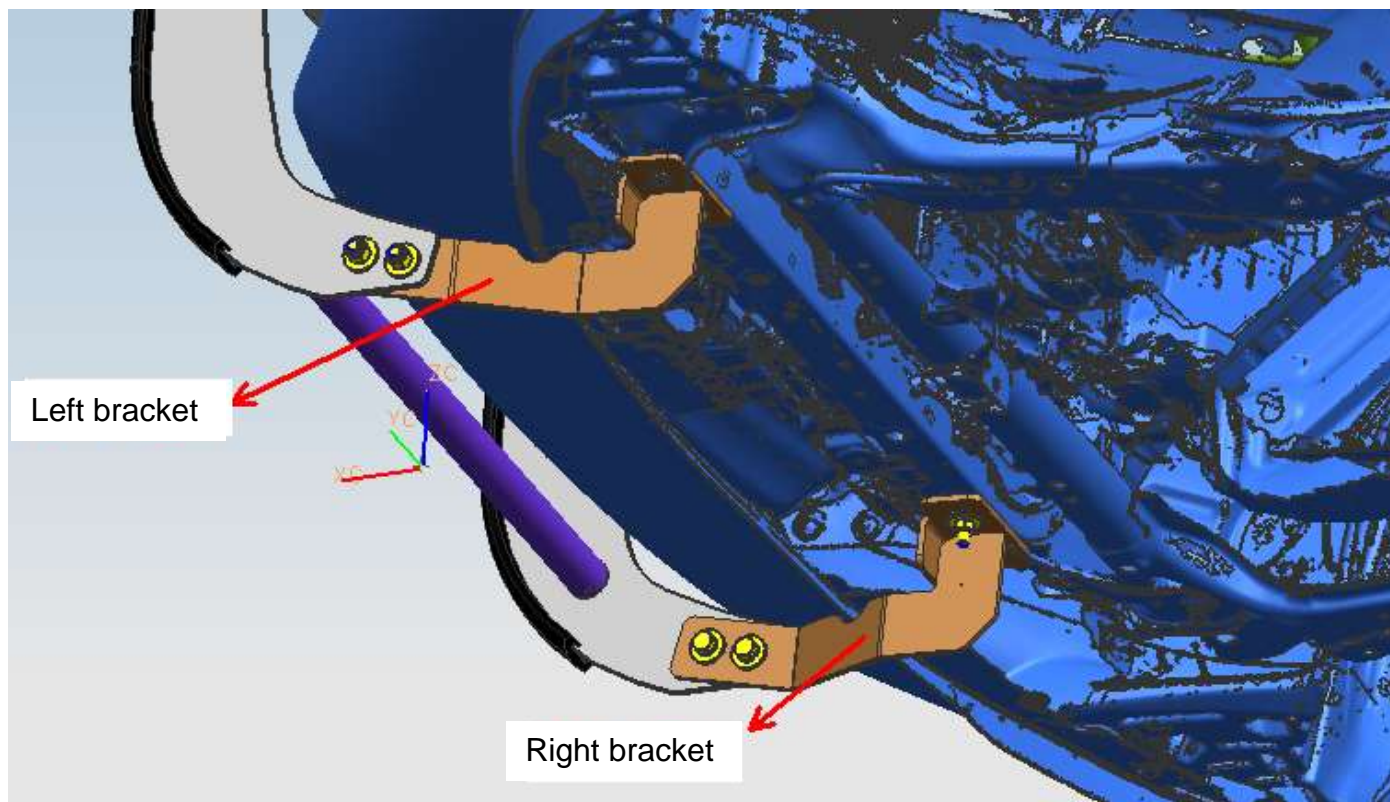
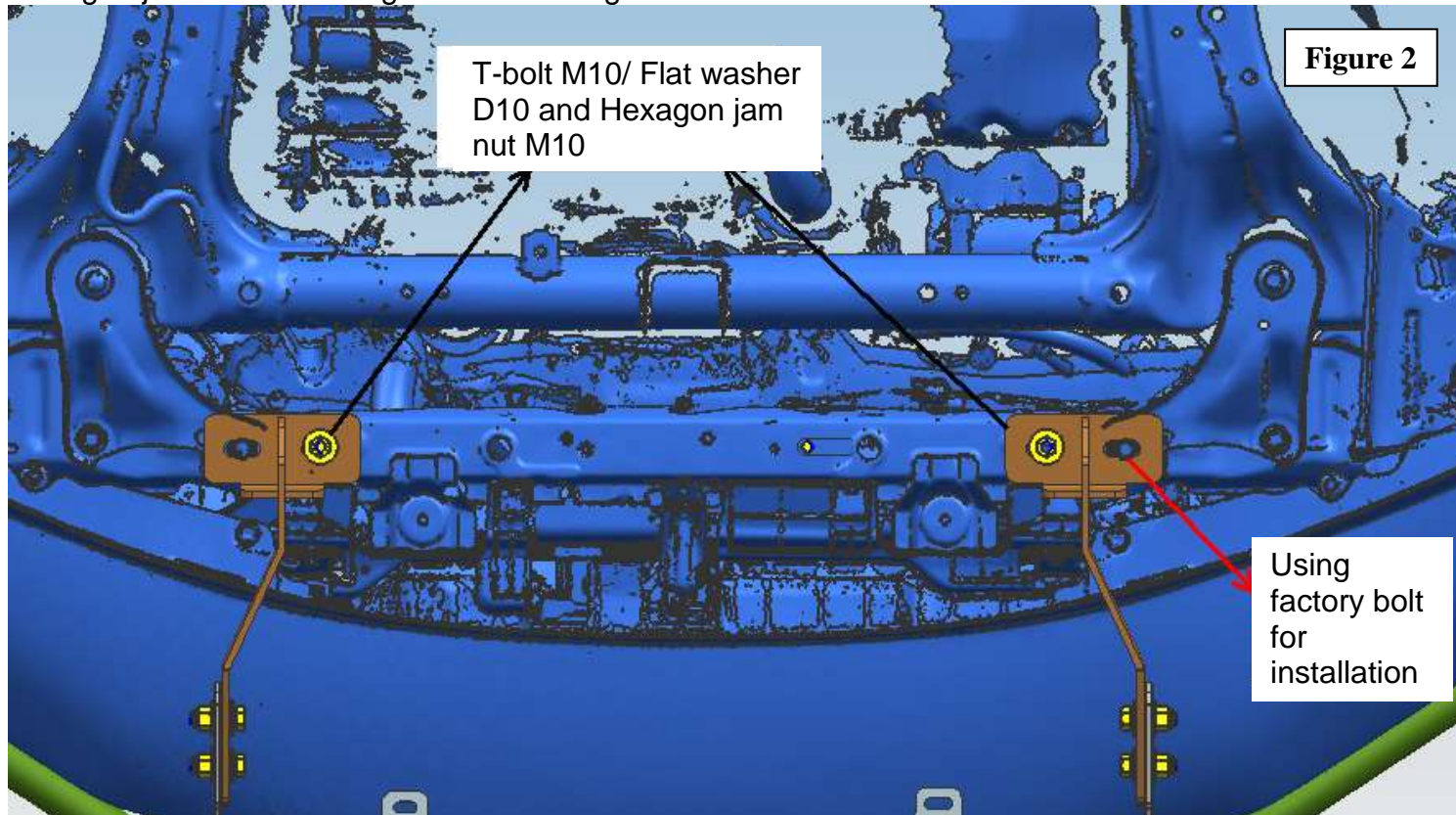
①	Cap nut M8	4
②	Flat washer D8	8
③	Hex bolt M8_25	4
④	Allen wrench S=5	1

Install left and right brush guard on the front guard as figure 1. Tighten all the bolts.

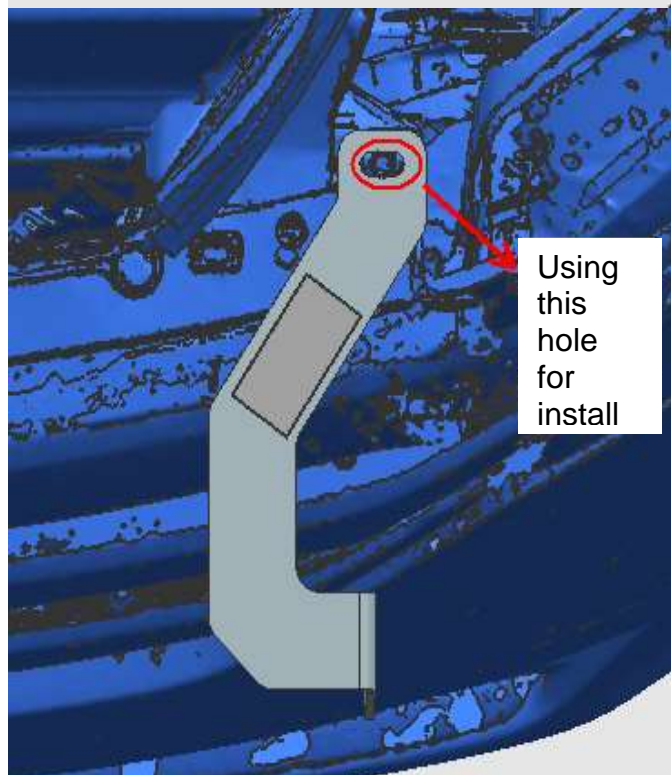
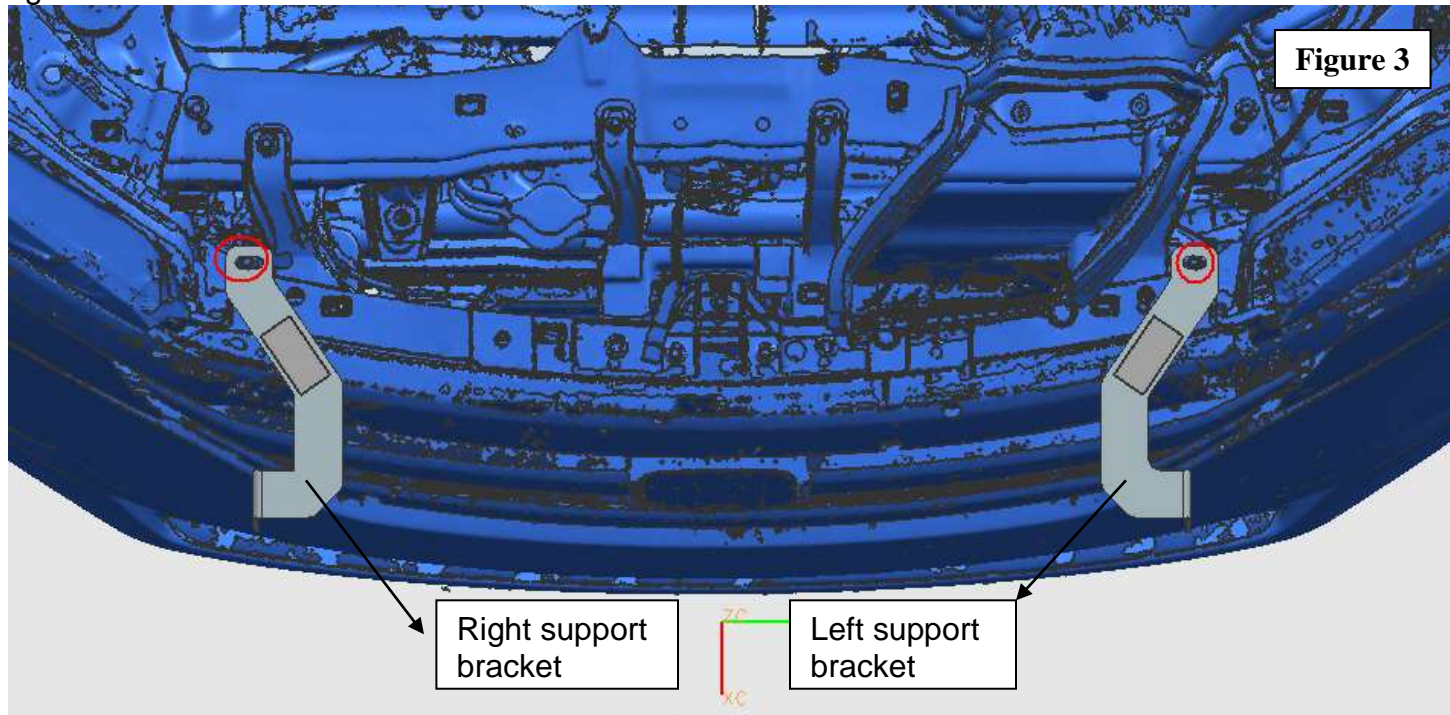


Step 2. Brackets installation.

A. Remove the bottom fender guard, install left and right brackets with T-bolt M10/ Flat washer D10 and Hexagon jam nut M10 as figure 2. Do not tighten all the bolts.



B. Open the engine cover, install left and right support brackets with factory bolts as figure 3. Do not tighten all the bolts.



C. Test and make sure that the guard is steadily fixed, and then tighten all the hardware. Installation is finished.

