



INSTALLATION INSTRUCTIONS

**PART#: 17TO23MSS\17TO23MA
MODULAR GRILL GUARD FOR TOYOTA TACOMA 01-04**

QTY	DESCRIPTION
1	guard, center section
1	brush guard, left side
1	brush guard, right side
1	wire guard insert, left side
1	wire guard insert, right side
1	lower support bracket-left
1	lower support bracket-right
1	hardware kit

NOTE: Please read this information before assembling. Check components received with components listed above. **NO DRILLING REQUIRED.** Complete step by step instruction sheets will be found on the following pages.

- 1st. Stage, mounting of guard to vehicle.
- 2nd. stage, attaching brush guards to center section.
- 3rd . stage, attaching wire head light guards.

IMPORTANT: To obtain correct installation, we recommend you to follow these step by step instructions carefully.

Illustrations are for reference only, styles vary with application. Please review the instruction sheet before proceeding to assemble product.

Please take care when assembling and installing this product to protect the finish and your investment. To protect your investment, wax this product after installing. Regular waxing is recommended. Do not use any type of polish or wax that contains abrasive that could damage the finish.

INSTALLATION INSTRUCTIONS

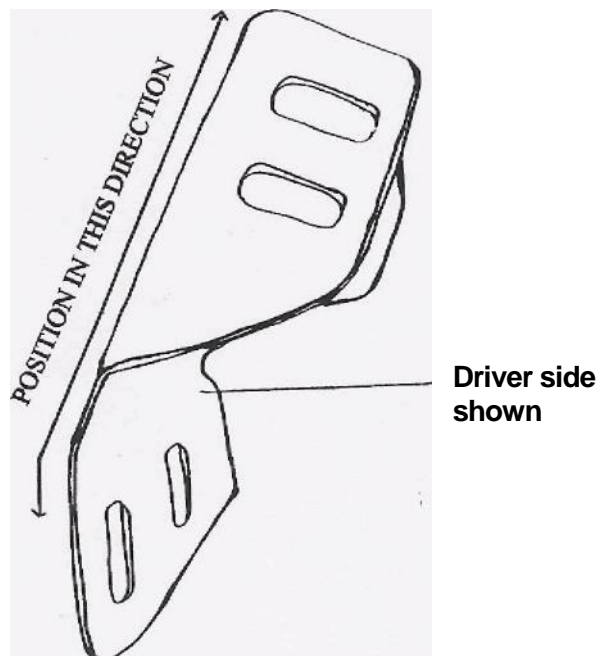
1ST STAGE

PARTS LIST:

Qty	Description	Qty	Description
2	Frame Mounting Brackets	2	10*30mm Hex Bolts
2	Top Support Bracket	4	10mm Nylock Nut
8	12*30mm Hex Bolts	8	10mm Flat Washers
8	12mm Nylock Nuts	2	10*90mm Hex Bolts
6	12mm Flat Washers		

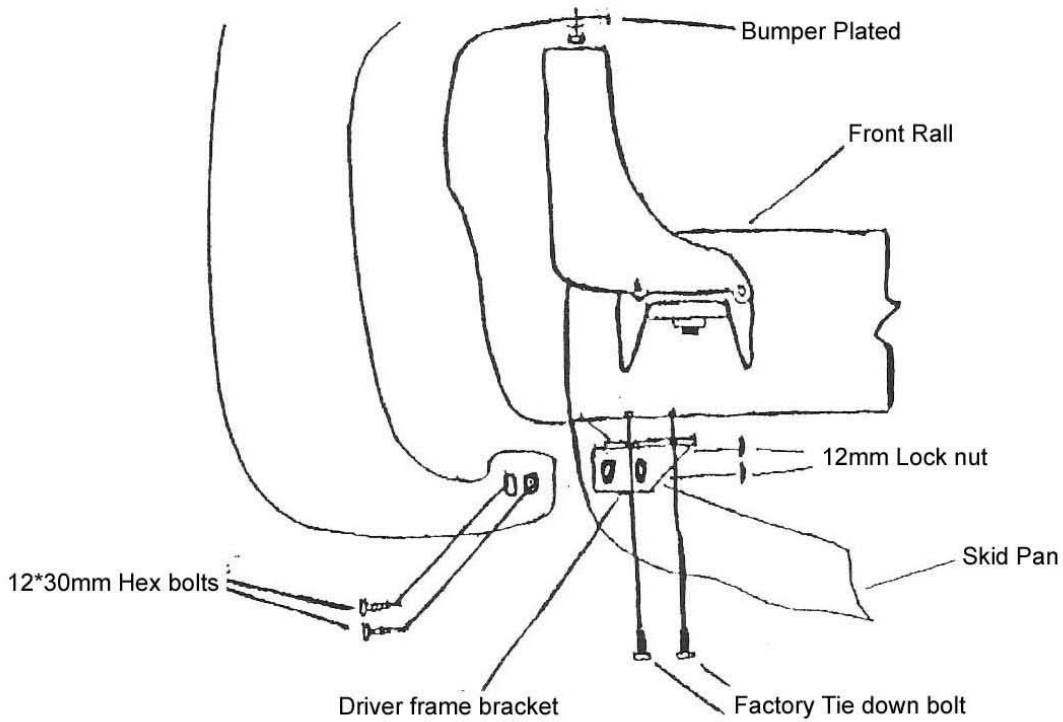
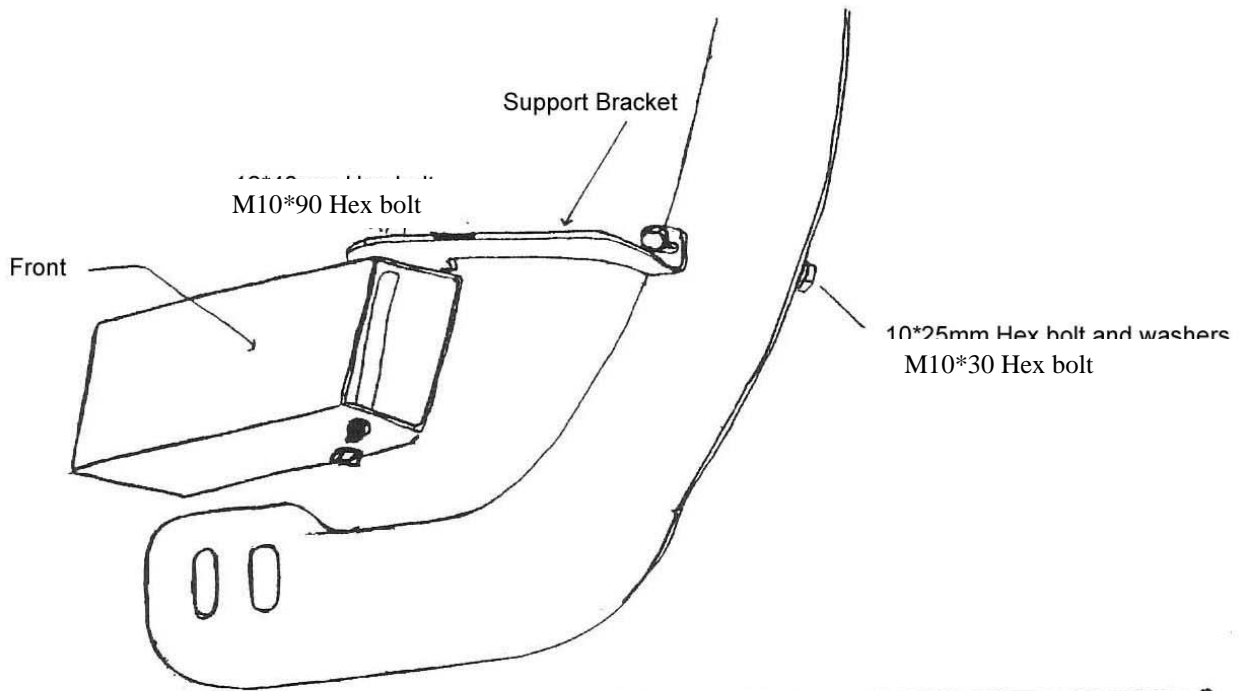
PROCEDURE:

1. Remove tie down from bottom of driver side frame rail.
2. using bolts from tie down, attach driver side frame bracket to bottom of frame . Do not secure
- 3 .remove tow hook and tie down from bottom passenger side frame rail
4. using bolts along with tow hook remove in step 3, attach Passenger side frame bracket to bottom of frame, do not secure
5. attach the front bar. Assembly to the outside of lower frame brackets
6. using 12*30mm hex bolts, 12mm hex nuts and washers
7. align front bar assembly with front of vehicle. And secure. All bolts and nuts



NOTE: BRACKETS SHOULD BE OVER SKID PLATE

Driver side support bracket show



Installation View of Driver Side

(Note: Feame brackets show be space out 27.75" from out side out side)

Pictures are only for reference.

INSTALLATION INSTRUCTION

2nd STAGE

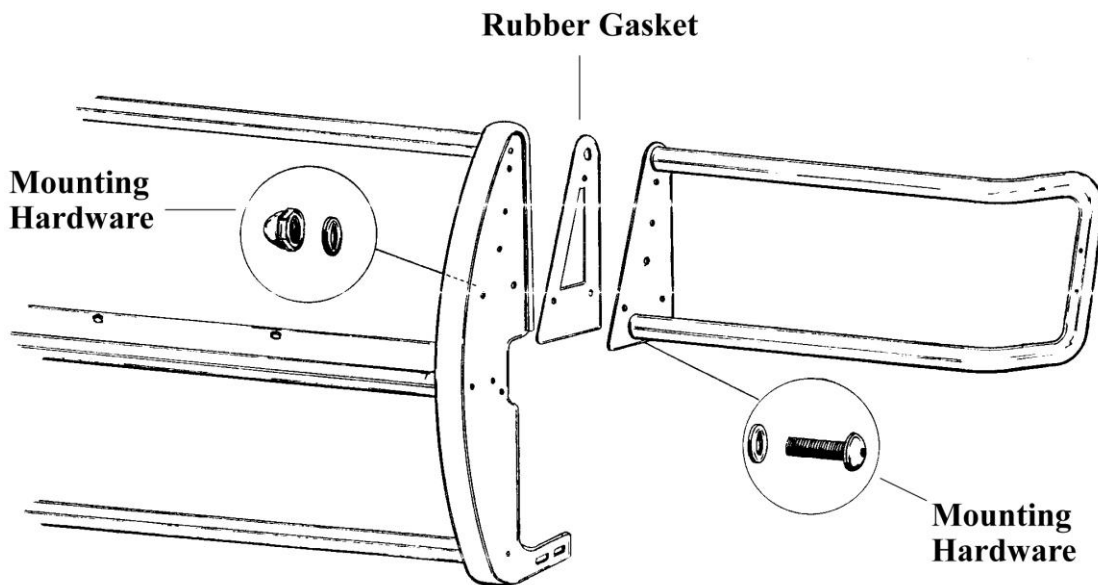
Step One: Locate hardware. Check contents with the hardware listed below.

QTY	DESCRIPTION
6	M8-1.25 x 20 button head bolts, stainless steel
6	M8-1.25 acorn nuts, stainless steel
12	M8 flat washers, stainless steel
2	rubber gaskets

Step Two: Securing brush guards to center section. Locate the following item's listed below.

QTY	DESCRIPTION
1	brush guard, left side
1	brush guard, right side

Assemble the brush guards to the center section of the guard as shown in illustration below. Use the hardware from step one to secure the parts together. Be sure to fully tighten all hardware at this time. Proceed ahead to stage four of the instruction sheet.



INSTALLATION INSTRUCTION

3rd STAGE

Step One: Locate hardware. Check contents with the hardware listed below.

QTY	DESCRIPTION
8	M6-1.00 x 25mm button head bolts, stainless steel
4	M6-1.00 acorn nuts, stainless steel
12	M6 flat washers, stainless steel
4	rubber gaskets

Step Two: Securing wire insert to brush guards. Locate the following item's listed below.

QTY	DESCRIPTION
2	wire guard insert, left & right side

Attach one rubber gasket to each end of the wire guard. Peel the paper backing off the rubber gasket. Place the gasket on the end of the bracket and press firmly till the gasket is secured in place.

Position the wire insert on the driver's side of the vehicle. Align the two holes in the bracket with the two holes in the brush guard as shown in illustration below. Using the hardware listed in step one, secure the wire insert to the brush guard. Be sure to fasten both ends before fully tightening hardware. Repeat this procedure on the opposite side of the vehicle. Be sure to use all hardware supplied and tighten all bolts.

