



INSTALLATION INSTRUCTIONS

BLACK MODULAR GRILLE GUARD FOR FORD EXPLORER 2020

PART #17FJ31MA

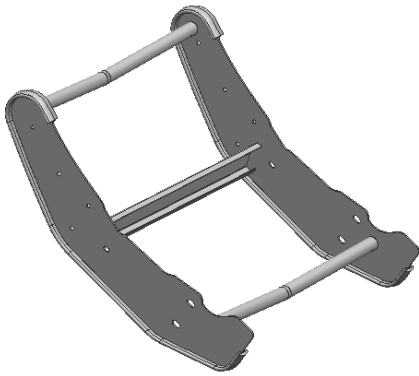
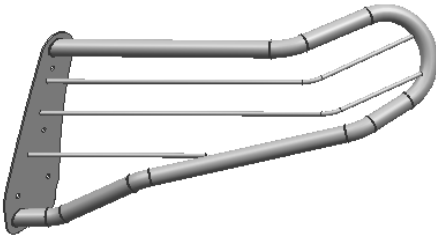
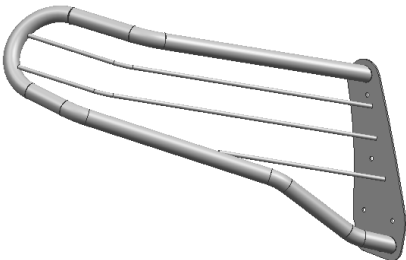
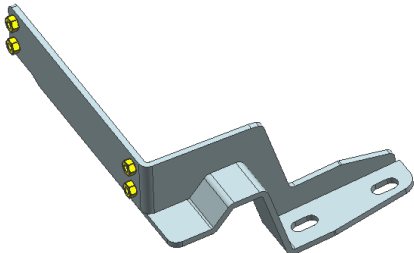
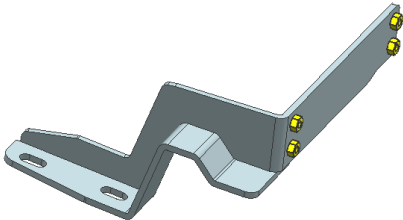
Before Installation

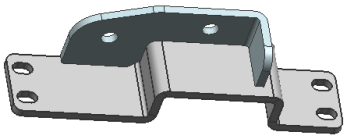
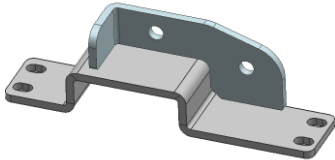
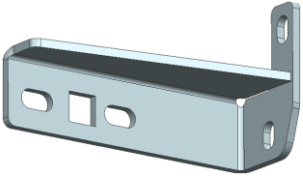
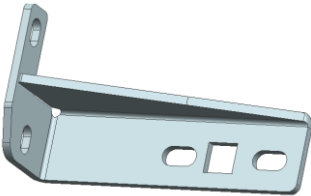
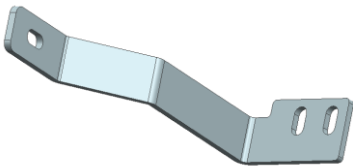
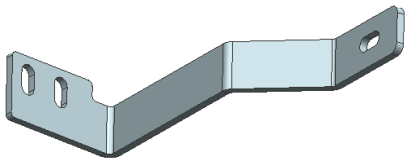
- Please read the instruction completely for easy installation, which will also help you to avoid scratches or other potential damages to your appealing car.
- The figures here are for reference only and may have differences with the actual product you received, however they share the same assembly way.

Care and Cleaning

- Mild soap may be used also to clean the Product.
- Please periodically check and retighten all the hardware and clean the investment for a refresh look.

Parts list

NO.	QTY	PIC	NO.	QTY	PIC
①	1	 <p>Front Guard</p>	②	1	 <p>Left Brush Guard</p>
③	1	 <p>Right Brush Guard</p>			
④	1	 <p>Lower Bracket (L)</p>	⑤	1	 <p>Lower Bracket (R)</p>

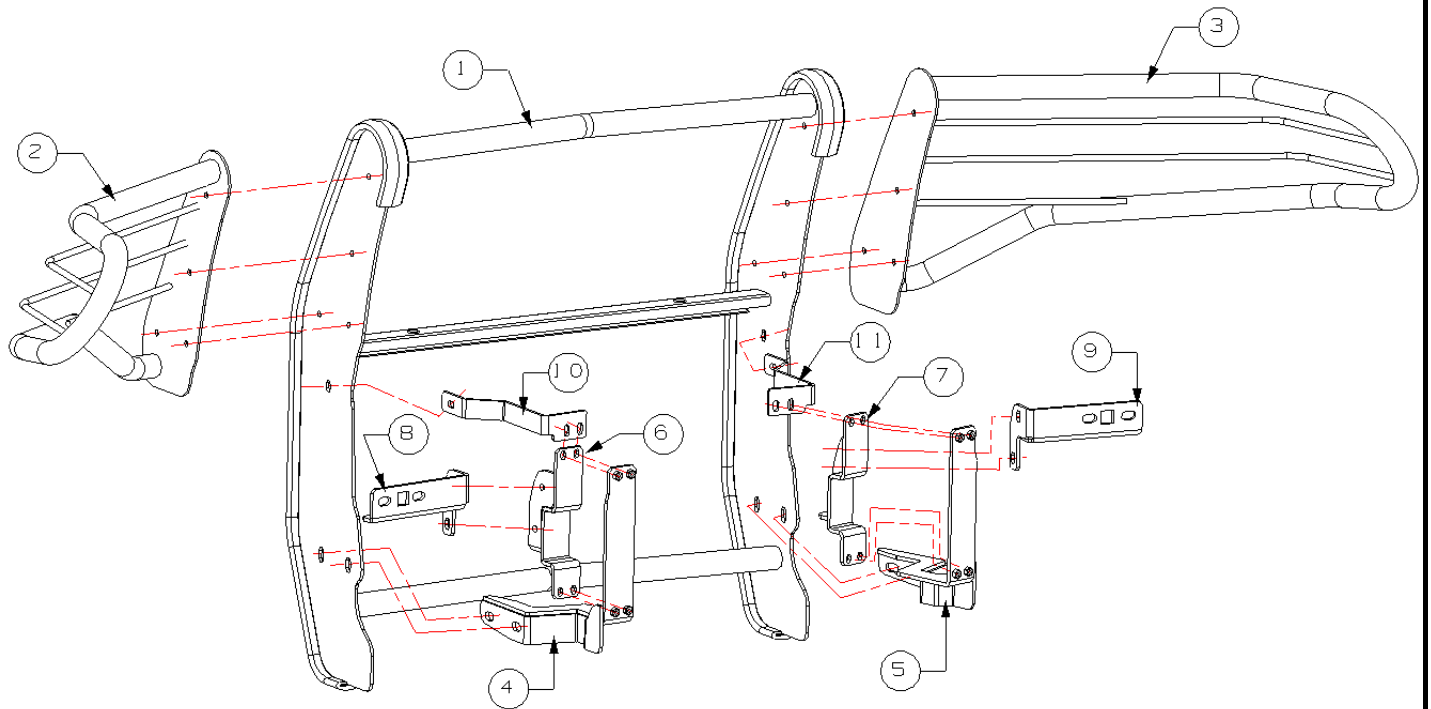
⑥	1		⑦	1	
		Upper Bracket (L)			Upper Bracket (R)
⑧	1		⑨	1	
		Bottom Support Bracket (L)			Bottom Support Bracket (R)
⑩	1		⑪	1	
		Top Support Bracket (L)			Top Support Bracket (R)

STANDARD PARTS LIST:

NO.	NAME	QTY	NO.	NAME	QTY
⑫	Hex Button Head Bolt M8_25	8	⑳	Hex Lock Nut M10	2
⑬	Hex Bolt M8_35	8	㉑	Hex Flange Nut M10	4
⑭	Spring Washer D8	8	㉒	Hex Button Head Bolt M12_40	4
⑮	Flat Washer D8(8x24x2mm)	17	㉓	Hex Bolt M12_40	4
⑯	Flat Washer D8(8x16x1.6mm)	8	㉔	Spring Washer D12	8
⑰	Hex Lock Nut M8	8	㉕	Flat Washer D12(12x37x3mm)	12
⑱	Hex Button Head Bolt M10_35	2	㉖	Hex Nut M12	4
㉑	Hex Bolt M10_35	4	㉗	Hex Flange Nut M12	4
㉒	Spring Washer D10	6	㉘	Allen Wrench S=5	1
㉓	Flat Washer D10_27_3	4	㉙	Allen Wrench S=6	1
㉔	Flat Washer D10(10x20x2mm)	4	㉚	Allen Wrench S=8	1

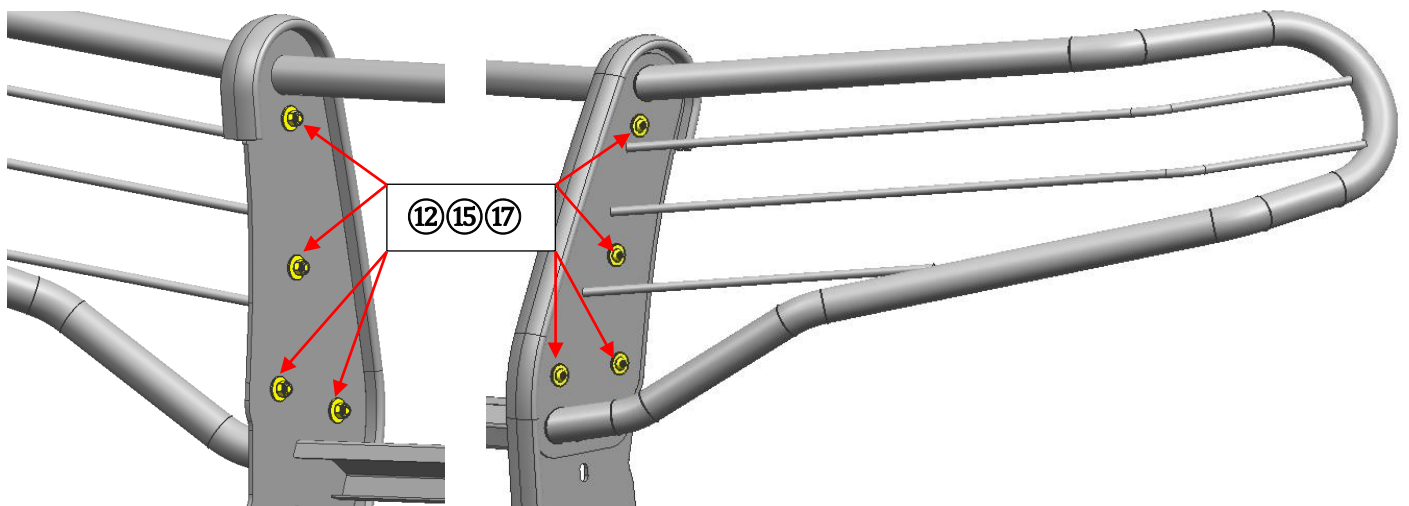
Installation Steps

INSTALLING PICTURE

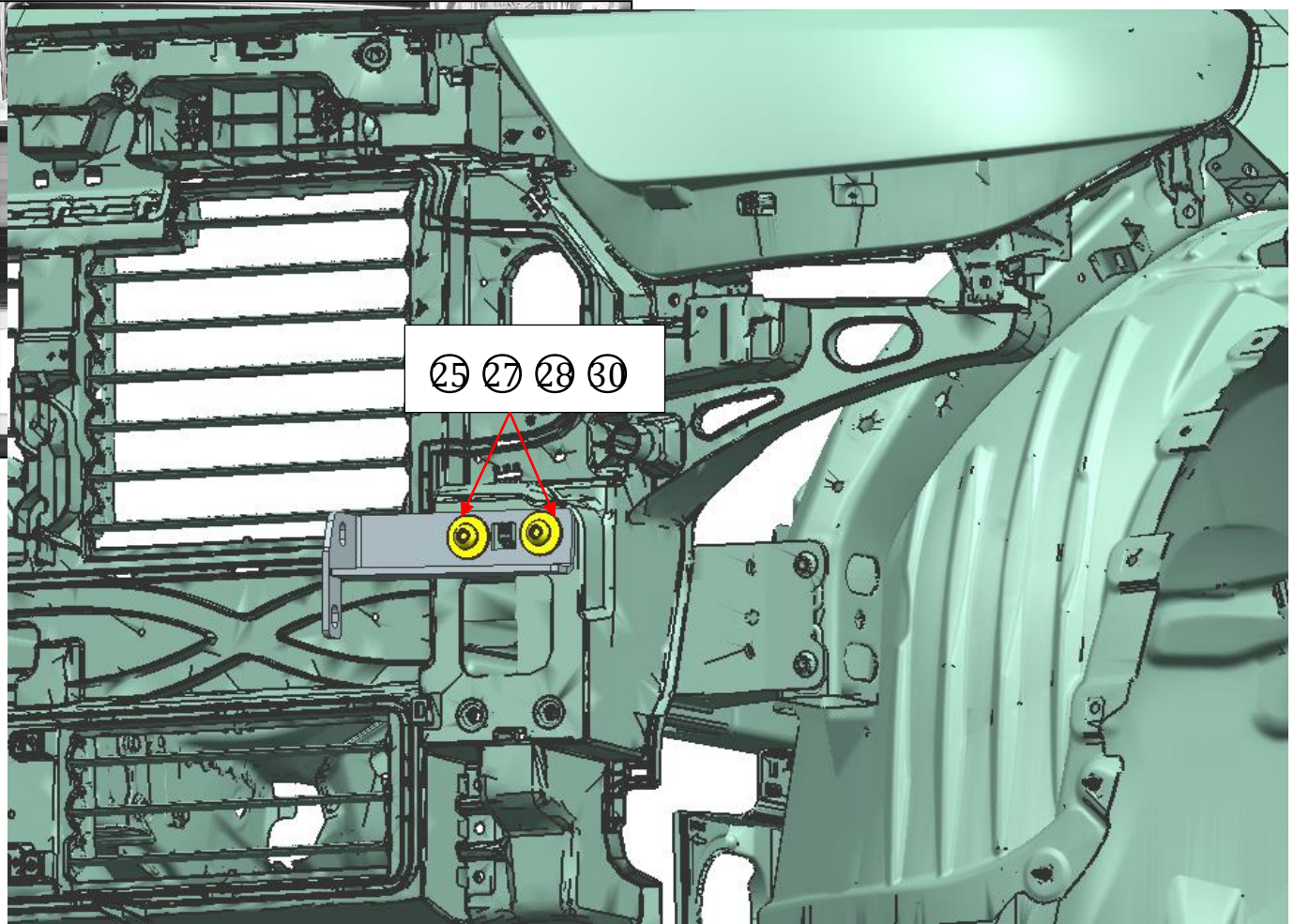


PROCEDURE:

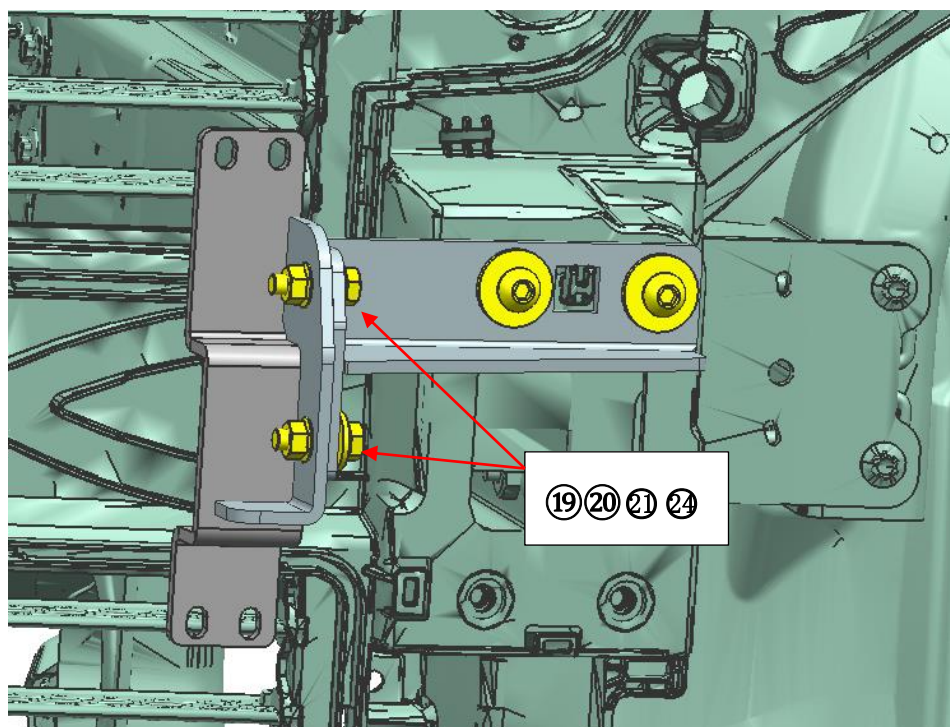
Step 1: Install Brush Guards and Front Guard with standard parts ⑫⑮⑰ as below figure shows.



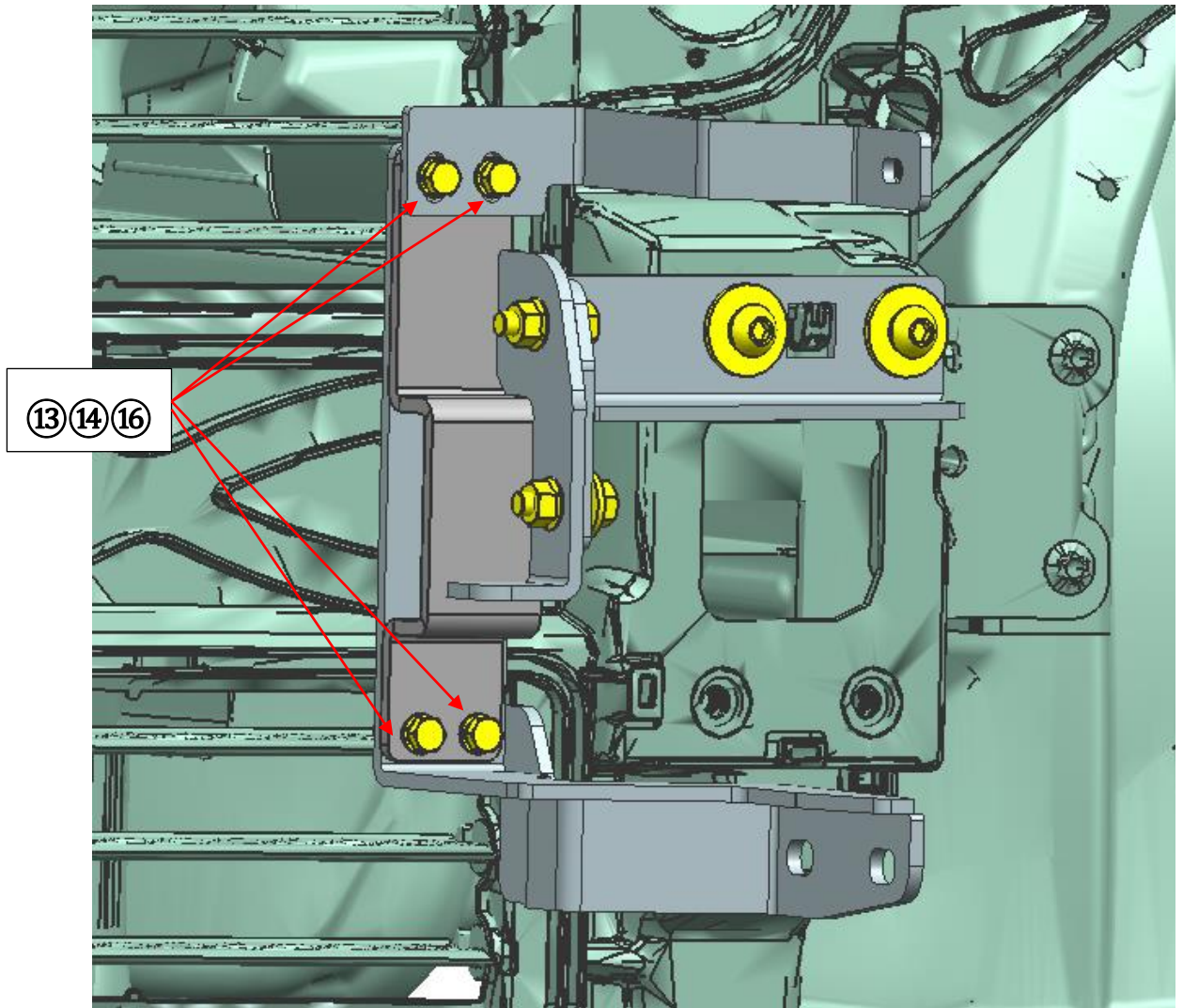
Step 2: Remove the original plastic front bumper. Fix the Bottom Support Brackets with standard parts ②⑤ ②⑦ ②⑧ ③①. (P.S.: The following installation steps show only the left side, but the installation method is consistent from left to right)



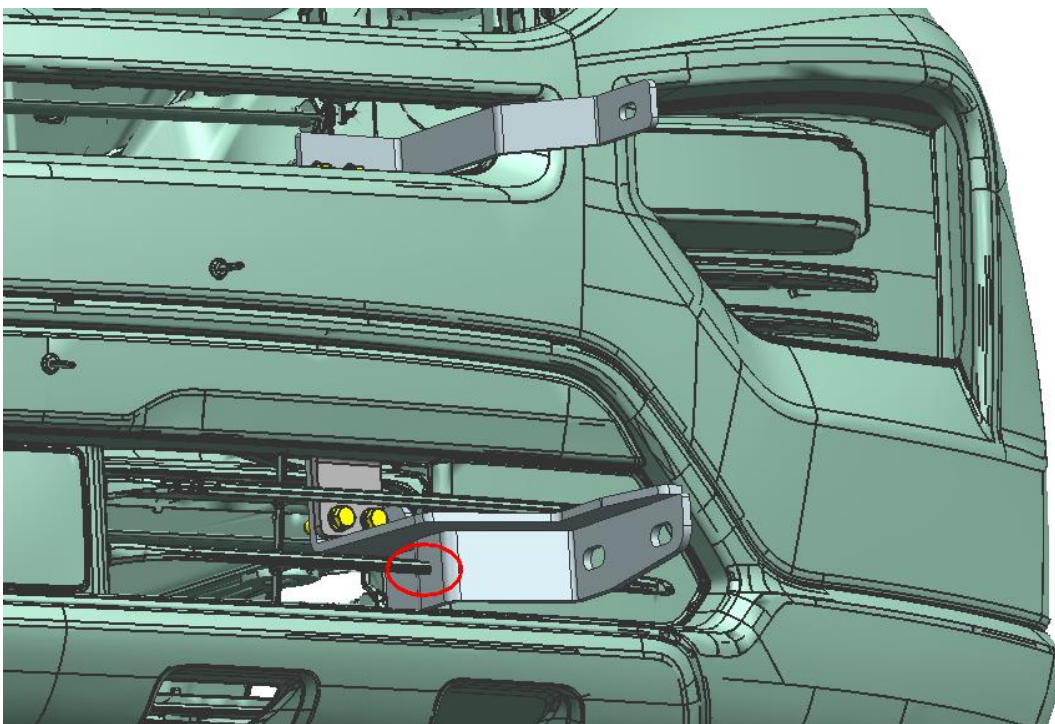
Then connect Bottom Support Brackets to Upper Brackets with standard parts ①⑨ ②① ②② ②④.



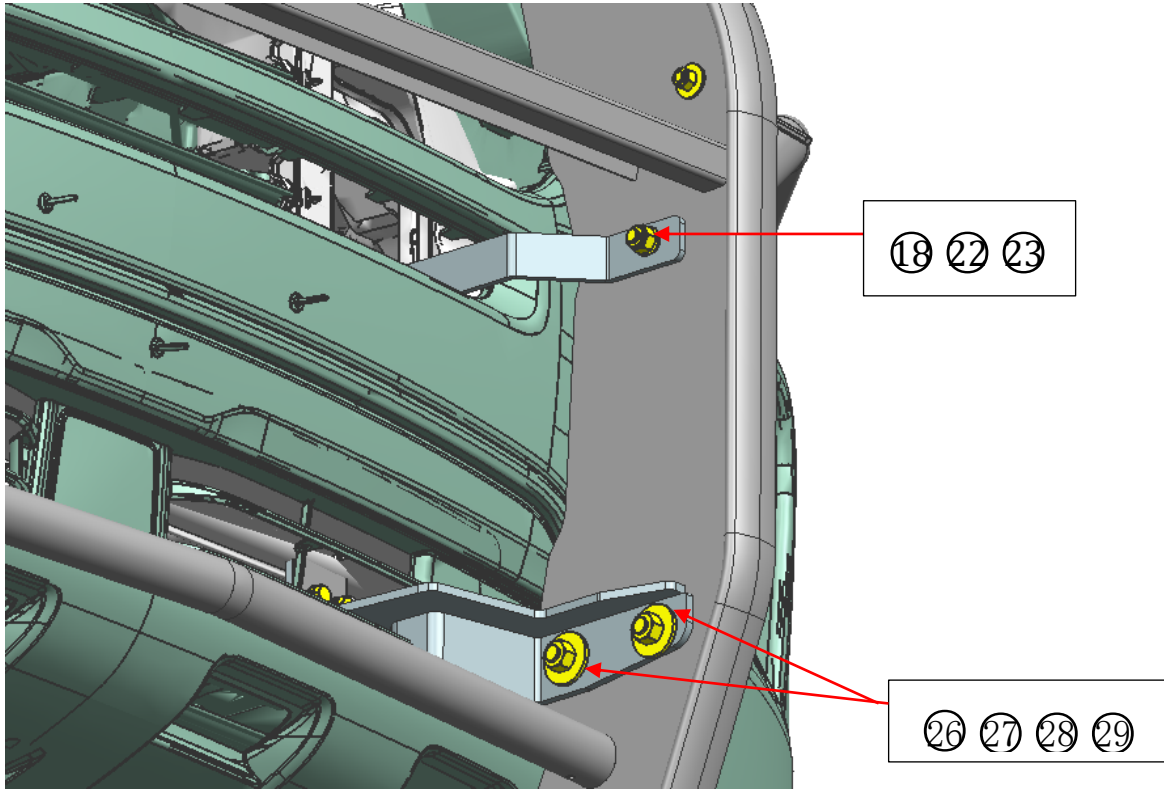
Finally, use standard parts to fix Top Support Brackets and Lower Brackets on the four mounting positions of the Upper Brackets.



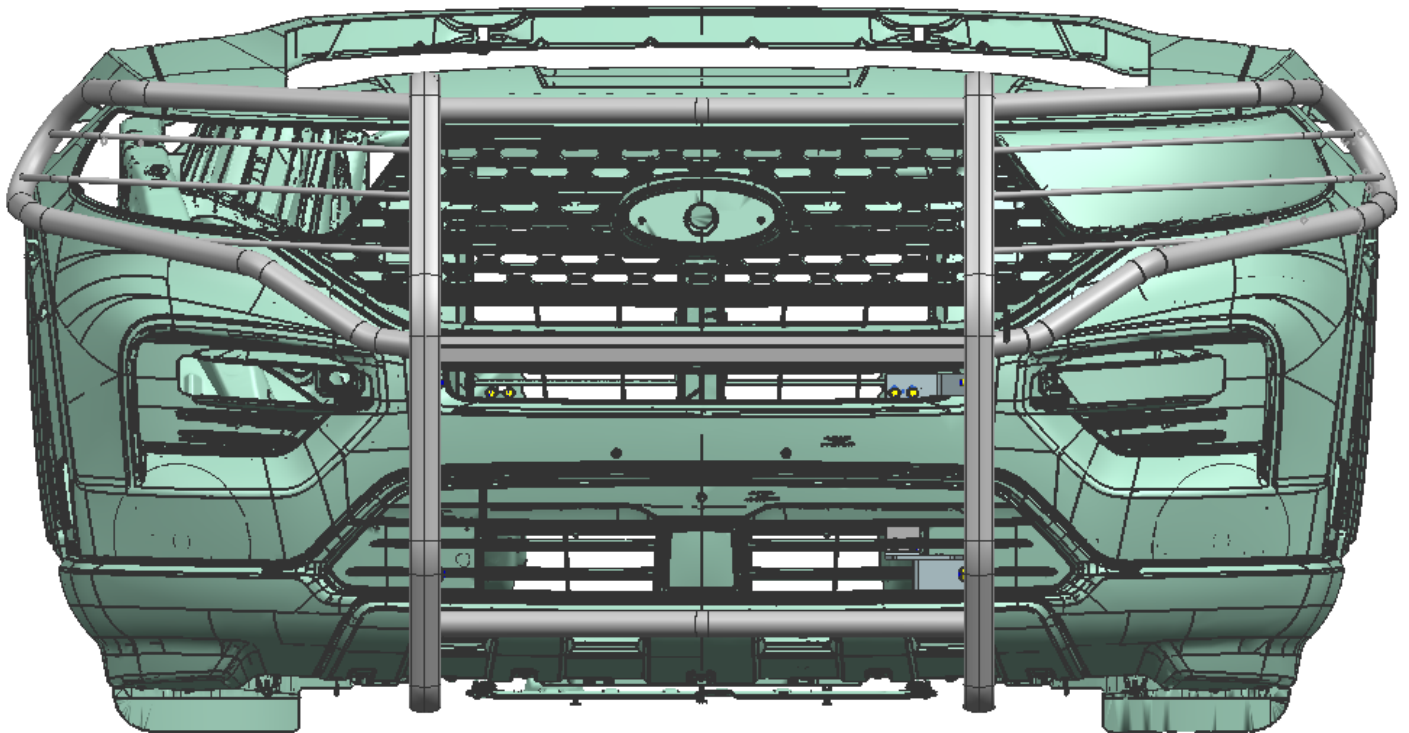
Step3: Reinstall the plastic front bumper. Need to cut off the place where the Lower Brackets against the intake grille.



Step4: Finally, install the whole grille guard to the Top Support Brackets and Lower Brackets as shown in the figure. Adjust it to an appropriate position, and then tighten the standard parts.



Step5: Installation is finished, pick up all tools.



NOTE

Any damages and losses caused by improper installation and application, goes beyond our quality warranty.