

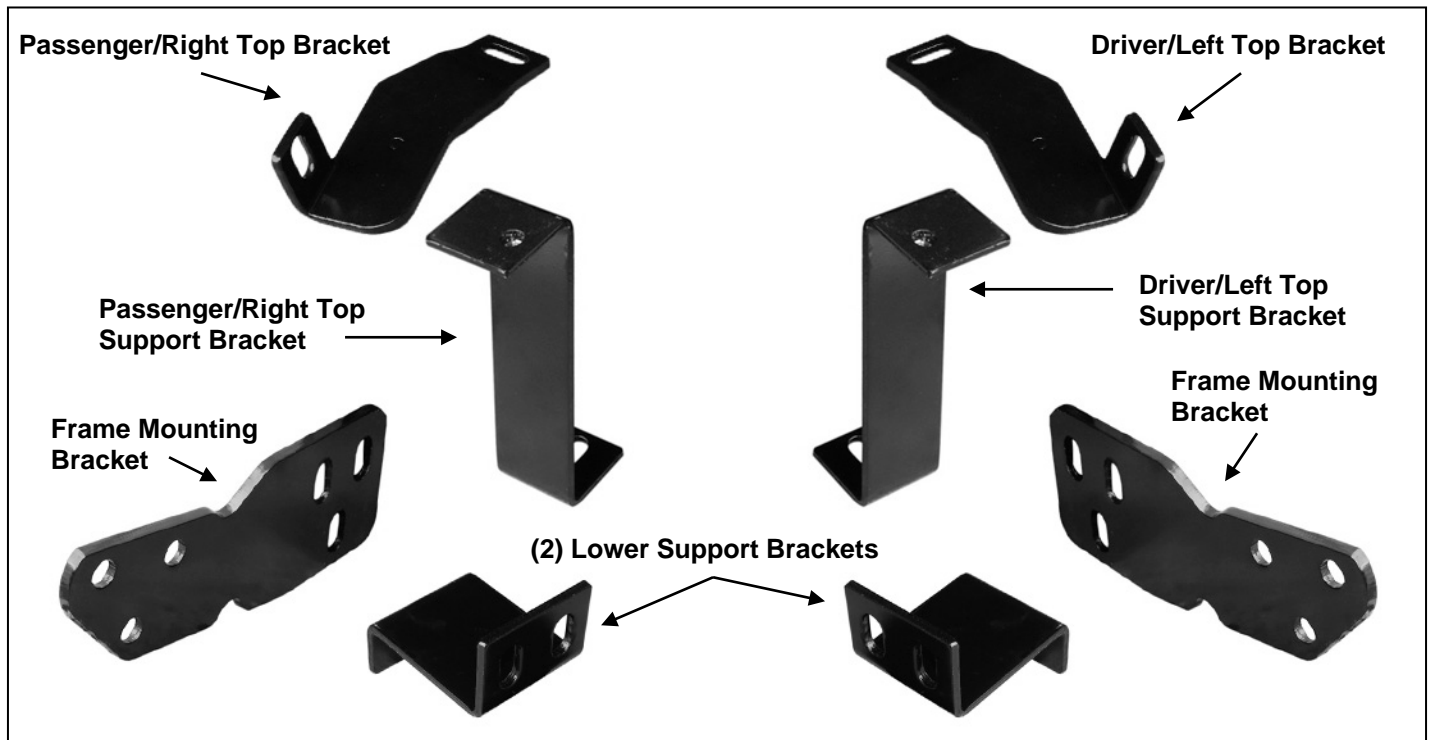


# **INSTALLATION INSTRUCTIONS**

**BLACK MODULAR GRILLE GUARD FOR GMC SIERRA 1500LD 07-13  
PART #17GS10MA**

**PARTS LIST:**

QTY	Description	QTY	Description
1	Front Guard	4	12mm x 24mm OD x 2.5mm STD Flat Washers
1	Right Brush Guard	12	12mm x 32mm OD x 3mm Large Flat Washers
1	Left Brush Guard	8	12mm Nylon Lock Nuts
1	Driver/Left Top Bracket	2	10-1.50mm X 25mm Button Head Bolts
1	Passenger/Right Top Bracket	2	10mm x 20mm x 2mm Flat Washers
1	Driver/Left Top Support Bracket	2	10mm x 24mm x 2.2mm Flat Washers
1	Passenger/Right Top Support Bracket	2	10mm Nylon Lock Nuts
2	Frame Mounting Brackets	2	8-1.25mm x 20mm Hex Bolts
2	Lower Frame Support Brackets	2	8mm x 22mm OD x 2mm Flat Washers
1	6mm Allen Wrench	2	8mm Lock Washers
8	12-1.75mm x 30mm Hex Bolts	1	Allen Wrench S=5
8	Hex Lock Nuts M8	8	Hex Button Head Bolts M8_25
16	Flat washers D8(8x24x2mm)		



**PROCEDURE:**

1. REMOVE CONTENTS FROM BOX AND VERIFY ALL PARTS ARE PRESENT. READ INSTRUCTIONS CAREFULLY. DO NOT ATTEMPT INSTALLATION ALONE; PERSONAL INJURY OR DAMAGE TO THE VEHICLE MAY RESULT. CUTTING MAY BE REQUIRED.
2. Start installation from under the front of the vehicle. Remove the factory hardware from the tow hooks, **(Figure 1)**. Leave tow hooks in place.

**Driver/Left side Mounting Bracket installation:**

- a. Select (1) Mounting Bracket and (1) Support Bracket, **(Figure 2)**. Hold the Support Bracket up to the inside of the frame over the (2) factory holes for the tow hook, **(Figure 3)**. Use the short tow hook bolt to attach the Support Bracket to the rear hole in the tow hook. Insert the long tow hook bolt through the Support Bracket, frame and tow hook.

- a. Line up the Mounting Bracket with the outside of the frame, **(Figure 4)**. Slide the Mounting Bracket over the long factory bolt and attach with the factory hex nut. Do not tighten at this time. Line up the hole in the bottom of the Mounting Bracket with the lower hole in the Support Bracket. Bolt the (2) Brackets together with the included (1) 12mm x 30mm Hex Bolt, (2) 12mm x 24mm STD Flat Washers and (1) 12mm Nylon Lock Nut, **(Figures 3 & 4)**. Do not fully tighten hardware.
- b. **NOTE:** It may be necessary to enlarge the (2) openings in the bumper cover slightly to clear the Mounting Brackets, **(Figure 1)**. Trim cover as required to install Brackets.

**Passenger/Right side Mounting Bracket installation:**

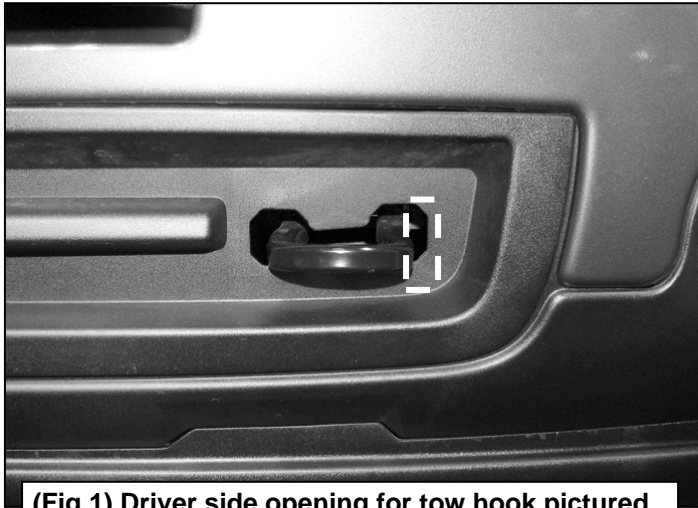
- c. Select (1) Mounting Bracket and (1) Support Bracket, **(Figure 5)**. Hold the Mounting Bracket up to the outside of the frame over the (2) factory holes for the tow hook hardware, **(Figure 6)**. Use the short tow hook bolt to attach the Mounting Bracket to the rear hole in the tow hook. Insert the long tow hook bolt through the Mounting Bracket, frame and tow hook.
  - d. From the inside of the frame, slide the Support Bracket over the long bolt and attach with the factory hardware, **(Figure 7)**. Do not tighten at this time. Line up the hole in the bottom of the Support Bracket with the lower hole in the Mounting Bracket. Bolt the (2) Brackets together with the included (1) 12mm x 30mm Hex Bolt, (2) 12mm x 24mm STD Flat Washers and (1) 12mm Nylon Lock Nut, **(Figures 6 & 7)**. Do not fully tighten hardware.
  - e. **NOTE:** Trim cover as required to install Brackets, **(Figure 1)**.
3. Next, open the hood and remove the plastic cover between the top of the grille and the radiator, **(Figure 8)**. **NOTE:** Use a small flat head screw driver to pop up the center of the plastic clips.
  4. Remove the long factory bumper bracket bolt behind the bumper on the top of the frame, **(Figure 9)**. It may be necessary to pull back the rubber splash guard covering the top of the frame to locate the bumper bracket and bolt. **NOTE:** It is not necessary but it may be easier to install the top Support Bracket with the grille removed. Remove the outer bolts from the plastic grille. Use a pair of "needle nose" pliers to carefully squeeze the back of the clips to release and gently pull the grill slightly forward to release, **(Figure 10)**. **IMPORTANT:** Do not damage the clips holding the grille in place. Once all of the clips have been released, carefully remove the entire grille by gently pulling it forward from the vehicle
  5. Select the passenger side Top Support Bracket, **(Figure 11)**. Note that the threaded holes in the top of the Support Brackets are offset. Secure the passenger side Support Bracket to the bumper bracket with the long factory hex bolt, **(Figure 12)**. Hold the Bracket straight and tighten the bumper bolt at this time.
  6. Repeat this **Step 5** to install the driver side Top Support Bracket. Reinstall the plastic grille if previously removed.
  7. With assistance, hold the Grille Guard up in position on the outside of the Mounting Brackets. Bolt the Grille Guard to the Brackets with (6) 12mm x 30mm Hex Bolts, (12) 12mm x 32mm Large Flat Washers and (6) 12mm Nylon Lock Nuts, **(Figure 13)**. Do not tighten hardware at this time.
  8. Select the passenger side Top Bracket, **(Figure 14)**. Slide the Bracket through the opening in the grille and onto the top of the Support Bracket. Bolt the Top Bracket to the top of the Support Bracket with (1) 8mm x 20mm Hex Bolt, (1) 8mm Lock Washer and (1) 8mm Flat Washer. Leave loose at this time.
  9. Line up the passenger side Top Bracket with the hole in the upright on the Grille Guard. Bolt the Top Bracket to the upright with (1) 10mm x 25mm Button Head Bolt, (1) 10mm x 20mm Flat Washer, (outside), (1) 10mm x 24mm Flat Washer, (inside), and (1) 10mm Nylon Lock Nut, **(Figure 15)**. Do not tighten hardware at this time.
  10. Repeat **Steps 8 – 9** for driver side Top Bracket installation.
  11. Level and adjust the Grille Guard and fully tighten all hardware. Make sure that the Top Brackets do not come in contact with the top of the bumper cover or grille. Reinstall the top plastic cover.

12. Do periodic inspections to the installation to make sure that all hardware is secure and tight.

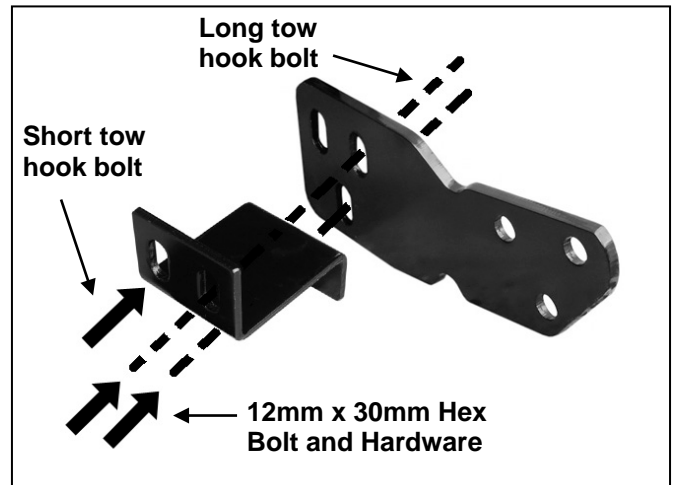
**To protect your investment**, wax this product after installing. Regular waxing is recommended to add a protective layer over the finish. Do not use any type of polish or wax that may contain abrasives that could damage the finish.

**For stainless steel:** Aluminum polish may be used to polish small scratches and scuffs on the finish. Mild soap may be used also to clean the Grille Guard.

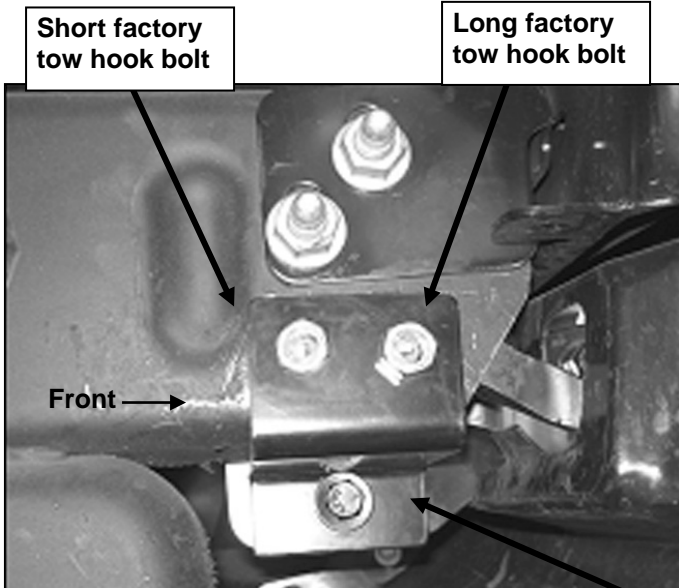
**For gloss black finishes:** Mild soap may be used to clean the Grille Guard.



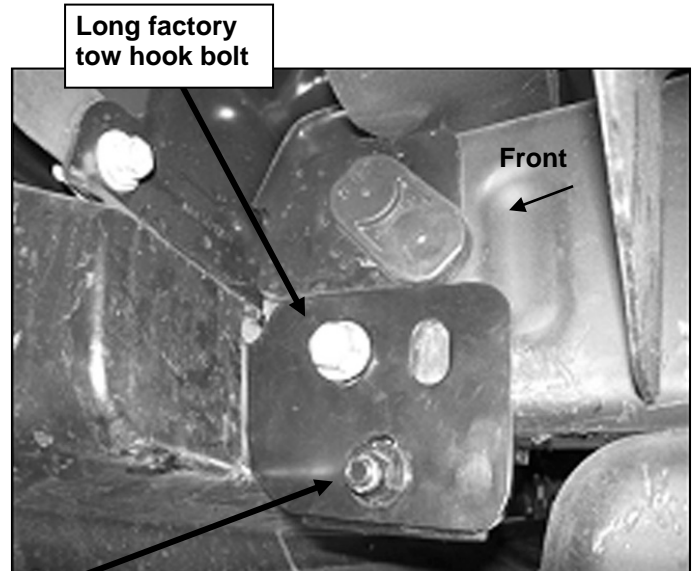
(Fig 1) Driver side opening for tow hook pictured. Dashed white line represents approximate area to cut for Bracket clearance. Check before cutting



(Fig 2) Driver side Mounting Brackets pictured

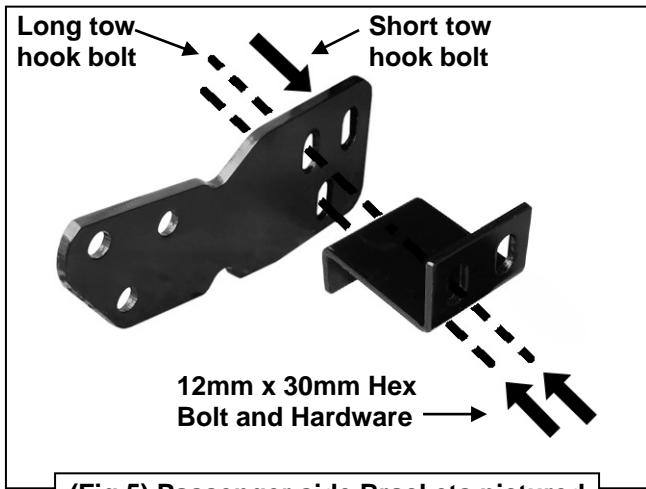


(Fig 3) Driver side Support Bracket bolted to inside of frame and pictured from behind bumper

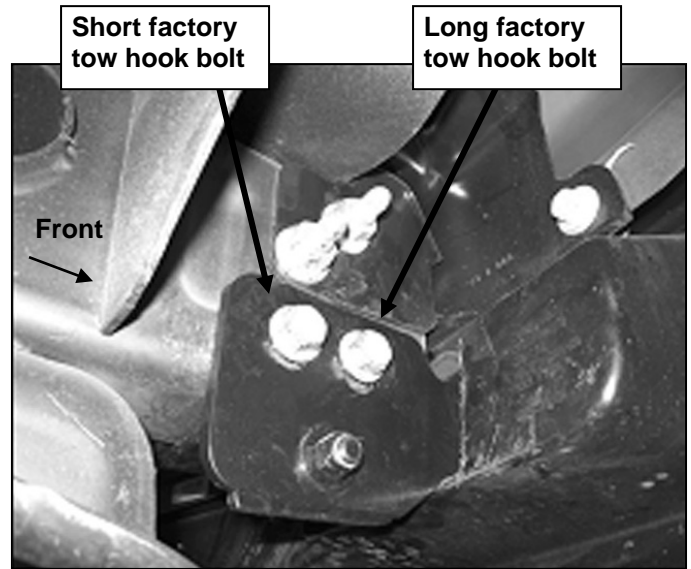


(Fig 4) Driver side Mounting Bracket bolted to outside of frame and pictured from behind bumper

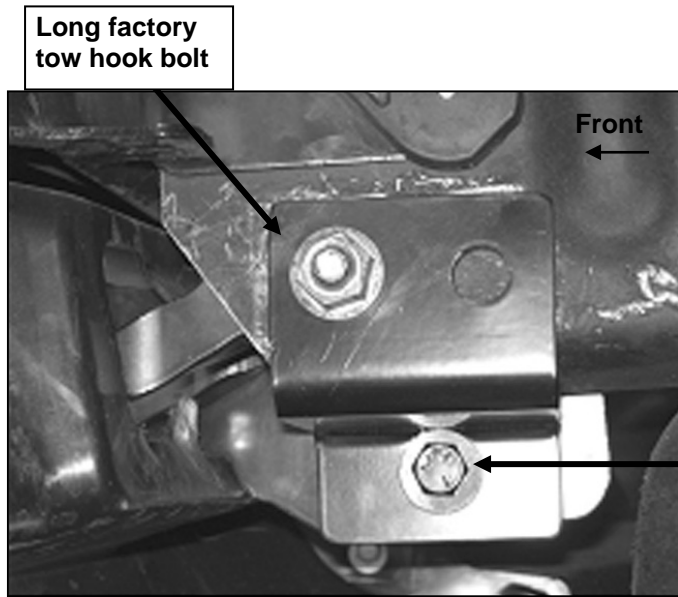
12mm x 30mm Hex Bolt  
 (2) 12mm x 24mm Small Flat Washers  
 12mm Nylon Lock Nut



(Fig 5) Passenger side Brackets pictured

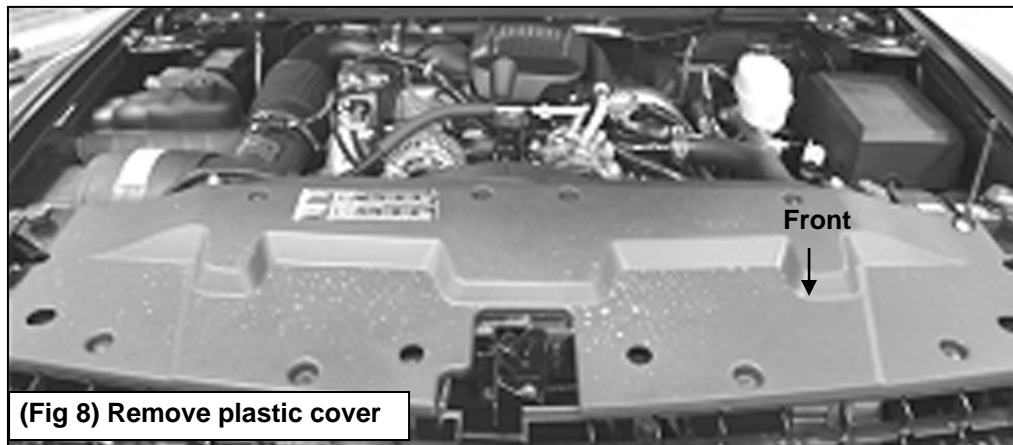


(Fig 6) Passenger side Mounting Bracket bolted to outside of frame and pictured from behind bumper



12mm x 30mm Hex Bolt  
(2) 12mm x 24mm Small Flat Washers  
12mm Nylon Lock Nut

(Fig 7) Passenger side Support Bracket bolted to inside of frame and pictured from behind bumper





(Fig 9) Pull back the rubber splash guard (if equipped) to locate the factory hex bolt in the top of the frame (passenger side pictured)

Use a pair of needle nose pliers to carefully pinch the top and bottom tab on the clip to release and remove the grille

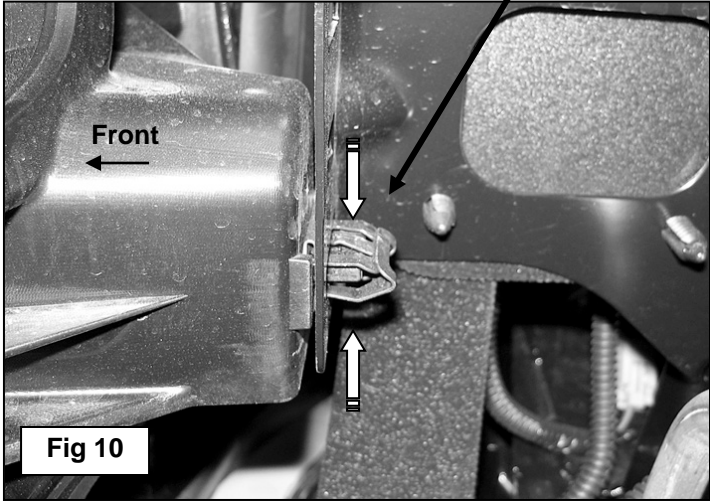
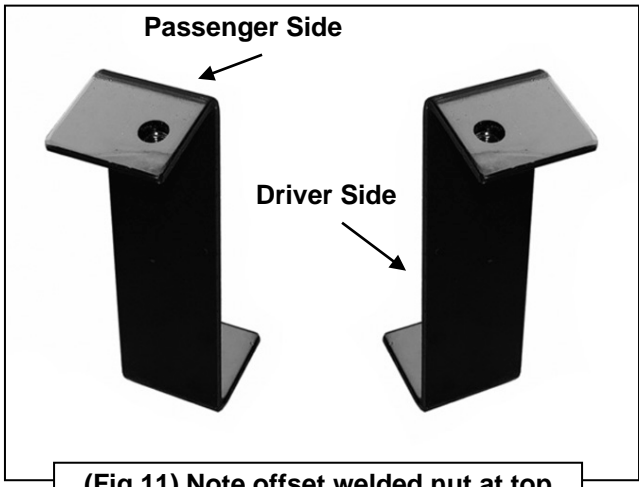


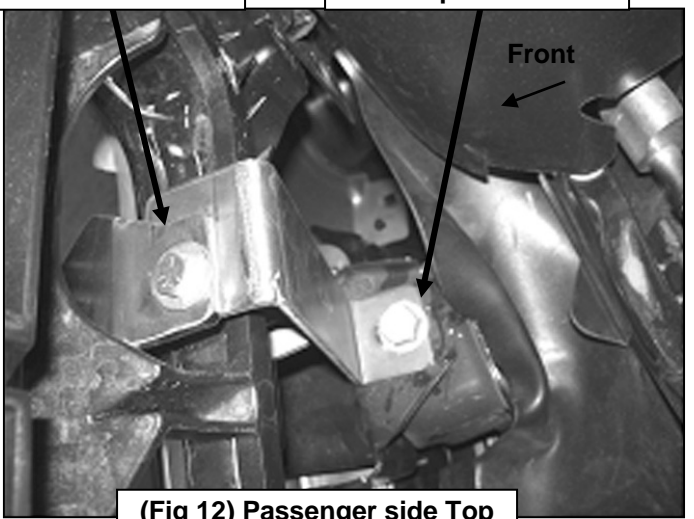
Fig 10



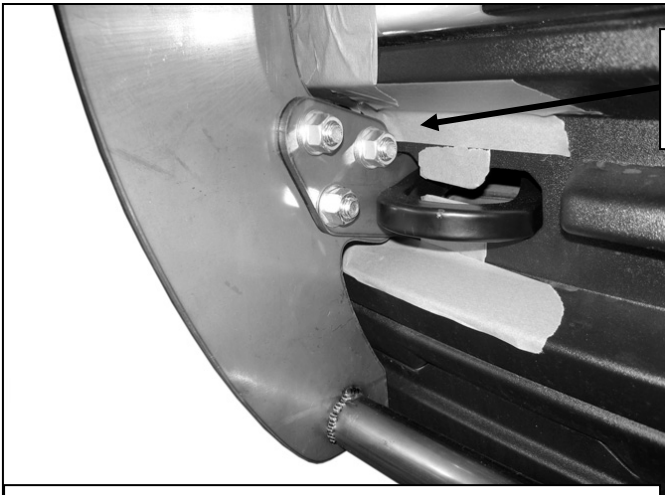
(Fig 11) Note offset welded nut at top

8mm Hex Bolt  
8mm Lock Washer  
8mm Flat Washer

Long factory hex bolt  
in the top of the frame



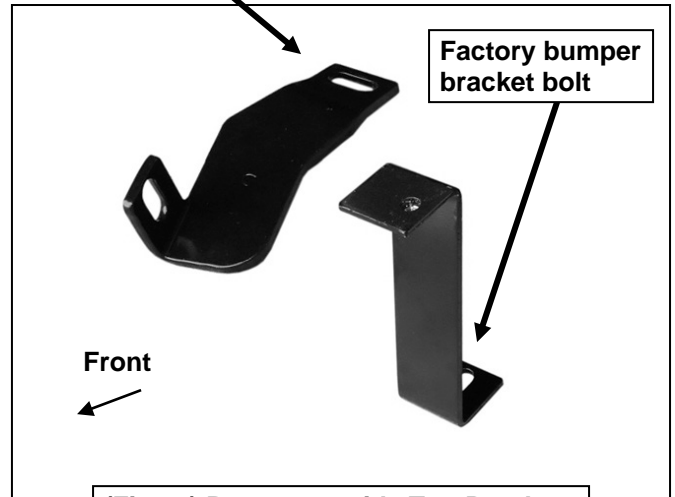
(Fig 12) Passenger side Top Support Bracket pictured



- (3) 12mm x 30mm Hex Bolts
- (6) 12mm x 32mm Large Flat Washers
- (3) 12mm Nylon Lock Nuts

(Fig 13) Passenger side pictured. Note removable tape used to protect bumper during installation

- 8mm Hex Bolt
- 8mm Lock Washer
- 8mm Flat Washer



(Fig 14) Passenger side Top Bracket and Top Support Bracket pictured

- (1) 10mm Button Head Bolt
- (2) 10mm Flat Washers
- (1) 10mm Nylon Lock Nut



(Fig 15) Passenger side Top Bracket pictured

- 8mm Hex Bolt
- 8mm Lock Washer
- 8mm Flat Washer

