

INSTALLATION INSTRUCTION

S/S 4" Oval Side Steps

11-12 Jeep Grand Cherokee

PART # 9B080203SSOV



**BLACK HORSE
OFF ROAD**

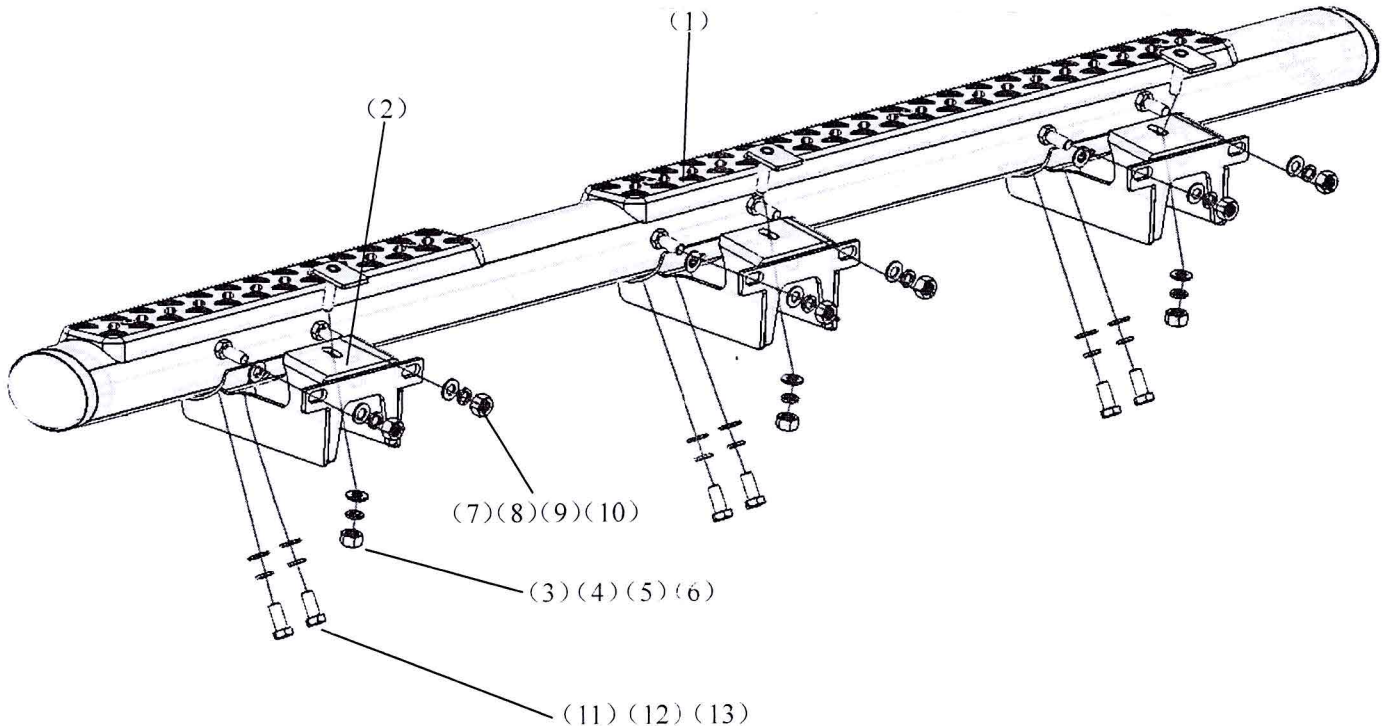
Attention:

- Please read this installation menu before installing this part; Protect your car properly in case there is any scratch might have.
- You may need to periodically to re-tighten all hardware for safety use after installation.
- Installation pictures are only for your reference, there might be some differences between pictures and real parts but no effect for your fitting.

Part List

NO.	NAME	QTY	REMARK	NO.	NAME	QTY	REMARK
(1)	Main body tube	2		(8)	Large washer	24	φ6*20*2.5
(2)	Bracket	6		(9)	Spring washer	12	φ6
(3)	T-bolt	6		(10)	Hexagon nut	12	M6-8.0grade
(4)	Large washer	6	φ8*25*2.0	(11)	Hexagon screws	12	M10*25-8.8grade
(5)	Spring washer	6	φ8	(12)	Large washer	12	φ10*30*2.5
(6)	Hexagon nut	6	M8	(13)	Spring washer	12	φ10
(7)	Hexagon screws	12	M6*30-8.8grade				

INSTALLATION PICTURE



Disclaimer: Caused due to improper installation and use of the related problems and losses, is not in the scope of our company's quality assurance.