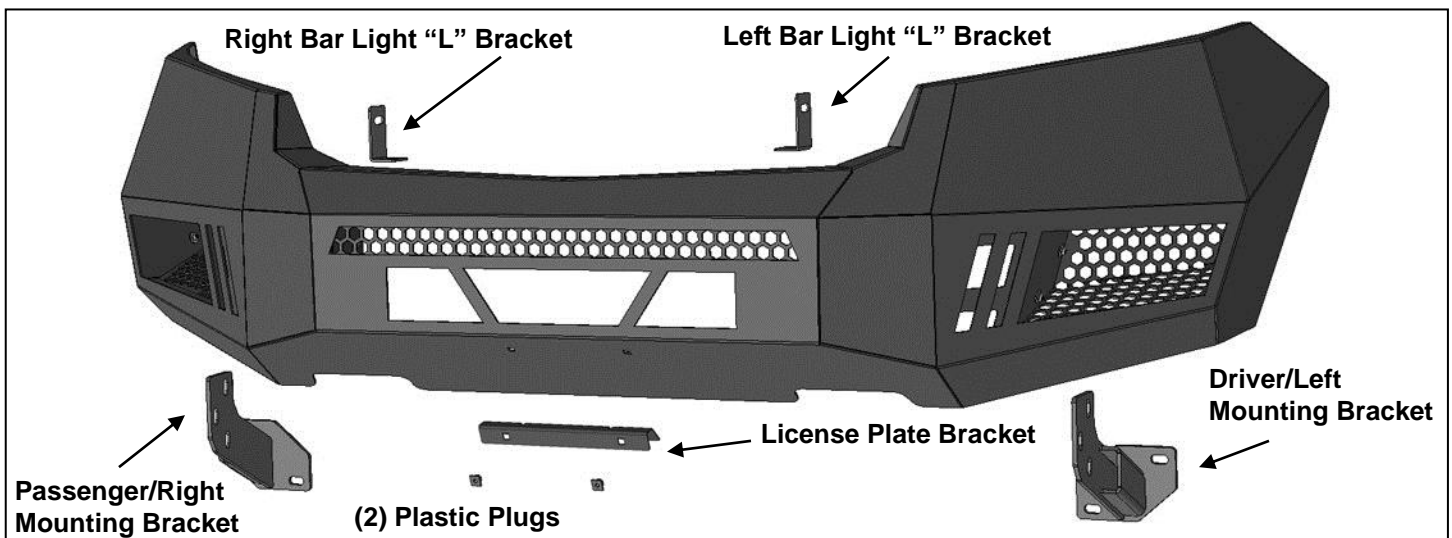




INSTALLATION INSTRUCTIONS
ARMOUR FRONT BUMPER W/O LED LIGHTS FOR
CHEVY COLORADO 15-17
PART # AFB-CO15

PARTS LIST:

1	ARMOUR Front Bumper Assembly	2	8mm x 25mm Hex Bolts
1	Driver/left Frame Mounting Bracket	2	8mm x 16mm Hex Bolts
1	Passenger/right Frame Mounting Bracket	6	8mm x 24mm x 2mm Flat Washers
1	Driver/left "L" Bracket (center LED light)	4	8mm Lock Washers
1	Passenger/right "L" Bracket (center LED light)	2	8mm Hex Nuts
1	License Plate Bracket	2	6mm x 20mm Button Head Bolts
2	Plastic Plugs for License Plate	4	6mm x 18mm x 1.6 Flat Washers
6	10-1.5mm x 35mm Hex Bolts	2	6mm Nylon Lock Nuts
12	10mm x 30mm OD x 2.5mm Flat Washers	1	4mm Wrench
6	10mm Lock Washers	10	Nylon Wire Ties
6	10mm Hex Nuts		



PROCEDURE:

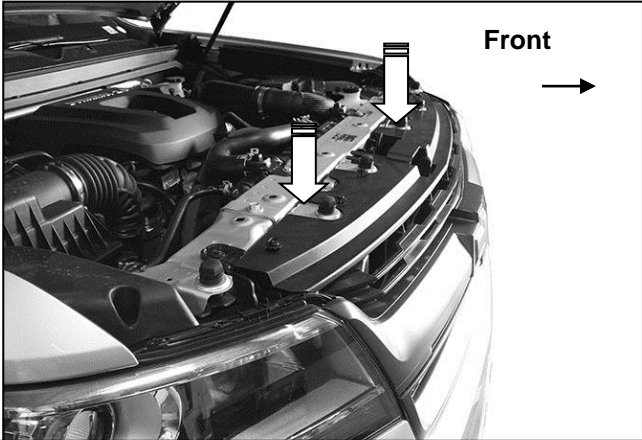
REMOVE CONTENTS FROM BOX. VERIFY ALL PARTS ARE PRESENT. READ INSTRUCTIONS CAREFULLY BEFORE STARTING INSTALLATION. ASSISTANCE IS HIGHLY RECOMMENDED TO AVOID POSSIBLE INJURY OR DAMAGE TO THE VEHICLE.

1. Remove the license plate and bracket. Next, open the hood and remove the hex bolts attaching the plastic cover to the top of the radiator and the grille, **(Figure 1)**.
2. Move to below the front bumper and remove the plastic inner cover below the radiator, **(Figure 2)**. Remove the hex bolt attaching the bottom of the bumper cover to the steel inner impact bumper, **(Figure 3)**. Next, locate the passenger/right side plastic inner bumper reinforcement. Remove the hardware attaching the reinforcement to the end of the frame, **(Figure 4)**.
3. Move to the passenger side wheel opening and remove the (7) screws attaching the plastic fender liner to the fender, **(Figure 5)**. Carefully separate the plastic liner from the fender. Reach in through the opening between the liner and the fender and locate and remove the (3) screws attaching the end of the bumper cover to the front of the fender just the outside of the headlight, **(Figure 6)**. On models with factory fog lights, unplug the wiring harness leading to the light, **(Figure 7)**. Move harness away from bumper.
4. Repeat **Steps 2 & 3** to remove the bumper cover hardware from the driver/left side of the vehicle.
5. With assistance, gently pull the bumper cover with grille attached, outward from the vehicle, **(Figure 8)**.
6. Release the clips and separate the grille from the bumper cover. Use the factory hardware to reattach the grille to the vehicle, **(Figure 8)**.
7. From the front, locate and remove the (2) hex bolts attaching the air deflector, **(Figure 8)**.
8. Next, remove the (4) hex bolts attaching the steel impact bumper to the ends of the frame, **(Figure 9)**.

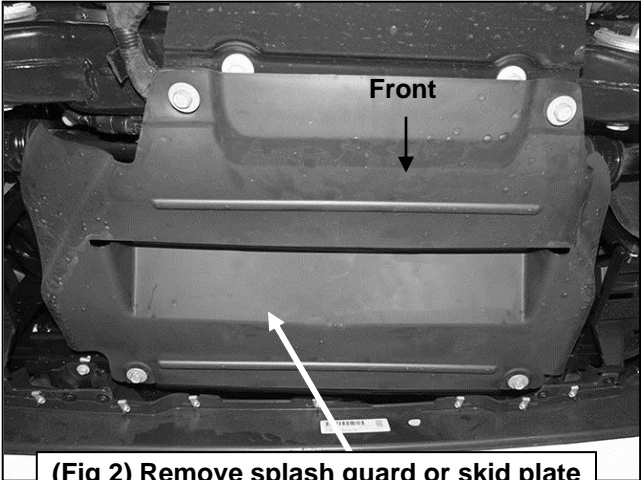
9. Select the passenger/right side Frame Mounting Bracket, **(Figure 10)**. Reuse the factory hex bolts to attach the Bracket to the end of the frame, **(Figures 10 & 11)**. Repeat to install the driver/left Frame Mounting Bracket. Snug but do not fully tighten hardware at this time.
10. With assistance, position the Bumper Assembly up to the inside of the Frame Brackets. Temporarily support the weight of the Bumper. **WARNING:** To avoid possible injury or damage to the vehicle, do not proceed until the Bumper is fully and safely supported.
11. Line up the (3) holes in the passenger/right side mounting plate on the back of the Bumper with the (3) slots in the Frame Bracket. Attach the Bumper to the Bracket with the included (3) 10mm x 35mm Hex Bolts, (6) 10mm Flat Washers, (3) 10mm Lock Washers and (3) 10mm Hex Nuts, **(Figures 12 & 13)**. Do not fully tighten hardware at this time. Repeat this **Step** to attach the driver/left side of the Bumper to the Frame Bracket.
12. Level and adjust the bumper and fully tighten all hardware.
13. If front license plate is required, attach the License Plate Bracket to the holes in the bumper with the included (2) 6mm x 20mm Button Head Screws, (4) 6mm Flat Washers and (2) 6mm Nylon Lock Nuts, **(Figure 14)**. Insert (2) Plastic Plugs into the square holes in the Bracket. Reuse the factory screws to attach the license plate to the plastic plugs.
14. **Center LED light installation** (sold separately).
 - a. Select the L/R "L" Brackets, **(Figure 15)**. Attach the Brackets to the top of the (2) mounting tabs welded onto the back of the bumper with the included 8mm x 25mm Hex Bolts, (4) 8mm Flat Washers, (2) 8mm Lock Washers and (2) 8mm Hex Nuts. Leave loose at this time.
 - b. Attach the LED light assembly to the "L" Brackets with the included (2) 8mm x 16mm Hex Bolts, (2) 8mm Lock Washers and (2) 8mm Flat Washers, **(Figure 15)**. Do not fully tighten hardware at this time. **IMPORTANT:** "L" Brackets are designed for 8mm light mounting hardware only. Modify "L" Brackets if necessary or use brackets supplied by your light manufacturer if possible to install hardware larger than 8mm.
 - c. Follow light manufacturer's instructions to properly wire the light.
15. **LED light installation at ends of bumper** (sold separately).
 - a. Insert light into opening and up to mounting slots in the top of the passenger/right light opening.
 - b. Check for clearance between front and back of light. If necessary, remove the screen from the back of the opening, **(Figure 16)**.
 - c. Follow the light manufacturer's instructions to attach (1) light to the center slot or (2) lights to the inner and outer slots in the top of the light opening. **IMPORTANT:** On two light systems with (1) flood and (1) spot light per side, attach the flood light to the outer and the spot light to the inner slot.
 - d. Repeat the above steps for driver/left side light installation.
 - e. Follow light manufacturer's instructions to properly wire the light.
16. Do periodic inspections to the installation to make sure that all hardware is secure and tight.

To protect your investment, wax this product after installing. Regular waxing is recommended to add a protective layer over the finish. Do not use any type of polish or wax that may contain abrasives that could damage the finish. Mild soap may be used to clean the Front Bumper assembly.

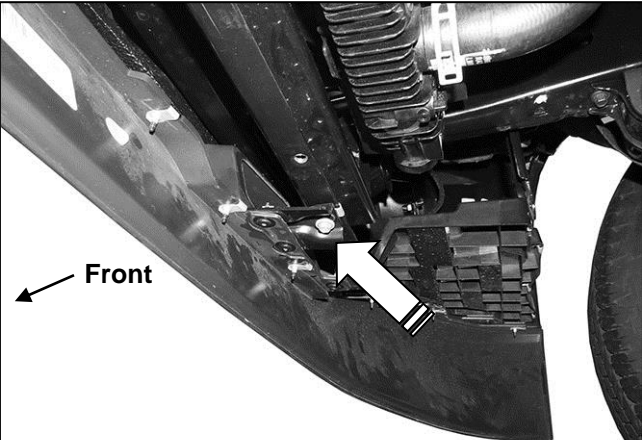
Passenger/Right Side Installation Pictured



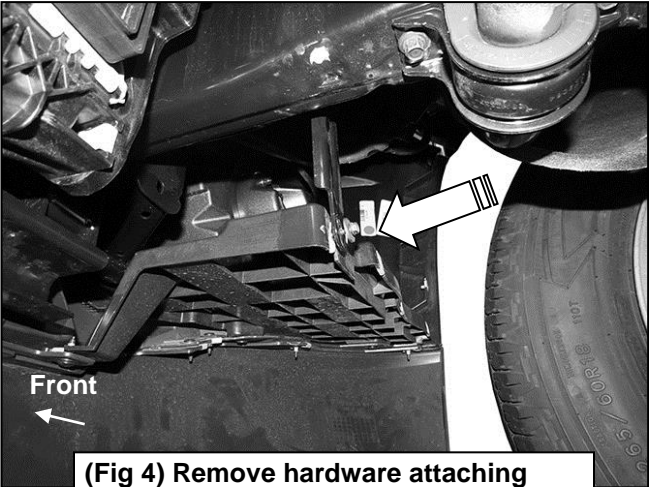
(Fig 1) Remove cover between radiator and grille. Remove screws attaching top of grille (arrows)



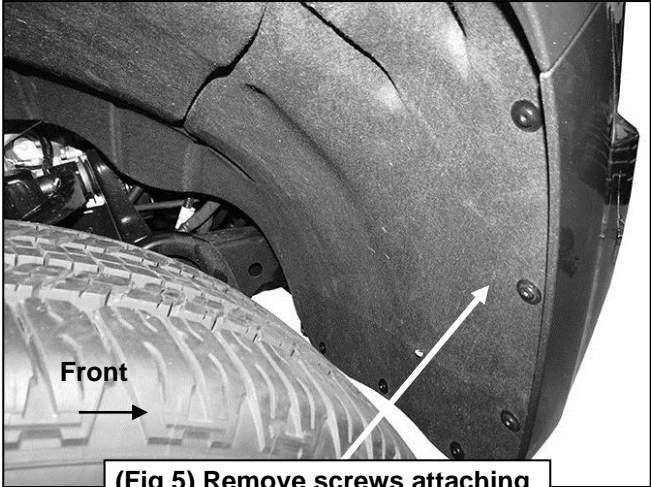
(Fig 2) Remove splash guard or skid plate from bottom of engine behind bumper



(Fig 3) Remove hardware attaching bumper cover to cross member behind bumper



(Fig 4) Remove hardware attaching plastic fill panel to inner fender (arrow)



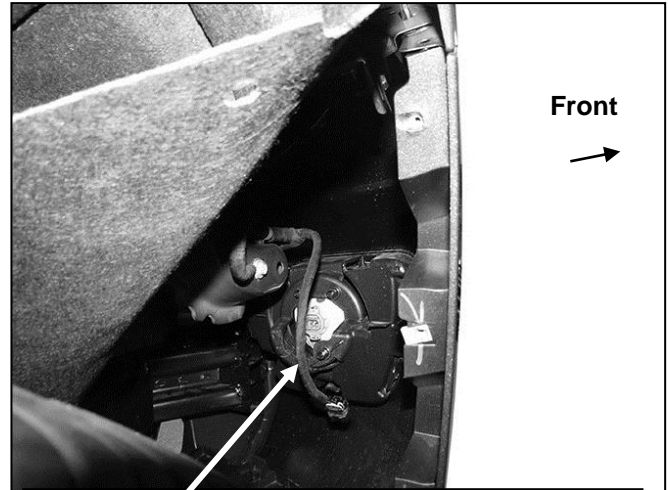
(Fig 5) Remove screws attaching fender liner to bumper cover

Passenger/Right Side Installation Pictured

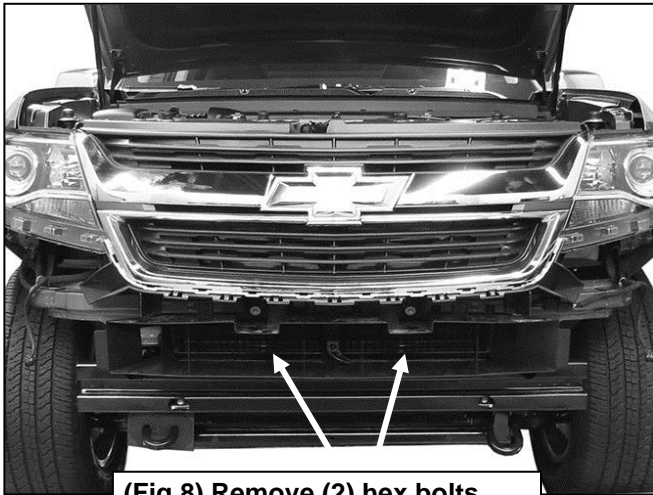


(Fig 6) Remove hardware attaching bumper cover to fender. Remove bumper cover

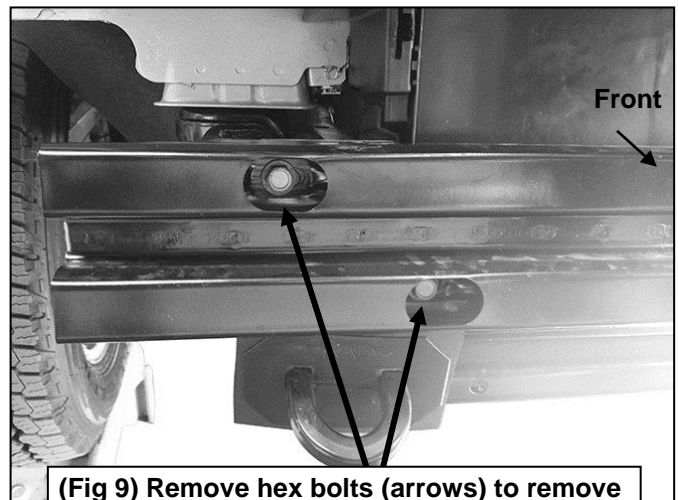
WARNING! Do not crawl under bumper unless the bumper is properly supported on blocks or stands or the bumper may fall.



(Fig 7) Pull back fender liner to access bumper hardware and unplug fog light if equipped

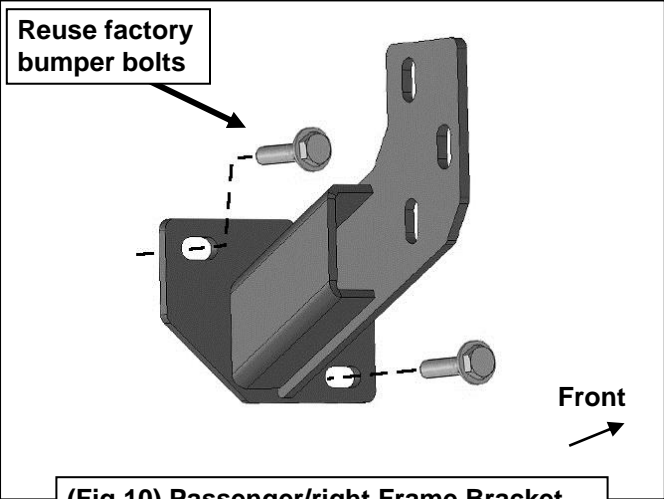


(Fig 8) Remove (2) hex bolts (arrows) to remove air deflector

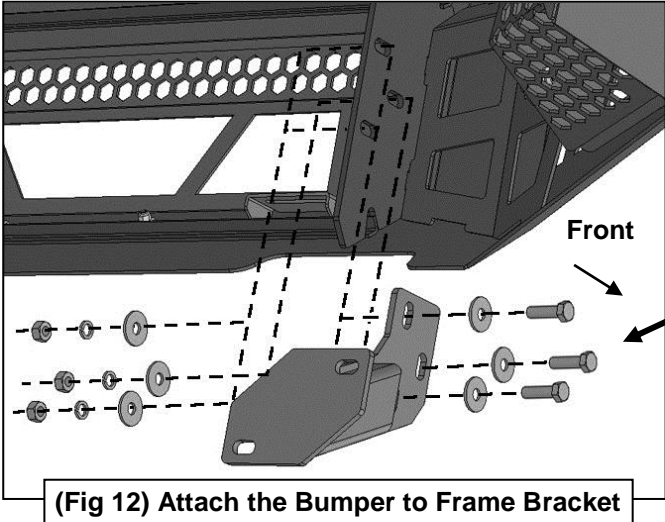
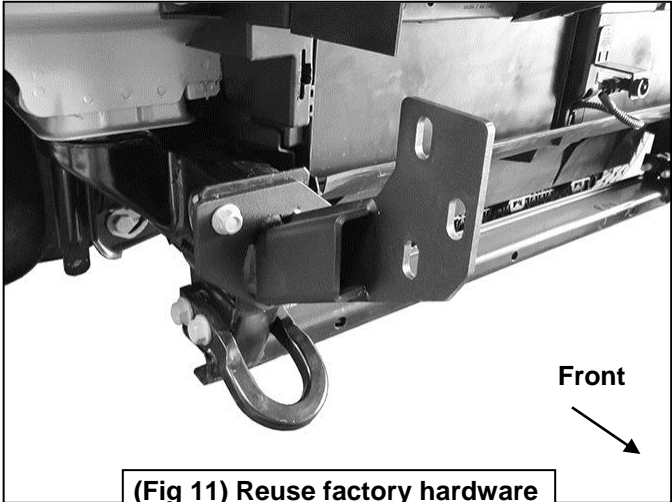


(Fig 9) Remove hex bolts (arrows) to remove impact bumper (Passenger side pictured)

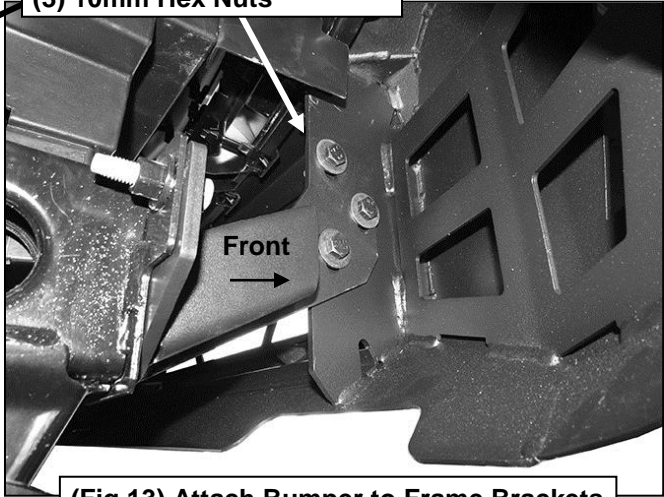
Passenger/Right Side Installation Pictured

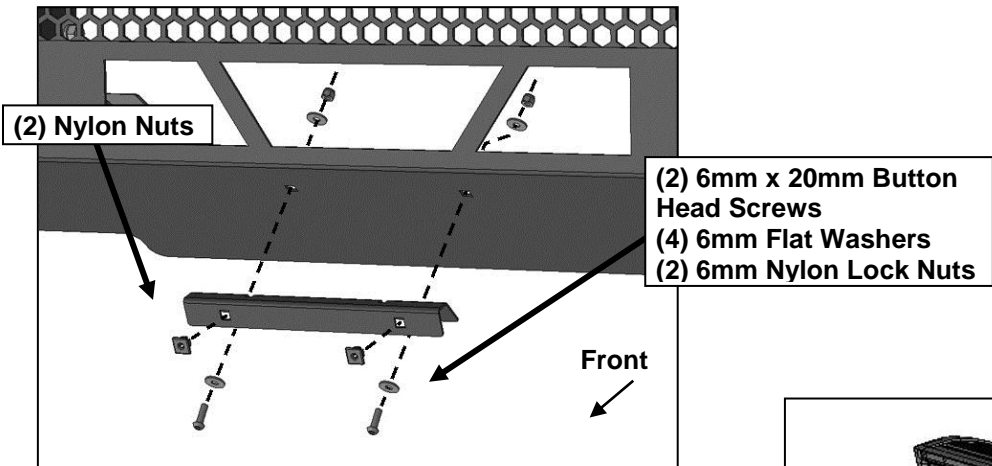


WARNING! Do not crawl under bumper unless the bumper is properly supported on blocks or stands or the bumper may fall.



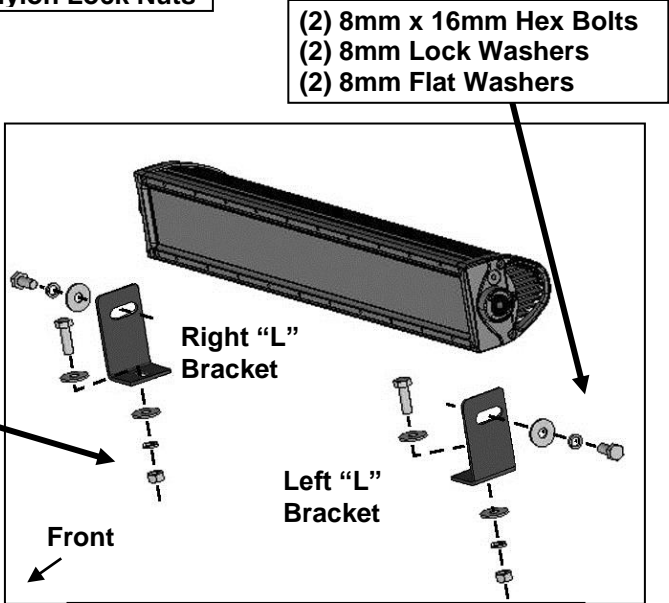
- (3) 10mm x 35mm Hex Bolts
- (6) 10mm Flat Washers
- (3) 10mm Lock Washers
- (3) 10mm Hex Nuts



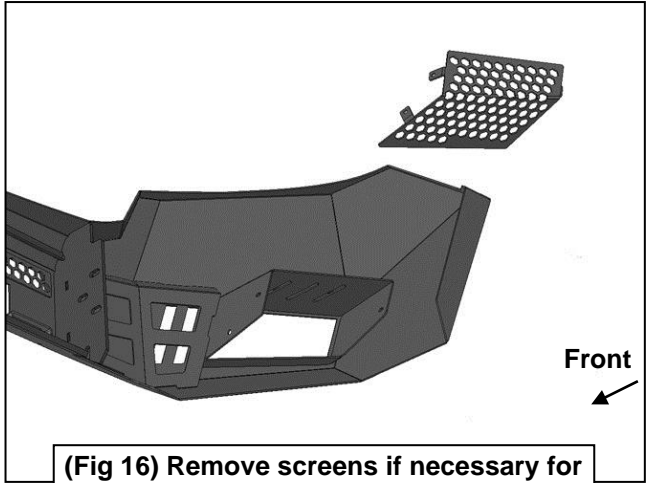


(Fig 14) Attach License Plate Bracket to Bumper

- (2) 8mm x 25mm Hex Bolts
- (4) 8mm Flat Washers
- (2) 8mm Lock Washers
- (2) 8mm Hex Nuts



(Fig 15) Typical center light installation



(Fig 16) Remove screens if necessary for clearance/access to outer light mounts

