



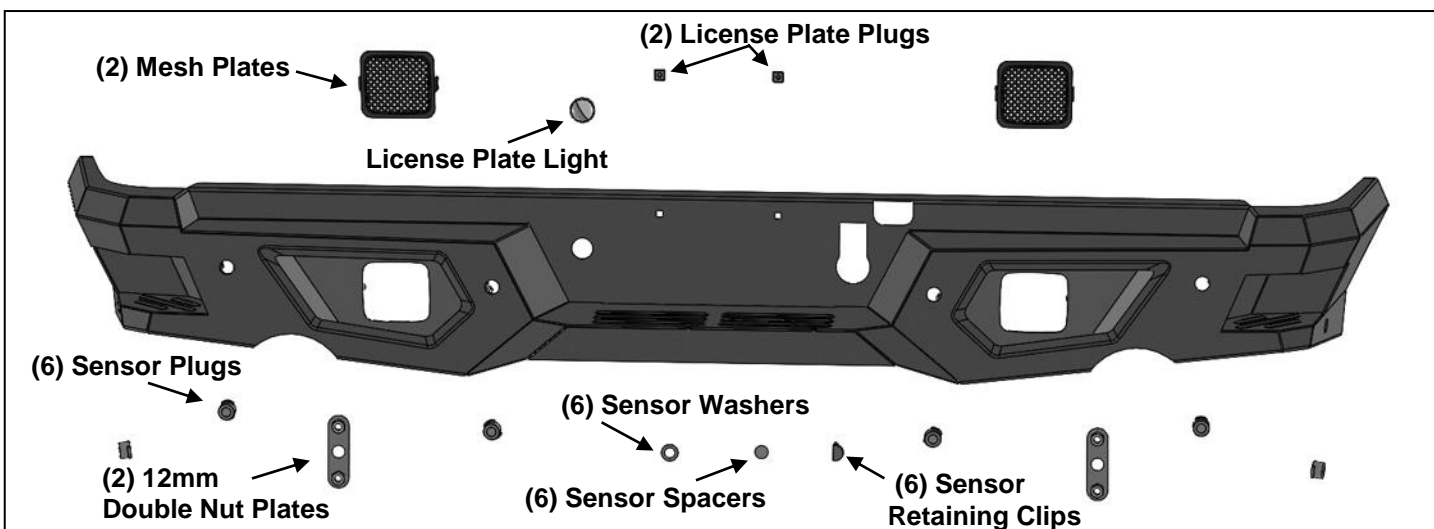
INSTALLATION INSTRUCTIONS

LD2 REAR BUMPER
2019 DODGE RAM 1500

LD2 REAR BUMPER
2019 DODGE RAM 1500
PART#ARB-RA19

PARTS LIST:

| | | | |
|---|---|----|------------------------------------|
| 1 | LD2 Rear Bumper Assembly | 4 | 12mm x 37mm x 3mm Flat Washers |
| 2 | Mesh Plates | 4 | 12mm Double Nut Plates |
| 1 | License Plate Light | 4 | 6-1.0mm x 20mm Combo Bolts |
| 2 | Plastic Plugs for license plate | 4 | 6mm Flange Nuts |
| 6 | Sensor Hole Plugs | 14 | 4mm x 10mm Button Head Bolts |
| 6 | Sensor Foam Washers (15.5mm x 25mm x 2mm) | 4 | 4mm x 12mm x 1mm Flat Washers |
| 6 | Sensor Foam Spacers (20mm x 2mm) | 2 | 4mm Lock Washers |
| 6 | Sensor Retaining Clips | 2 | 4mm Hex Nuts |
| 1 | Sensor Cover Kit | 1 | 4mm Allen Wrench (for 6mm Bolts) |
| 4 | 12-1.75mm x 35mm Hex Bolts | 1 | 2.5mm Allen Wrench (for 4mm Bolts) |
| 4 | 12mm Lock Washers | 10 | Nylon Cable Ties 200mm |



PROCEDURE:

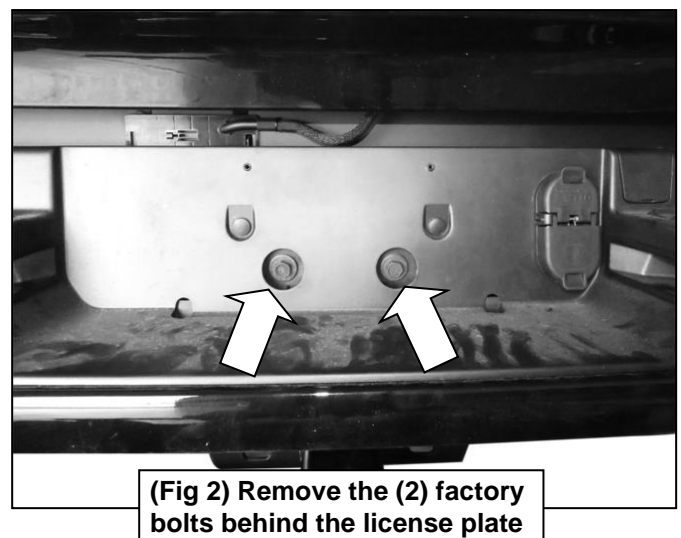
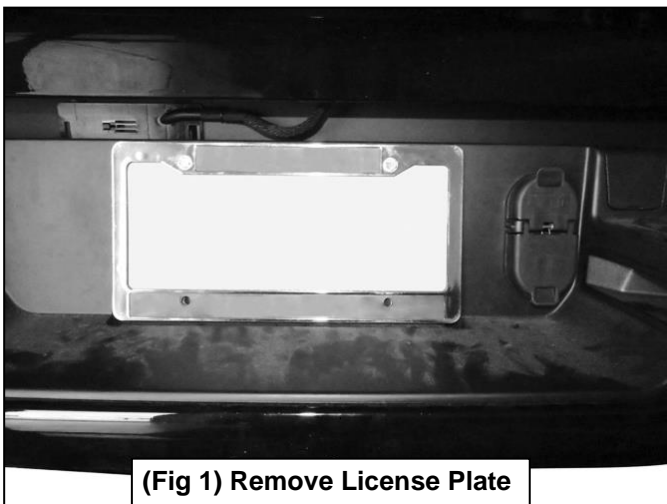
REMOVE CONTENTS FROM BOX. VERIFY ALL PARTS ARE PRESENT. READ INSTRUCTIONS CAREFULLY BEFORE STARTING INSTALLATION. BUMPER IS HEAVY, ASSISTANCE IS HIGHLY RECOMMENDED TO AVOID POSSIBLE INJURY OR DAMAGE TO THE VEHICLE. ON MODELS WITH DUAL EXHAUST, ALLOW EXHAUST TO COMPLETELY COOL BEFORE STARTING INSTALLATION.

1. Start installation by removing the license plate, **(Figure 1)**. Next, remove the (2) factory hex bolts behind the license plate, **(Figure 2)**. Locate and unplug the main wire harness from the Bumper, **(Figure 3)**. Release the clips holding the main wire harness to the Bumper.
2. Place blocks or jack stands under the bumper to support it during bumper bolt removal. Once the bumper has been safely supported, remove the (4) factory bumper bolts, (2 per side), and slide the rear bumper off of the end of the frame, **(Figures 4 & 5)**. **WARNING!** Assistance is required to hold the bumper in place during hardware removal and to prevent the bumper from falling. Move the bumper to a clean stable work surface.
3. Unplug the license plate lights, towing harness plug, remote key antenna and sensors if equipped, **(Figure 6)**. Release the wiring harness from the back of the bumper.
4. Remove the remote key antenna from the back of the rear bumper, **(Figures 7 & 8)**. Align the remote antenna to the front of the mounting tabs on the back of the Rear Bumper. Use (2) 4mm Button Head Bolts, (4) 4mm Flat Washers, (2) 4mm Lock Washers and (2) 4mm Hex Nuts to attach the remote key antenna to the Rear Bumper, **(Figure 9)**.
5. **Models equipped with rear sensors:**
 - a. Remove each sensor from the back of the rear bumper.
 - b. Select (1) Sensor Foam Washer. Remove the OE washer from the front of the sensor. Place the provided Foam Washer onto the front of the sensor, **(Figure 10)**.

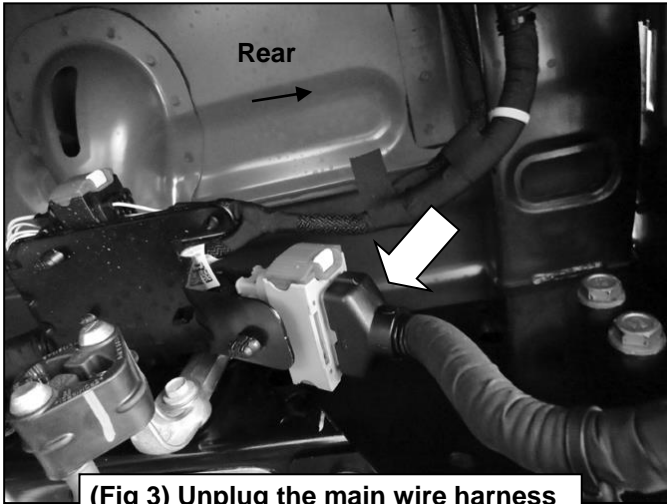
**LD2 REAR BUMPER
2019 DODGE RAM 1500**

- c. Slide the sensor tabs into the sensor sleeve openings on the back of the Rear Bumper. Attach (1) Foam Spacer to (1) Retaining Clip. Push and lock the Clip into the sensor sleeve holes, **(Figure 11)**.
 - d. Repeat the above steps for each rear sensor.
 6. Connect the main wire harness to the remote antenna and (6) sensors. **NOTE:** Cut the electrical tape between the two outer sensor connectors on the wire harness to reach the outer sensor sleeves.
 7. **If installing Lights at this time, (lights sold separately):**
 - a. Attach the lights to the mounting tabs on the back of the bumper.
 - b. Follow the light manufacture's instruction to properly wire lights to the vehicles electrical system.
- If installing Mesh Plates:**
- c. Attach each Mesh Plate to the back of the Bumper using (2) 6mm Combo Bolts and (2) 6mm Flange Nuts, **(Figure 12)**.
8. With assistance, position the Rear Bumper up to the factory hitch mounting brackets. Temporarily, support the weight of the Bumper Assembly. **WARNING:** To avoid possible injury or damage to the vehicle, do not proceed until the Bumper is fully and safely supported.
 9. Slide (1) 12mm Double Nut Plate through the back of the Bumper mounting bracket with the nuts towards the inside. Use (2) 12mm Hex Bolts, (2) 12mm Lock Washers and (2) 12mm Flat Washes to attach the Bumper to the factory hitch and Nut Plate, **(Figures 13 & 14)**. Repeat to install other side of the Bumper. Leave hardware loose at this time.
 10. Slowly open the tail gate and check for clearance. Level and adjust the Bumper and tighten hardware.
 11. Insert the included (2) push-in plugs to attach the license plate to the Elevation Bumper, **(Figure 15)**. Insert the included License Plate Light into the mounting hole in the bumper, **(Figure 15)**.
 12. Remove the outer towing harness plug from the OE bumper. Snap the plug into the opening in the Elevation Bumper, **(Figure 15)**.
 13. Connect the trailer plug and license plate light to the main wire harness. Then, connect the harness to the vehicle's harness.
 14. Do periodic inspections to the installation to make sure that all hardware is secure and tight.

To protect your investment, wax this product after installing. Regular waxing is recommended to add a protective layer over the finish. Do not use any type of polish or wax that may contain abrasives that could damage the finish. Mild soap may be used to clean the Rear Bumper assembly.

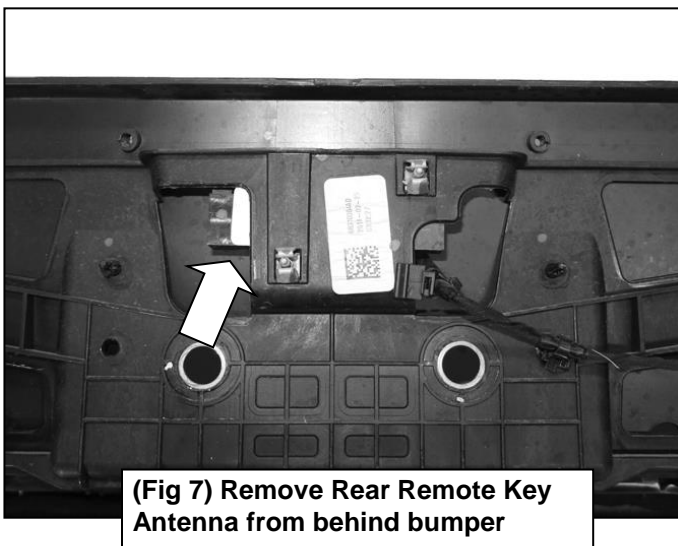
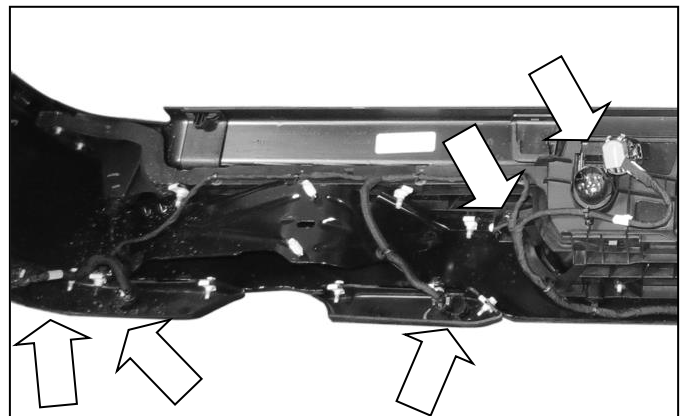
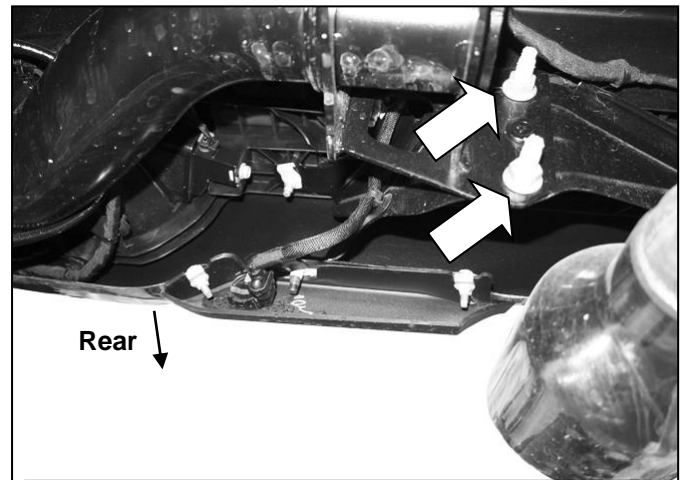
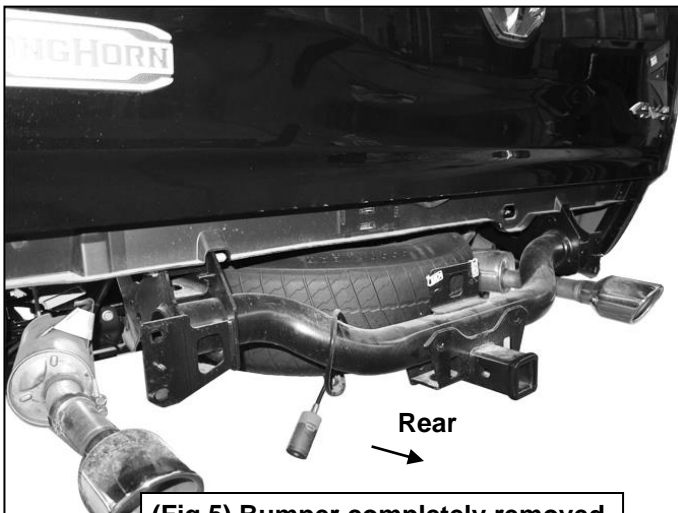


**LD2 REAR BUMPER
2019 DODGE RAM 1500**



WARNING! Do not remove bumper bolts unless the bumper is properly supported on blocks or stands or the bumper may fall.

Models with dual exhaust, allow exhaust to completely cool before starting installation

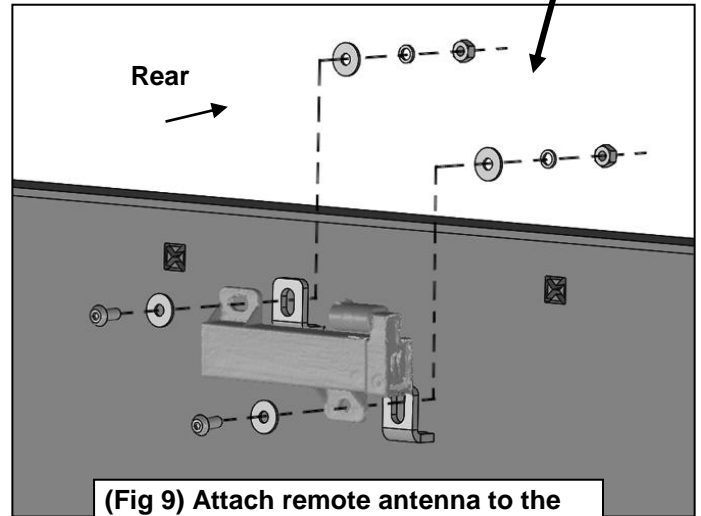


**LD2 REAR BUMPER
2019 DODGE RAM 1500**



(Fig 8) Rear Remote Key Antenna

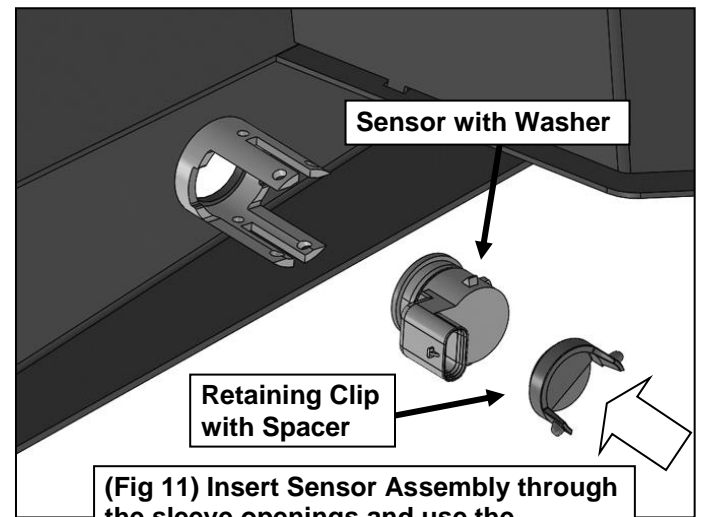
- (2) 4mm Button Head Bolts
- (4) 4mm Flat Washers
- (2) 4mm Lock Washers
- (2) 4mm Hex Nuts



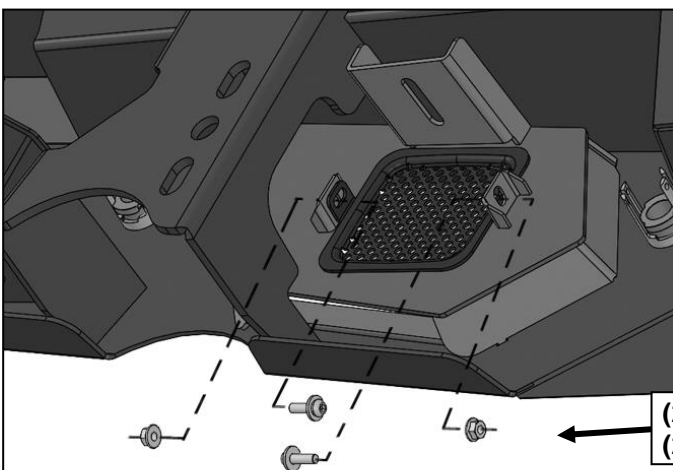
(Fig 9) Attach remote antenna to the back of the Rear Bumper illustrated



(Fig 10) Remove OE sensor washer and place the provided Foam Washer onto the front of the sensor



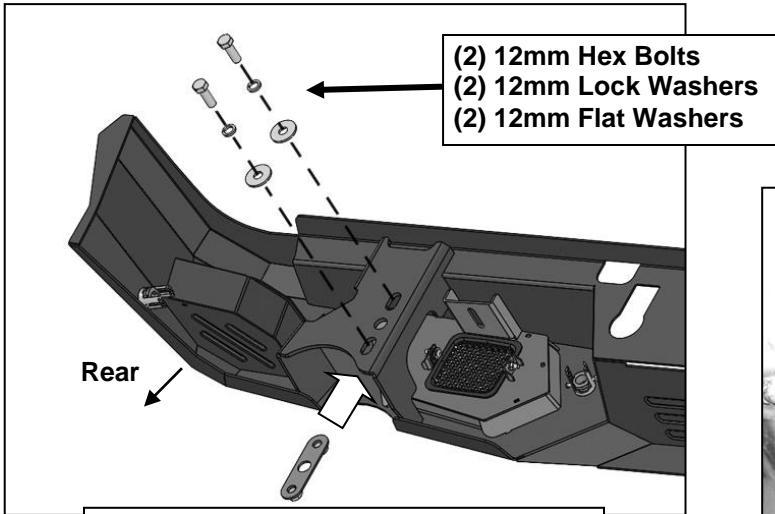
(Fig 11) Insert Sensor Assembly through the sleeve openings and use the Retaining Clip to secure sensor in place



- (2) 6mm Combo Bolts
- (2) 6mm Flange Nuts

(Fig 12) Mesh Plate attached to the back of Bumper

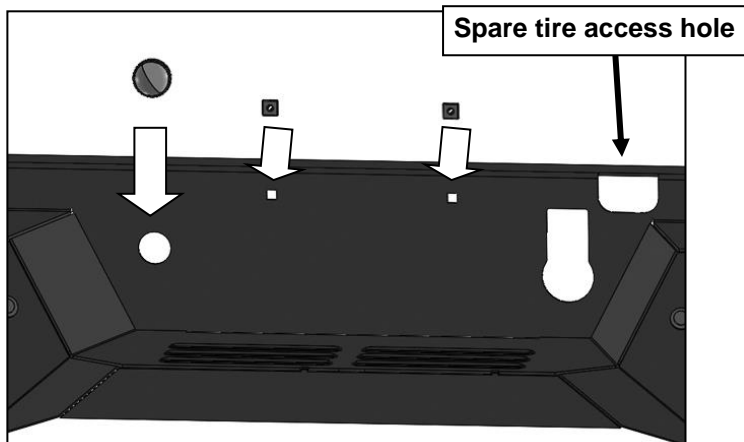
**LD2 REAR BUMPER
2019 DODGE RAM 1500**



(Fig 13) With assistance, slide Nut Plate through the back of the Bumper



(Fig 14) Passenger side of the Rear Bumper attached to the factory hitch



(Fig 15) Use the (2) plugs to attach the license plate to the front of the bumper. Attach the license plate light and trailer plug to the front as well.

WARNING! Do not crawl under bumper unless the bumper is properly supported on blocks or stands or the bumper may fall.



[View other off-road bumpers made by Black Horse on our website.](#)