



**INSTALLATION INSTRUCTIONS**  
**REAR BUMPER GUARD (DOUBLE LAYER) FOR NISSAN**  
**PATHFINDER 13-20**  
**PART # CRDL-NIN201S**

# INSTALLATION INSTRUCTIONS


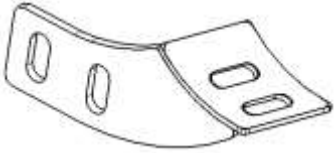
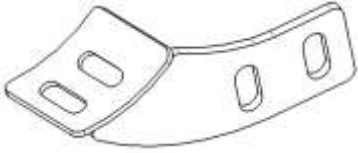

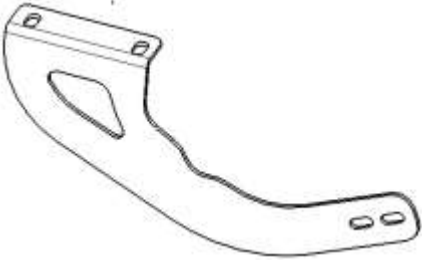
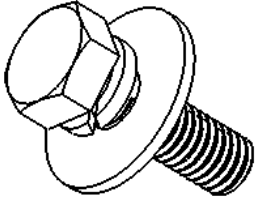
## Before Installation

- Please read the instruction completely for easy installation, which will also help you to avoid scratches or other potential damages to your appealing car.
- The information shown here is for reference only and may differ from the product that you receive, however the goods are fitted in the same way.

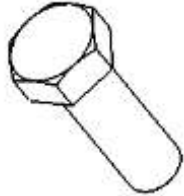





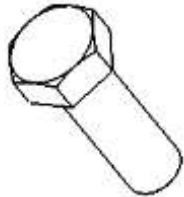
## Care and Cleaning

- Mild soap may be used also to clean the Product.
- Please periodically check and retighten all the hardware and clean the investment for a refresh look.

## Parts list

| NO. | QTY | PICTURE  | NO. | QTY | PICTURE  |
|-----|-----|--|-----|-----|--|
| ①   | 1   | <br>Rear bumper guard | ②   | 1   | <br>Bracket-A(L)          |
| ③   | 1   | <br>Bracket-A(R)      | ④   | 1   | <br>Bracket-B(L)          |
| ⑤   | 1   | <br>Bracket-B(R)      | ⑥   | 4   | <br>Assembling bolt M8*25 |

## INSTALLATION INSTRUCTIONS

|   |   |  |   |   |  |
|---|---|--|---|---|--|
| ⑦ | 4 | <br>Hex Bolt M10*35   | ⑧ | 8 | <br>Flat washer D10   |
| ⑨ | 4 | <br>Spring washer D10 | ⑩ | 4 | <br>Nut D10           |
| ⑪ | 4 | <br>Flat washer D12   | ⑫ | 4 | <br>Spring washer D12 |
| ⑬ | 4 | <br>Hex Bolt M12*35 |   |   |  |

### Installation Steps

STEP 1: Check all the contents are available in accordance with the above list.

STEP 2: Using M12\*35 bolt to install Bracket-B-L/R as FIG.2 ,Do not tighten all the bolts.

STEP 3: As the FIG.1,first Connect Bracket-A&B ,then install the rear bar on Bracket-A-L&B.

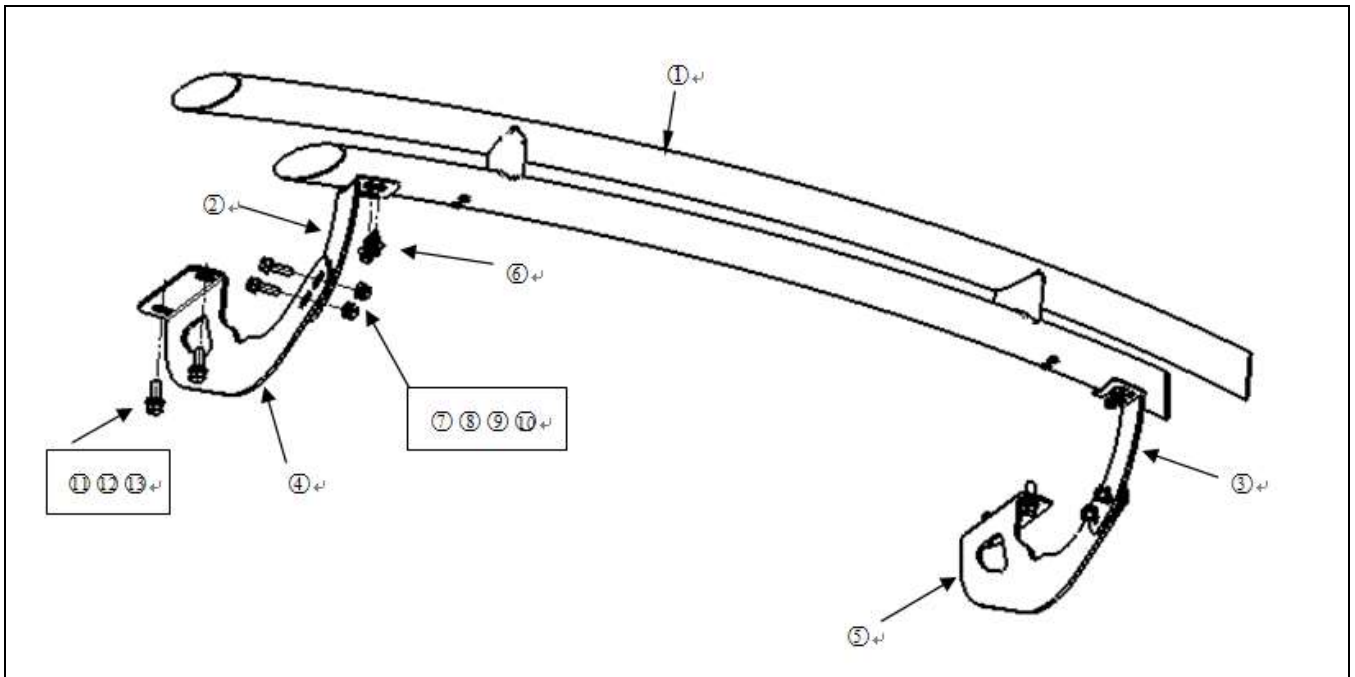
Do not tighten all the bolts.

STEP 4: Test and make sure that the rear bar is steadily fixed, and then tighten all the hardware.

STEP 5: Installation is finished.

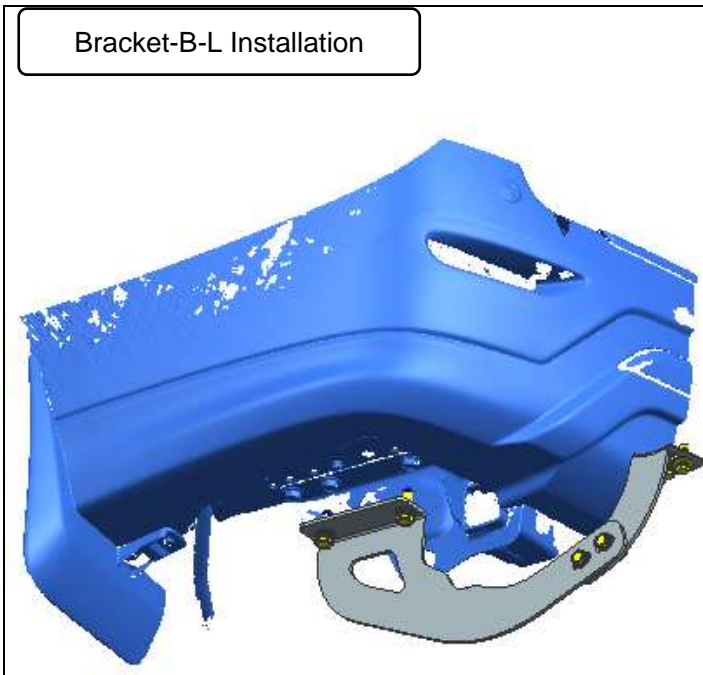
# INSTALLATION INSTRUCTIONS

PIC1

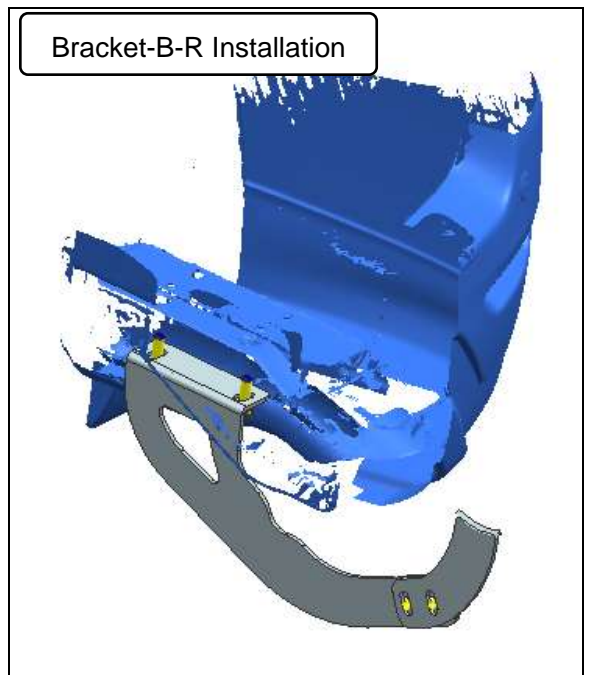


PIC2

Bracket-B-L Installation



Bracket-B-R Installation



## NOTE

Any damages and losses caused by improper installation and application, goes beyond our quality warranty.