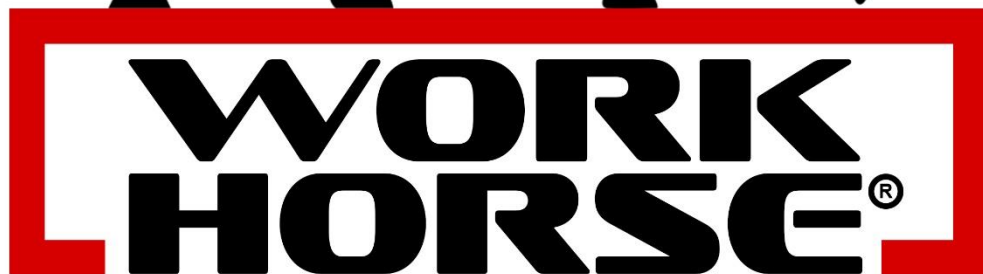
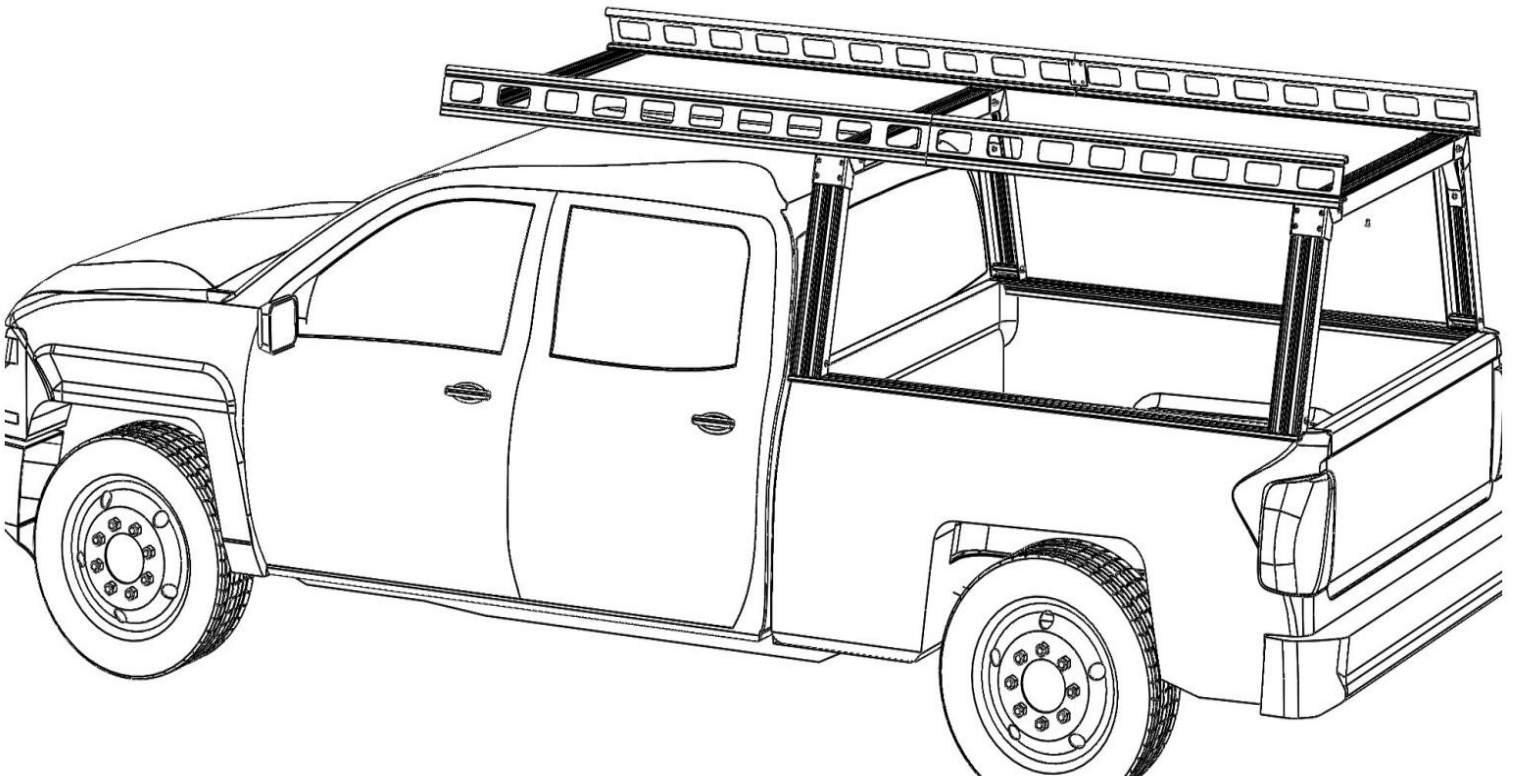

INSTALLATION INSTRUCTIONS

CSFRHD55, CSFRHD55B, CSFRHD65, CSFRHD65B, CSFRHD8, CSFRHD8B

































**WORK HORSE UTILITY RACKS OVER CAB SYSTEM
INSTALLATION INSTRUCTIONS**

For Part # CSFRHD55, CSFRHD55B, CSFRHD65, CSFRHD65B, CSFRHD8, CSFRHD8B



**WORK HORSE UTILITY RACKS OVER CAB SYSTEM
INSTALLATION INSTRUCTIONS**

For Part # CSFRHD55, CSFRHD55B, CSFRHD65, CSFRHD65B, CSFRHD8, CSFRHD8B

Hardware			
Item	Description	Qty	Image
H1	M10 Flat Washer	8	
H2	M10 Lock Nut	6	
H3	M10 Lock Washer	2	
H4	M10 Thumb Nut	2	
H5	M10 X 125 mm Button Head	4	
H6	M10 X 138 mm Button Head	4	
H7	M6 Flat Washer	16	
H8	M6 Lock Nut	8	
H9	M6 X 25 mm Button Head Bolt	8	
H10	M8 Flat Washer	8	
H11	M8 Hex Nut	24	
H12	M8 Lock Washer	28	
H13	M8 T-Nut	16	
H14	M8 X 20 MM T-bolt	12	
H15	M8 X 26 MM T-Bolt	8	
H16	M8 Star Washer	16	
H17	M8 Thumb Nut	2	
H18	M8 X 20mm Carrige Bolt	4	
H19	M8 X 12mm Button Head Bolt	16	
H20	M8 X 20 MM Button Head Bolt	4	
H22	M8 X 25mm button head	8	
h23	M8 Hex Nut	8	
h24	M8 Flat Washer	8	
H25	M8 Lock Washer	8	
m26	Connecting Plate	2	
M27	Rail Connector	2	
m28	M6 X6mm set screw	4	
m28	M8 T-Nut	4	
m29	M8 X 12mm Button Head Bolt	4	
m29	M8 Star Washer	4	

**WORK HORSE UTILITY RACKS OVER CAB SYSTEM
INSTALLATION INSTRUCTIONS**

For Part # CSFRHD55, CSFRHD55B, CSFRHD65, CSFRHD65B, CSFRHD8, CSFRHD8B

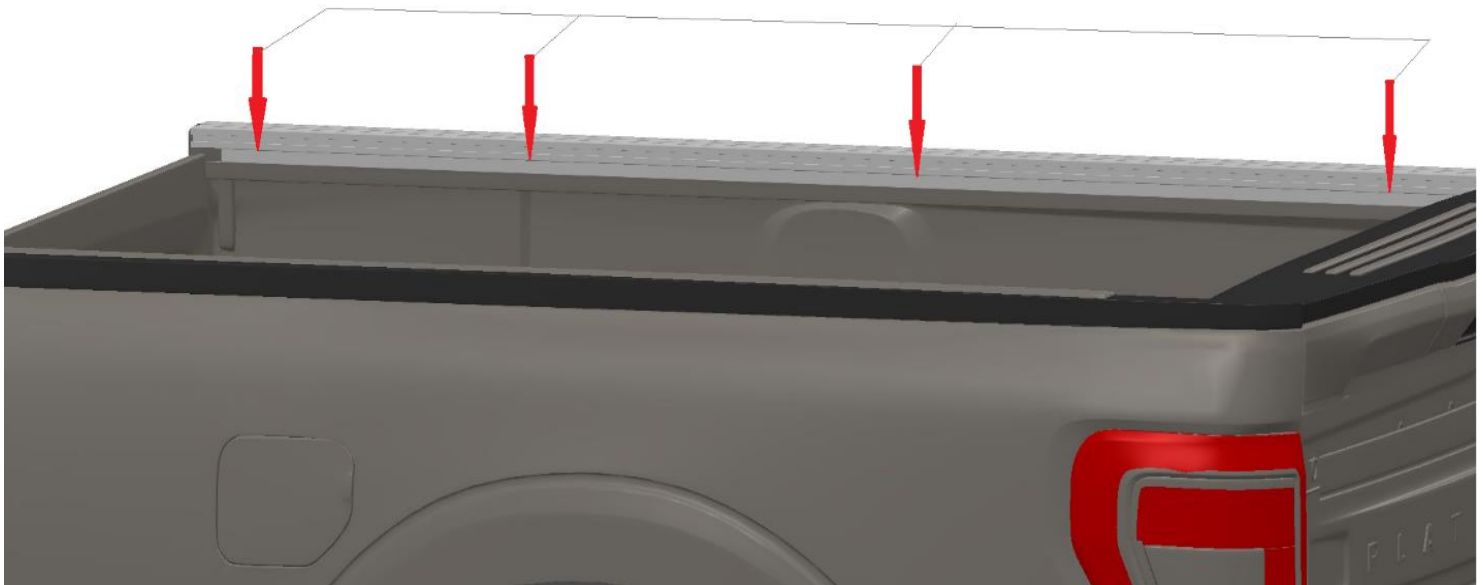
Components			
Item	Description	Qty	Image
OC1	Base Rail Left	1	
OC2	Base Rail Right	1	
OC3	Up-Right	4	
OC4	Cross Member	2	
OC5	Upper Bracket	4	
OC6	Upper Support Bracket	4	
OC7	Lower Bracket	4	
OC8	Over Cab Rail Rear	2	
OC9	Over Cab Rail Front	2	
OC10	Over Cab Cross Bar	3 1	

WORK HORSE UTILITY RACKS OVER CAB SYSTEM INSTALLATION INSTRUCTIONS

For Part # CSFRHD55, CSFRHD55B, CSFRHD65, CSFRHD65B, CSFRHD8, CSFRHD8B

Bed Rails Installation:

1. Measure the truck's bed rail length from the front bulkhead to the tailgate. Trim both base rails if necessary to match the bed's length.
2. Position the base rail with channel inside the truck bed, with the notched end facing forward. Ensure the front aligns flush with the bed's front, and the rear sits flush with the bed's back, allowing the tailgate to open and close unobstructed.
3. Use clamps to secure the base rails tight against the truck before starting the bolt installation.
4. Mark and drill holes, using a 5/16 drill bit, in the base rail and bed rails. Place holes approximately 4" from each end and add two more between the two end bolts. Double-check the chosen locations to ensure sufficient clearance beneath the bed rails for attaching nuts.
5. Remove the bed rails and treat any exposed bare metal exposed by drilling, with a rust inhibitor.
6. Replace the bed rails and secure with the 4 M6 Button Head Bolts on each side, install the lock nuts and washers, and tighten.



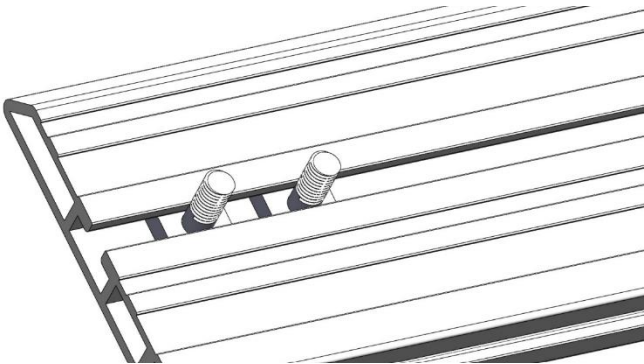
WORK HORSE UTILITY RACKS OVER CAB SYSTEM INSTALLATION INSTRUCTIONS

For Part # CSFRHD55, CSFRHD55B, CSFRHD65, CSFRHD65B, CSFRHD8, CSFRHD8B

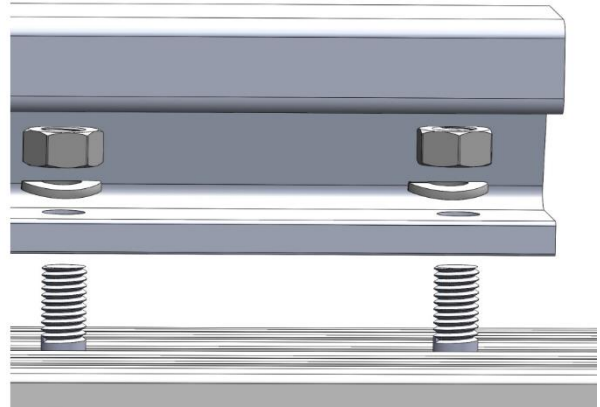
Lower Brackets Installation:

7. Insert 4 M8 X 20mm T-bolts positioning 2 at the front and 2 at the rear of each bed rail. (see Fig 1).
8. Attach lower brackets to installed t-bolts using m8 lock washers and M8 nuts. (see Fig 2). Do not tighten down as these will need to slide to locate the support arms.

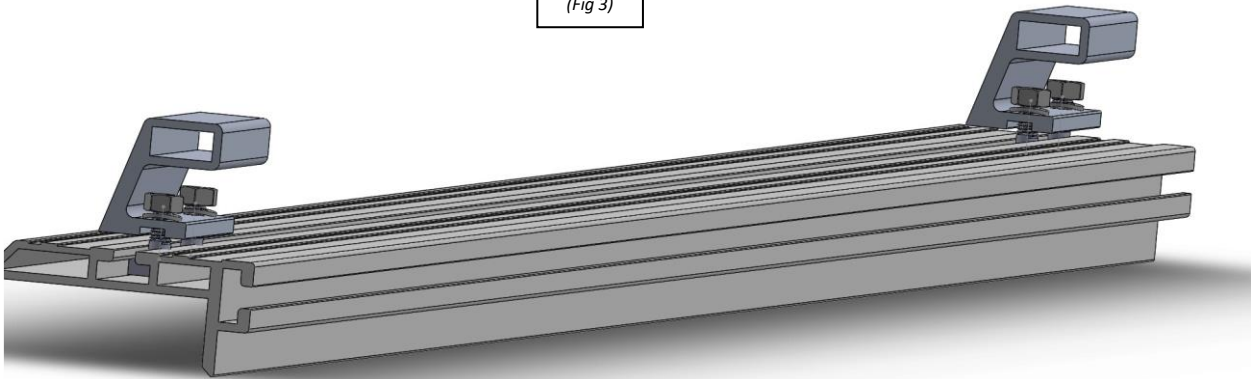
(Fig 1)



(Fig 2)



(Fig 3)



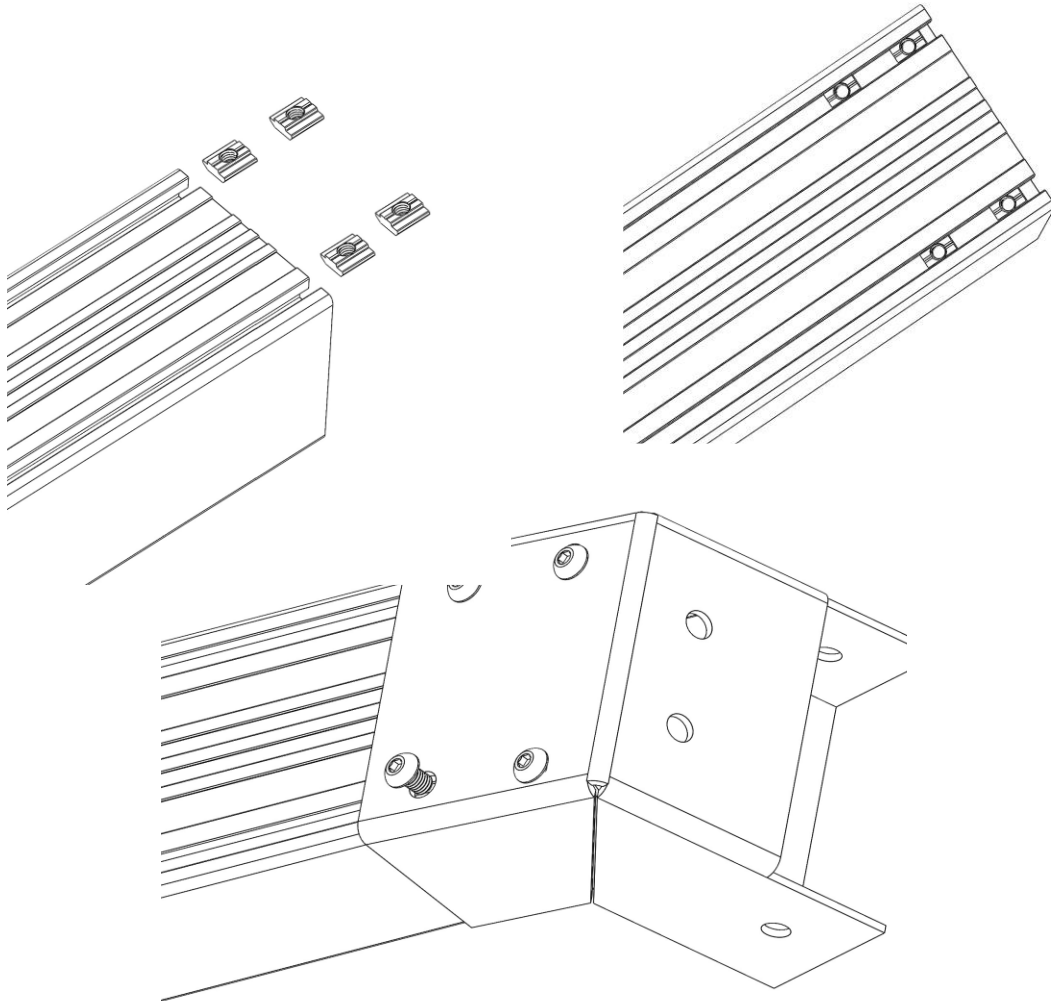
WORK HORSE UTILITY RACKS OVER CAB SYSTEM INSTALLATION INSTRUCTIONS

For Part # CSFRHD55, CSFRHD55B, CSFRHD65, CSFRHD65B, CSFRHD8, CSFRHD8B

Upper Bracket and Cross Member assembly:

9. Insert 4 T-Nuts into the upper end of all 4 uprights. (see Fig 4)
10. Attach the upper brackets to the uprights using 4-M8 X 12MM bolts and 4 Star Washers fully tighten hardware.

(Fig 4)



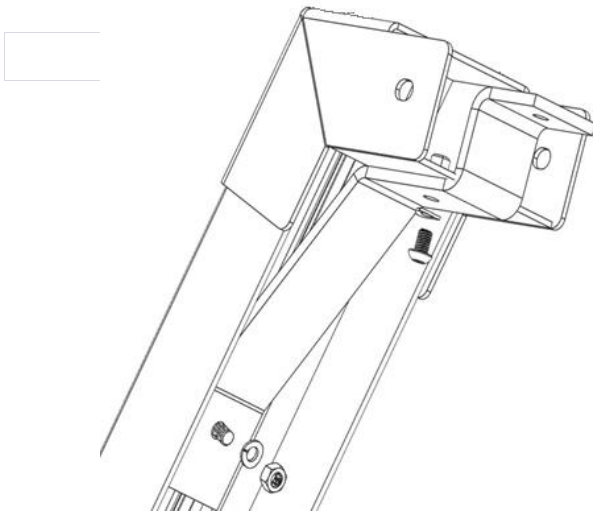
WORK HORSE UTILITY RACKS OVER CAB SYSTEM INSTALLATION INSTRUCTIONS

For Part # CSFRHD55, CSFRHD55B, CSFRHD65, CSFRHD65B, CSFRHD8, CSFRHD8B

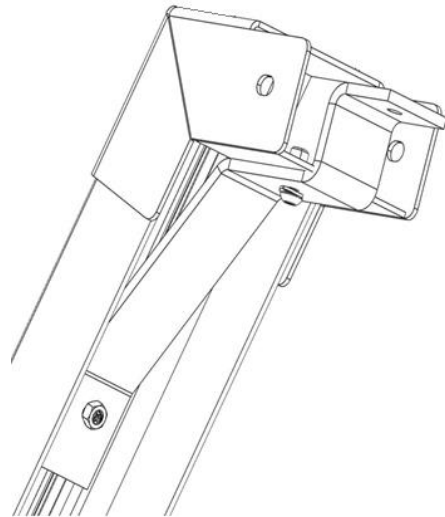
Upper Support Brackets:

11. *Temporarily Secure upper support brackets to M8 X 20mm T-Bolts to the uprights using M8 Nuts and lock washers on the T-bolts and M8 X 20mm bolts and lock washers to upper brackets. (see fig 6 and 7) These will need to be removed to install over cab system.*

(Fig 6)



(Fig 7)



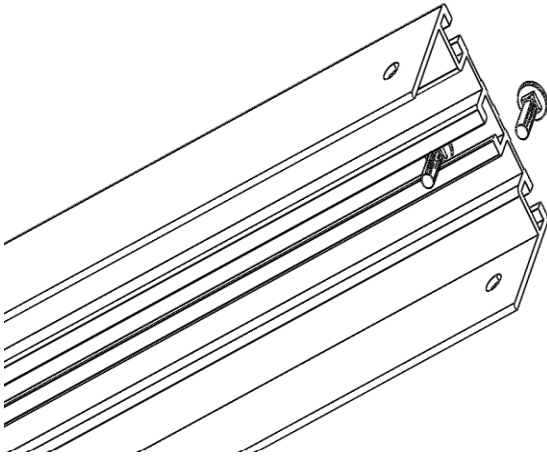
WORK HORSE UTILITY RACKS OVER CAB SYSTEM INSTALLATION INSTRUCTIONS

For Part # CSFRHD55, CSFRHD55B, CSFRHD65, CSFRHD65B, CSFRHD8, CSFRHD8B

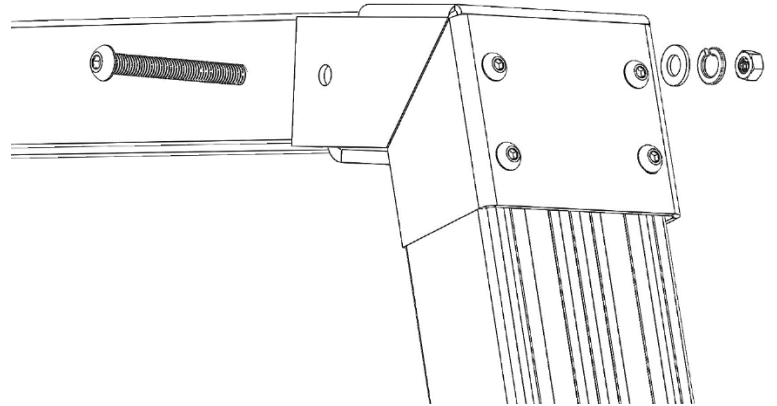
Mounting Cross Sections:

12. Insert 2 M8 X 20mm carriage bolts in each of the cross bars. (Fig 8)
13. Attach the cross bar to upper brackets using M10x138mm Button Head Bolts and M10 Ny-lock Nuts on front uprights. (Fig 9) Do not tighten hardware at this time.
14. For rear, (at tail gate) use M10x138mm Button Head Bolt and M10 Thumb-Nut for easy removal. (Fig 10) Do not tighten hardware at this time.

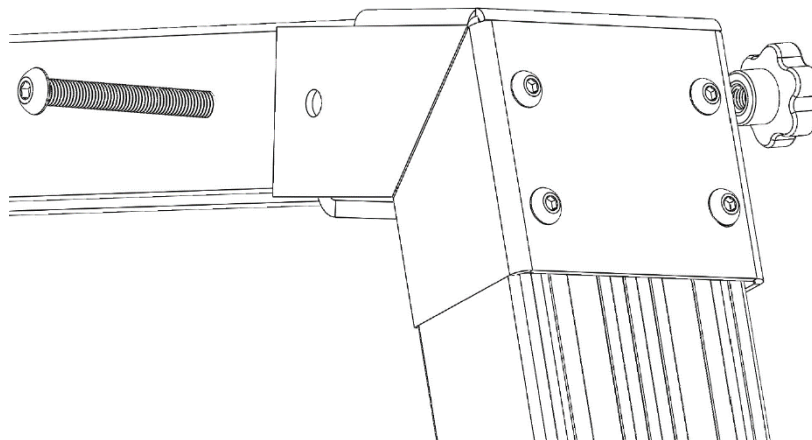
(Fig 8)



(Fig 9)



(Fig 10)



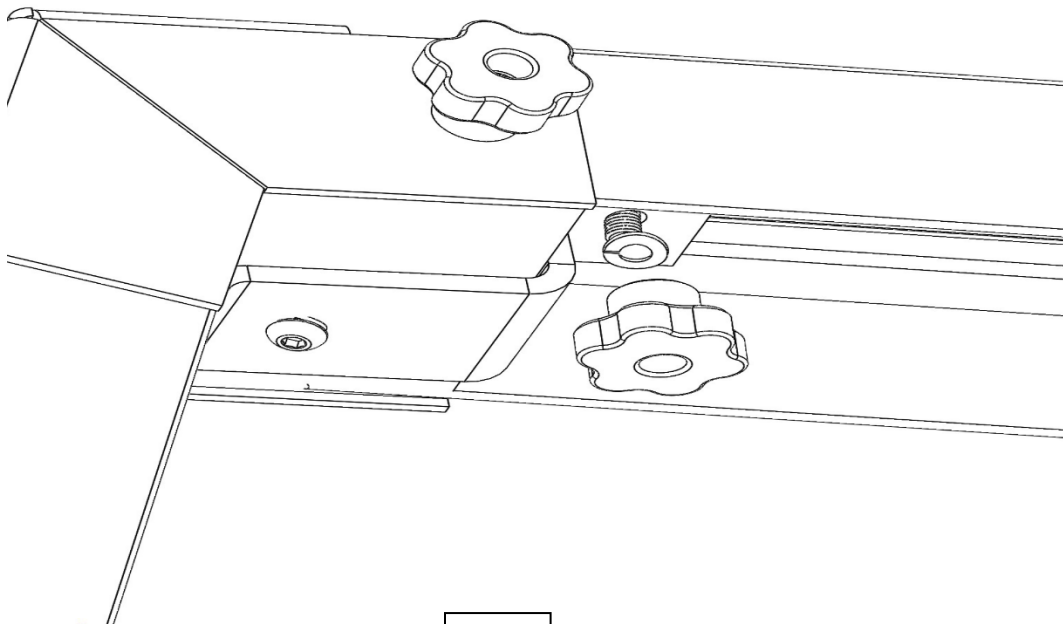
WORK HORSE UTILITY RACKS OVER CAB SYSTEM INSTALLATION INSTRUCTIONS

For Part # CSFRHD55, CSFRHD55B, CSFRHD65, CSFRHD65B, CSFRHD8, CSFRHD8B

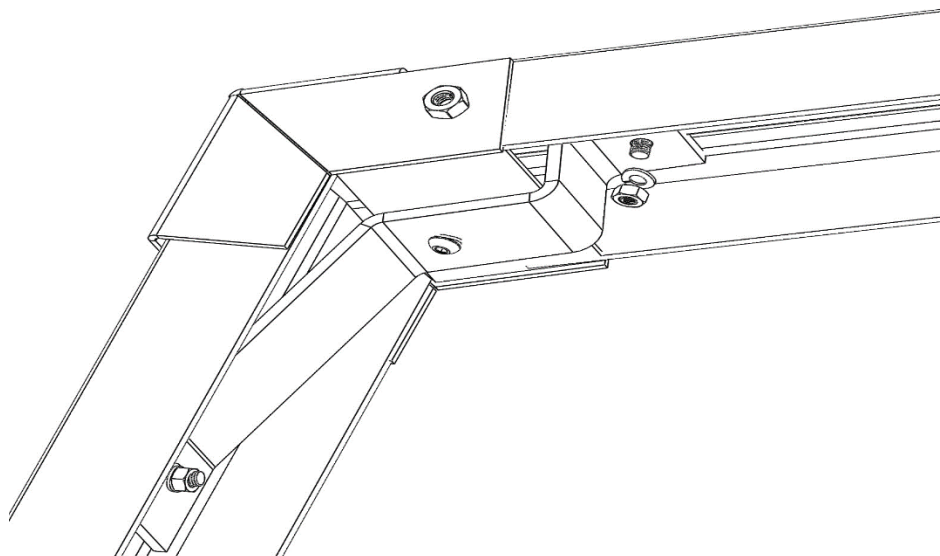
Attaching upper support bracket:

15. Using a m8 thumb-nut attach the upper support bracket to the cross bar for the rear assemblies. (Fig 11) Do not tighten hardware at this time.
16. Using a m8 nut attach the upper support bracket to the cross bar for the front assemblies. (fig 12) Do not tighten hardware at this time.

(Fig 11)



(Fig 11)



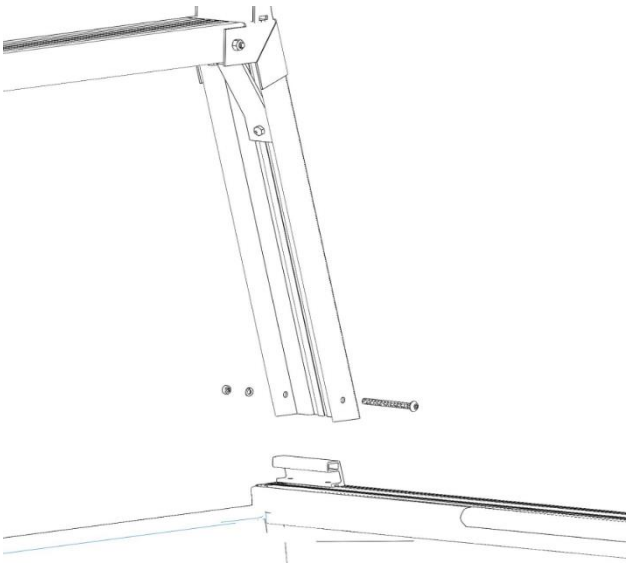
WORK HORSE UTILITY RACKS OVER CAB SYSTEM INSTALLATION INSTRUCTIONS

For Part # CSFRHD55, CSFRHD55B, CSFRHD65, CSFRHD65B, CSFRHD8, CSFRHD8B

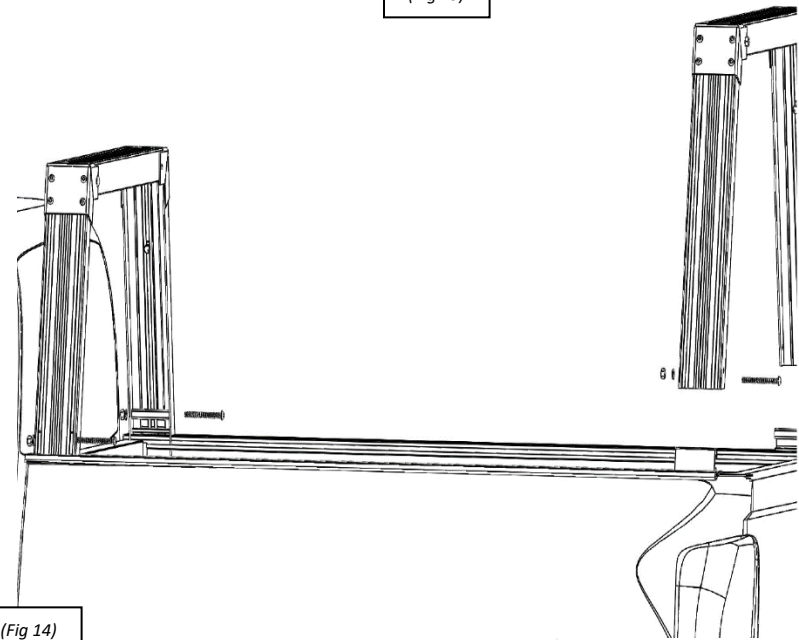
Install Assembled Frames:

17. Slide fully assembled frames over the lower brackets.
18. Insert M10 x 125mm bolts through holes in the base of the uprights and sleeve brackets. Attach with m10 bolt and flat washer repeat for all 4 brackets Fully tighten all hardware.

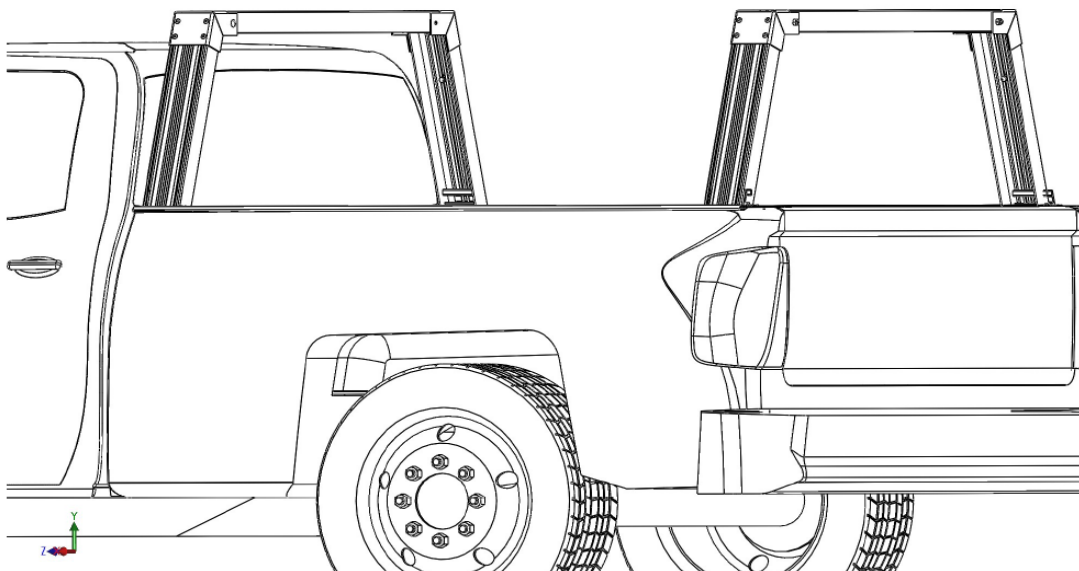
(Fig 12)



(Fig 13)



(Fig 14)

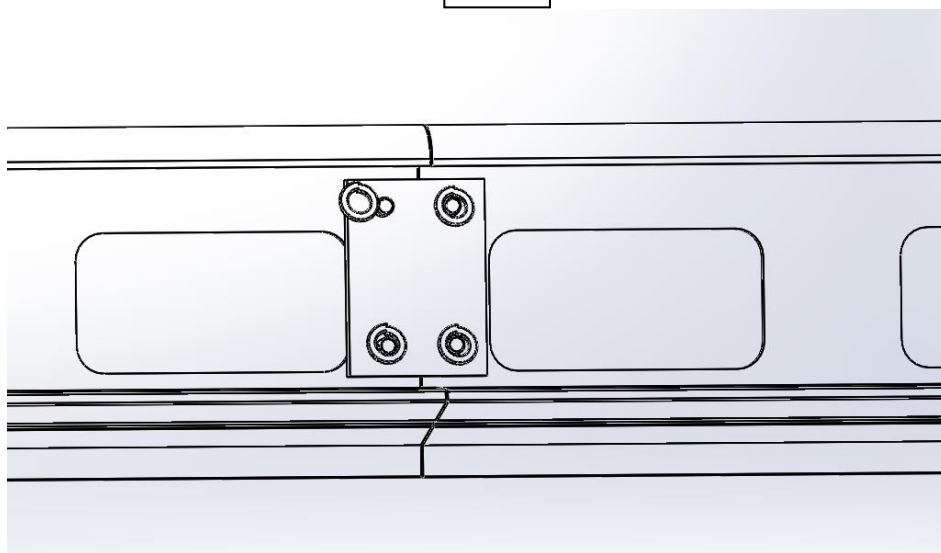
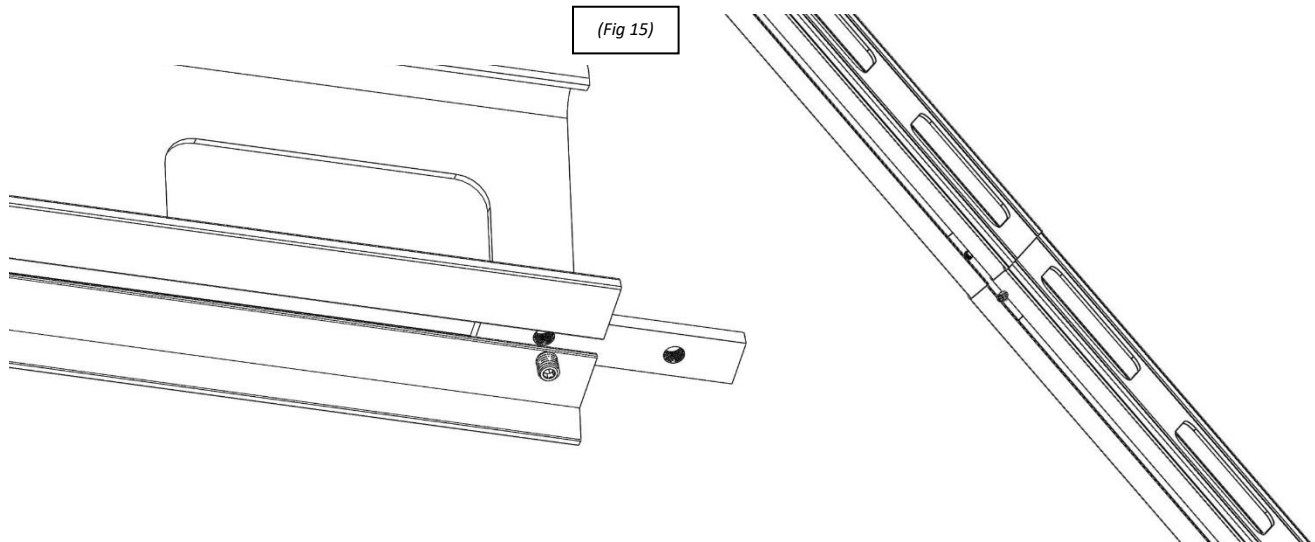


WORK HORSE UTILITY RACKS OVER CAB SYSTEM INSTALLATION INSTRUCTIONS

For Part # CSFRHD55, CSFRHD55B, CSFRHD65, CSFRHD65B, CSFRHD8, CSFRHD8B

Assemble over cab rails:

19. Slide one Rail Connector halfway into each of the front Over Cab Rails (see Fig 15) The front Rails are the longer ones. Thread and tighten one M6 set screw into the rail connector.
20. Using the rail connector as a guide attach the Rear Over Cab rails to the front Rails. Thread and tighten one M6 set screw into the rail connector.
21. Using 4 M8 x 12mm Button head screws, M8 Split ring lock washers and M8 nuts attach the connecting plate to the over cab Rails.



WORK HORSE UTILITY RACKS OVER CAB SYSTEM INSTALLATION INSTRUCTIONS

For Part # CSFRHD55, CSFRHD55B, CSFRHD65, CSFRHD65B, CSFRHD8, CSFRHD8B

Install over cab rails:

22. Remove Upper support brackets.
23. Insert 4 M8 x 26mm t-bolts (2 towards the front and 2 towards the rear in each of the assembled over cab rails.
24. Attach the over cab rails to the Upper brackets using lock washers and M8 nuts.
25. Reinstall upper support brackets check alignment and tighten all hardware.
26. Insert 1 slot nut in each of the over cab rails at in the front of the rails.
27. Attach the over cab cross bar to rails using M8 x 12mm button head screws.

