



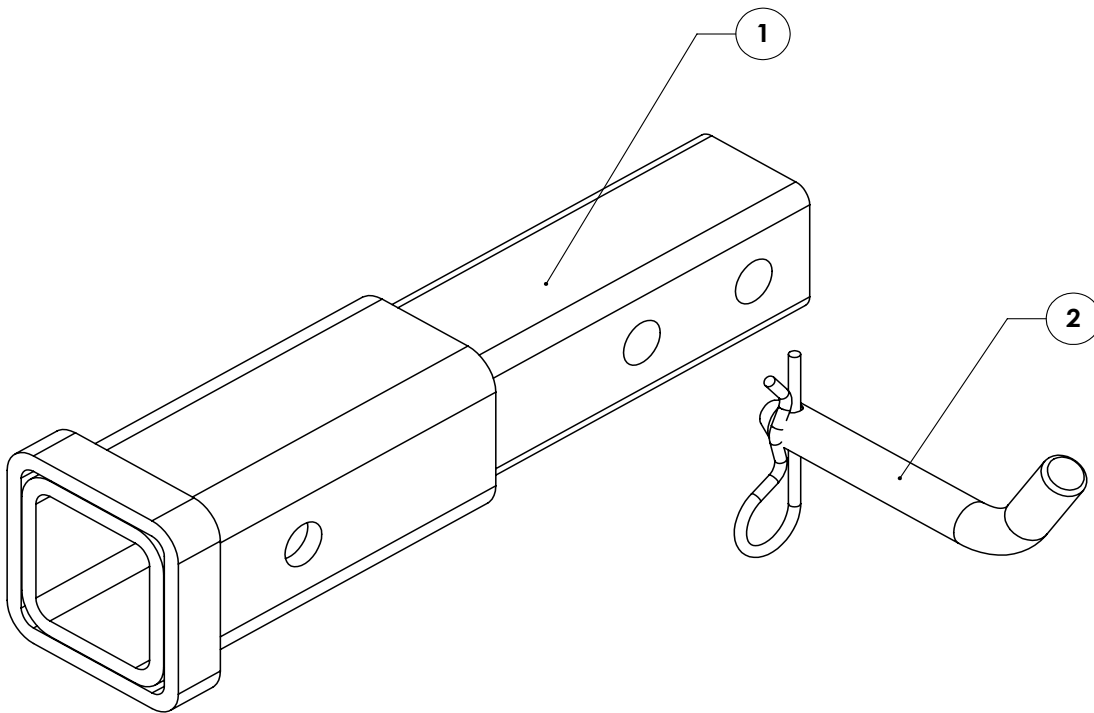
**BLUE OX®**

**BX88265**

## 6" Class IV Receiver Extension Installation Instructions

1. Slide the receiver extension into the receiver hitch and pin it in place with the 5/8" pin and clip provided. \*Maximum weight distributing of 1,000 lbs at tongue, with 10,000 lbs towing capacity.

**Note: Intended to be used for Flat Towing.**



### Parts List

Ref. No.	Qty.	Part No.	Description
1	1	61-6928	Weldment, 6" Receiver Extension, BX88265
2	1	200-1483	Pin, 5/8 X 3 Eff. w/ clip