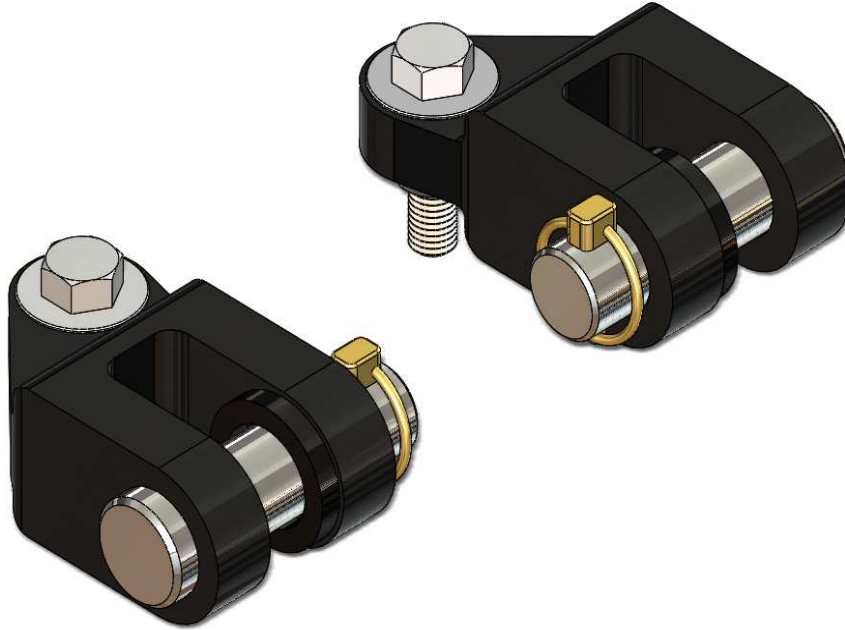
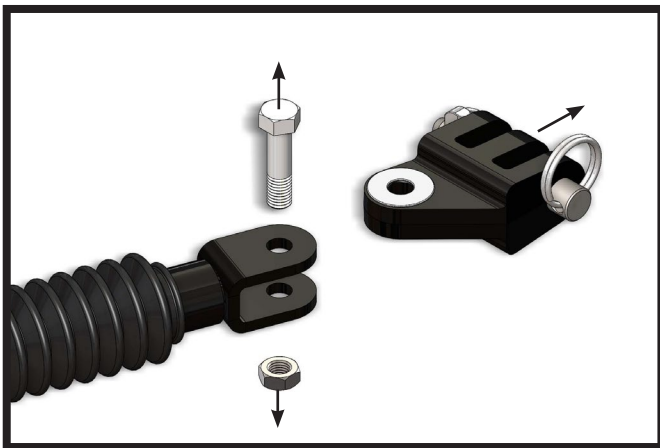




BX88307 Hammerhead Bumper Adapter Installation Instructions



When using a Blue Ox adapter to flat tow a vehicle by the aftermarket bumper, it is the customer's responsibility to contact the bumper manufacturer and verify that the vehicle can be towed by the aftermarket bumper.

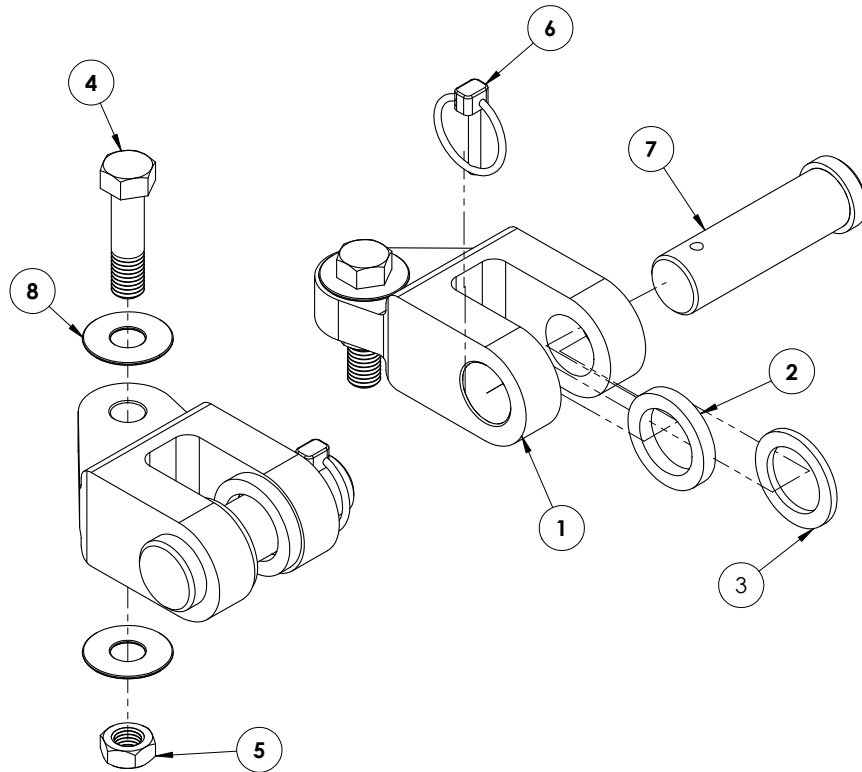


1. Using a 3/4" socket and wrench, remove the existing 1/2"-13 bolt and 1/2"-13 jam nut from the tow bar leg. Remove the existing lug and washers from the tow bar leg. Do this on both tow bar legs.



2. Install the offset double lug onto the tow bar leg with the new washers, 1/2"-13 x 2" bolt and 1/2"-13 jam nut provided. Tighten the bolt until the lug is tight against the washers, but can still freely move side to side. Do this on both tow bar legs.

BX88307 Hammerhead Bumper Adapter Installation Instructions



Tools Required
3/4" Socket
3/4" Wrench

Item No.	Part No.	Description	Qty.
1.....	102-7583	Offset Double Lug.....	2
2.....	107-3534	1/4" Spacer Bushing.....	2
3.....	107-3615	1/8" Spacer Bushing.....	2
4.....	201-0645	1/2"-13 x 2" Hex Head Bolt, Short Thread	2
5.....	202-0143	1/2"-13 Essna Jam Nut, ZP	2
6.....	229-0829	Quick Pin	2
7.....	229-0934	1" Dia x 2-11/16" Eff. Pin, ZP.....	2
8.....	290-0381	Washer, .523" ID x 1.363" OD	4

Note: If the bumper attachment plate is 3/4" thick use the supplied 1/4" spacer between the plate and lug.
If the bumper attachment plate is 7/8" thick use the supplied 1/8" spacer between the plate and lug.