



MODEL TC400
TIRE CART

Installation, Operation
& Repair Parts
Information



TABLE OF CONTENTS

SAFETY INSTRUCTIONS	2
DEFINITIONS	2
SPECIFICATIONS	3
INSTALLATION INSTRUCTIONS	3
OPERATING INSTRUCTIONS	3
REPAIR PARTS	4
WARRANTY	7

SAFETY INSTRUCTIONS

- NEVER allow unauthorized personnel to operate this product.
- NEVER use this product for anything other than its intended use.
- THOROUGHLY train new employees in the proper use and care of this product.
- PROHIBIT unauthorized personnel from being in shop area while this product is in use.

DEFINITIONS

- **CAUTION:** Indicates a potentially hazardous situation, which if not avoided, may result in damage to property or minor personal injury.
- **HAZARD:** A source of potential injury to a person.
- **MAINTENANCE:** Those actions that preserve the correct and proper conditions under which the machine shall be used. This may include adjustment, replacement of wear items, lubrication and cleaning, but not modifications or repair of damage.
- **MAY:** This word is understood to be permissive.
- **MUST:** This word is understood to be mandatory.
- **OPERATION:** The correct and proper use of the machine as described in this manual.
- **SAFETY ALERT SYMBOL:** A symbol that indicates a potential personal safety hazard. It is composed of an equilateral triangle surrounding an exclamation point.
- **SHALL:** This word is understood to be mandatory.
- **SHOULD:** This word is understood to be advisory.
- **WARNING:** Indicates a potentially hazardous situation, which if not avoided, may result in death or serious personal injury.

CAUTION

- ◆ Before using this product, read and fully understand the operating instructions and all decals on the product. This is necessary to prevent injury to the operator and damage to the product.
- ◆ Do not attempt to use this product for anything other than its intended purpose.
- ◆ Do not use this product if it is visibly worn, distorted or damaged.

SPECIFICATIONS

Max. Tire Stack Height61.5 in
Max. Weight Capacity.....400 lbs
Min./Max. Tire Diameters20 / 37 in (51 / 94 cm)

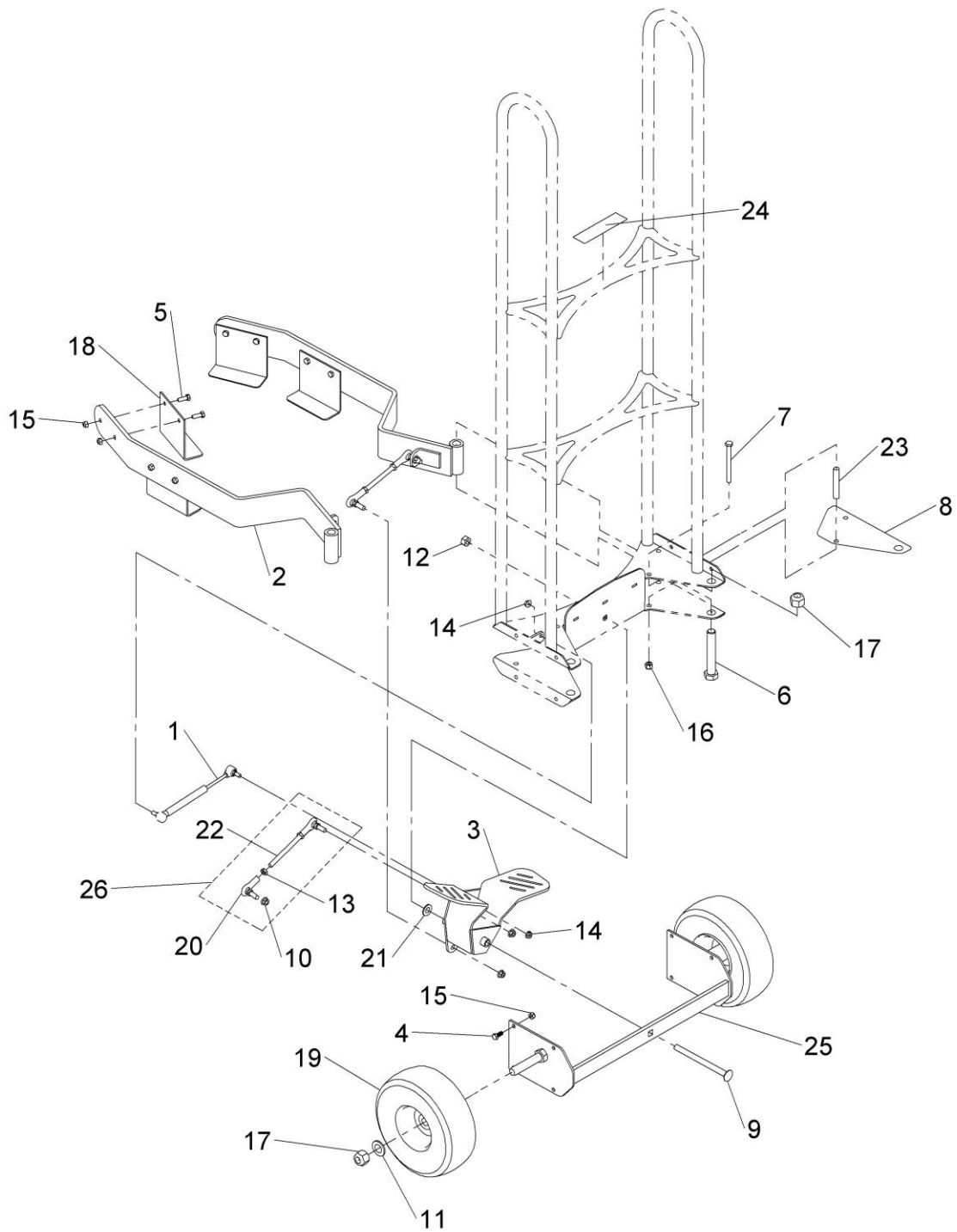
INSTALLATION INSTRUCTIONS

1. Unpack and remove the unit from the shipping carton / pallet.
2. Inspect the unit for any visible damage.

OPERATING INSTRUCTIONS

1. Press the raised foot pedal down to open cradle arms.
2. Move cart forward so that tire stack is centered on frame and between cradle arms.
3. Slowly release foot pedal to close arms.
4. Tilt top of cart towards you while steadying tire stack.
5. Move tire stack to new location and slowly straighten cart to upright position.
6. To release tire stack, depress raised foot pedal and move cart back.
7. Once clear of tire stack, slowly release pedal.

REPAIR PARTS



MODEL TC400 SERVICE PARTS

ITEM	PART NO.	QTY	DESCRIPTION
1	01-0203	1	GAS SPRING ASSEMBLY
2	03-0337	2	ARM
3	03-0590	1	PEDAL
4	028-012	8	5/16-18 x 3/4 HHC SCREW
5	028-060	8	5/16-18 X 7/8 HHC SCREW
6	028-335	2	3/4-10 X4-1/2 HHC SCREW
7	028-341	4	3/8-16 X4 HHC SCREW
8	046-072	2	ARM PAD
9	50-0100	1	1/2-13 X 6-1/2 CARRIAGE BOLT
10	51-0022	4	3/8-24 SF HEX LOCK NUT
11	52-0021	2	3/4 SAE FLAT WASHER
12	51-0059	1	1/2-13NC NYLON JAM NUT
13	055-073	4	3/8-24 HEX JAM NUT
14	055-105	2	5/16-18 SF HEX LOCK NUT
15	055-145	16	5/16-18 NYLON HEX LOCK NUT
16	055-154	4	3/8-16 NYLON HEX LOCK NUT
17	055-157	4	3/4-10 NYLON HEX LOCK NUT
18	72-0108	4	TIRE REST BRACKET
19	106-016	2	TIRE & WHEEL ASSEMBLY
20	107-093	4	ROD END
21	108-044	3	1/2 SAE FLAT WASHER
22	149-315	2	THREADED ROD
23	268-494	4	SPACER
24	80-0397	1	DECAL, TC400
25	878-033	1	WHEEL BRACKET
26	01-0264	2	TIE ROD ASSEMBLY