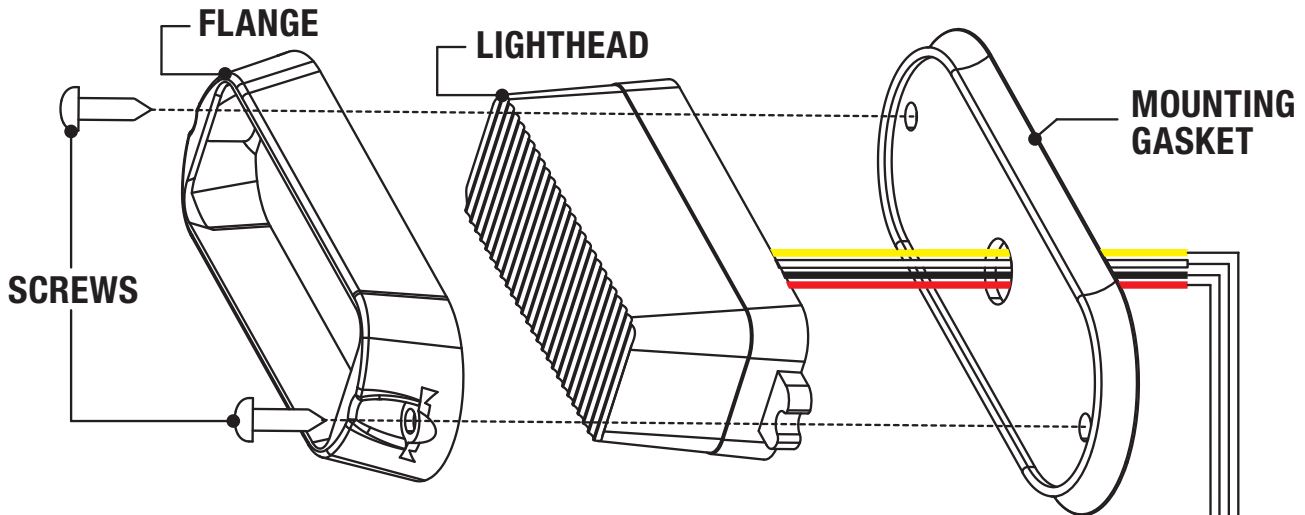


8891120, 8891121, 8891130, 8891131, 8891132 Mini Strobes



To +12VDC (fuse @ 3A) RED

To Classis Ground BLACK

For Simultaneous or Alternating Flash WHITE

Group 1 Heads:(Wiring-WHITE connected to RED) will flash together
 Group 2 Heads:(Wiring-WHITE not connected to RED) will flash together
 Group1 Heads will alternate with Group2 Heads

For Synchronization & Flash Patterns YELLOW

Connect YELLOW wires of all heads together for synchronization
 *All heads must be set at the same pattern
 attention: Lightheads will not sync on the random pattern (pattern 1)

#	FLASH PATTERN
1	Random (default)
2	Single (split)
3	Double (split)
4	Quad (split)
5	Quint (split)
6	Mega (split)
7	Ultra (split)

#	FLASH PATTERN
8	Single-Quad (split)
9	Single H/L (split)
10	Single (all)
11	Double(all)
12	Quad (all)
13	Quint (all)

#	FLASH PATTERN
14	Mega (all)
15	Ultra (all)
16	Single-Quad (all)
17	Single H/L (all)
18	Steady 2 (California)
19	Steady 4 (all)

To select flash pattern, apply +12 V (RED wire) to YELLOW wire for less than 1 second for next flash pattern. To set pattern back to default (pattern 1) hold for more than 5 seconds.

Note: This unit is not factory set at pattern 1