

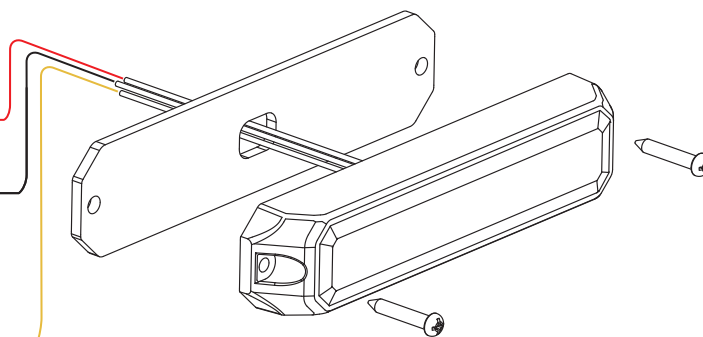
8891500 Series LED Strobe Light Installation Instructions

Surface Mount

To +VDC (fuse @ 3A).....**RED**

To Chassis Ground.....**BLACK**

For Synchronization:.....**YELLOW**



Connect **YELLOW** wires of all heads together for synchronization
(all heads must be set at the same pattern)

For Simultaneous or Alternating Flash:

1. Apply +VDC to **RED** and **YELLOW** wires simultaneously to enter Grouping mode; lighthouse will display short (single or double) flashes:
 - Single flash = Group 1 · Double flash = Group 2
2. Remove **YELLOW** wire from +VDC and momentarily apply to +VDC to change groups:
 - Heads in the same Group flash together.
 - Group 1 Heads alternate with Group 2 Heads.

For Flash Patterns:

- Momentarily apply +VDC to **YELLOW** wire:
- once for next pattern
 - quickly three times for pattern 1.

NOTE: This unit may not be factory set at FP# 1.

FP#	Flash Patterns		
1	Random	11	Double (all)
2	Single (split)	12	Quad (all)
3	Double (split)	13	Quint (all)
4	Quad (split)	14	Mega (all)
5	Quint (split)	15	Ultra (all)
6	Mega (split)	16	Single-Quad (all)
7	Ultra (split)	17	Single H/L (all)
8	Single-Quad (split)	18	Steady 2 (CA)
9	Single H/L (split)	19	Steady 4 (all)
10	Single (all)		

*SPLIT = Left alternate Right

*ALL = Simultaneous

