

# Installation Instructions

## BP200 25-Ton Pintle Hook

### Capacity

50,000 lbs. MGTW

6,000 lbs. MVL

#### **WARNING**

Maintain adequate vertical (tongue) load to properly control the trailer (generally 10%) but do not exceed the above rated capacities.

### Towing Applications

Use with trailers and equipment designed for over the road towing within the stated capacities. **Use only with non-swivel-type drawbar.** This pintle hook is ideal for use in the utility and construction industries. For off-road applications, reduce the stated capacities by 25%.

### Drawbar Eye Dimensions

2-3/8" to 3" I.D. with 1-1/4" to 1-5/8" diameter section.

#### **WARNING**

Other steps and inspections are also required. Consult DOT regulations and American Trucking Association for complete coupling and uncoupling procedures.

### Mounting

1. Use a mounting structure of sufficient strength to support the rated capacity of the pintle hook in accordance with S.A.E. J 849B.
2. Use the hole pattern shown on the reverse.
3. Remove the cotter pin, nut, washer, spring and both flanges.
4. Install flanges using 6-1/2" grade 8 bolts properly tightened.
5. Install pintle, spring, washer and nut. Tighten nut to slightly compress spring. Install cotter key in nut castellation. Spread cotter pin.



#### **WARNING**

Do not damage the latch. Be particularly careful with the drawbar when coupling and uncoupling

### Operating Instructions

1. Before operating, check for proper operation, worn, damaged or missing parts and secure mounting. Correct flaws before use.
2. Move pintle to correct coupling position as shown above. (Latch on top)
3. Open latch by removing safety pin and lifting lock.
4. Lower drawbar eye over the horn of the pintle.
5. Close latch and insert safety pin.

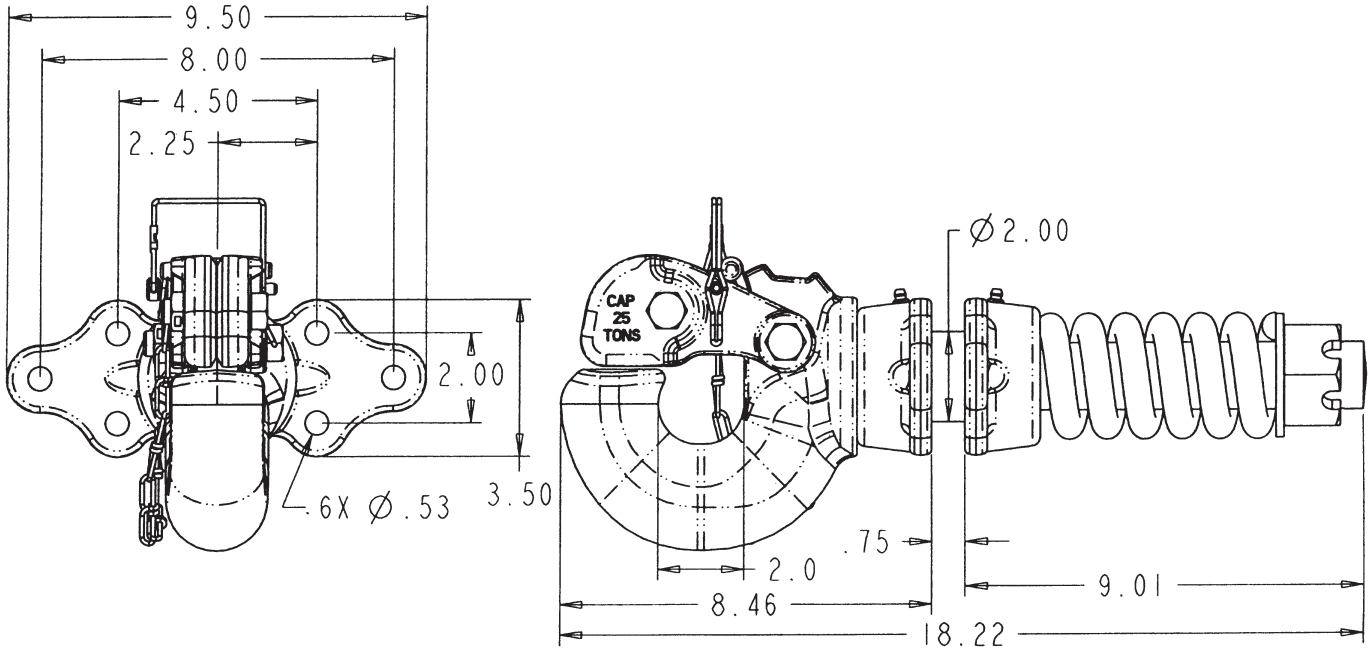
### Maintenance

*For proper performance, perform the following every 3,000 miles or 3 months, whichever comes first.*

1. Clean and inspect for proper operation.
2. Inspect, in particular, the coupling area. Replace when wear exceeds 1/8" (.125") from the original surface profile.
3. Inspect for worn, damaged or missing parts. Replace as required.
4. Regularly lubricate latch and lock pivots with a light oil lubricant.
5. Check the mounting bolts for proper torque.

#### **WARNING**

**It is the user's responsibility to be sure that the pintle hook mounting surface is capable of 6,000 lbs. vertical load and 50,000 lbs. gross trailer weight.**



All dimensions shown are nominal.

