

# CALIBER<sup>®</sup> EdgeGuard – 12pc. Kit

## Installation instructions for Part No. 13388

### Tools Required:

- Power drill
- Pencil or marker
- Chalk line \*optional\*

### Hardware Included:

- (12) EdgeGuard Pieces
- (1) 30ct. Screw Pack (CHP0111)
- (1) Torx Driver

### Step 1:

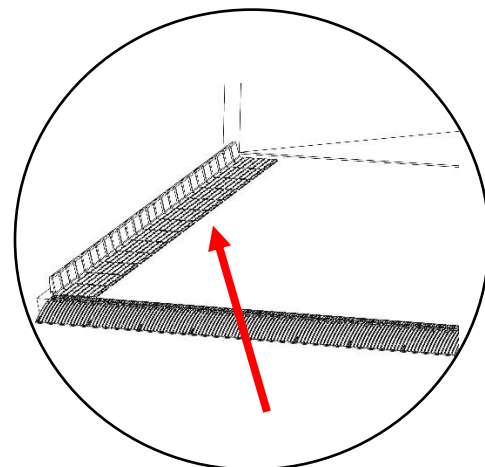
- Remove contents from the packaging and ensure that the included items listed above are contained in the box.

### Step 2:

- Using a straight edge, or a chalk line, mark your line of installation on your trailer door. Make sure this line stays within door cables, and door frames, to allow your door to freely open and close.

### Step 3:

- EdgeGuards have interlocking tabs that connect all the pieces. The components can be installed as one continuous piece (6ft.), or in clusters of 3, 4, or 6-piece sets, for doors longer than 6ft.
- Install your EdgeGuards along your pre-determined line created in Step 2.



### Step 4:

- Ensure your door opens and closes without any clearance issues after installation.

## CALIBER, INC. LIMITED LIFETIME WARRANTY

### DISCLAIMER

Caliber, Inc. shall not be liable for any special, incidental or consequential damages, including, but not limited to, lost revenues, lost profits, personal injury, damage to property, and third-party claims, arising out of any warranty, contract, statutory or tort. Notwithstanding the term of any limited warranty or any warranty implied by law, or in the event that any limited warranty fails of its essential purpose, in no event will Caliber's entire liability exceed the purchase price of this product.

**CALIBER<sup>®</sup>**