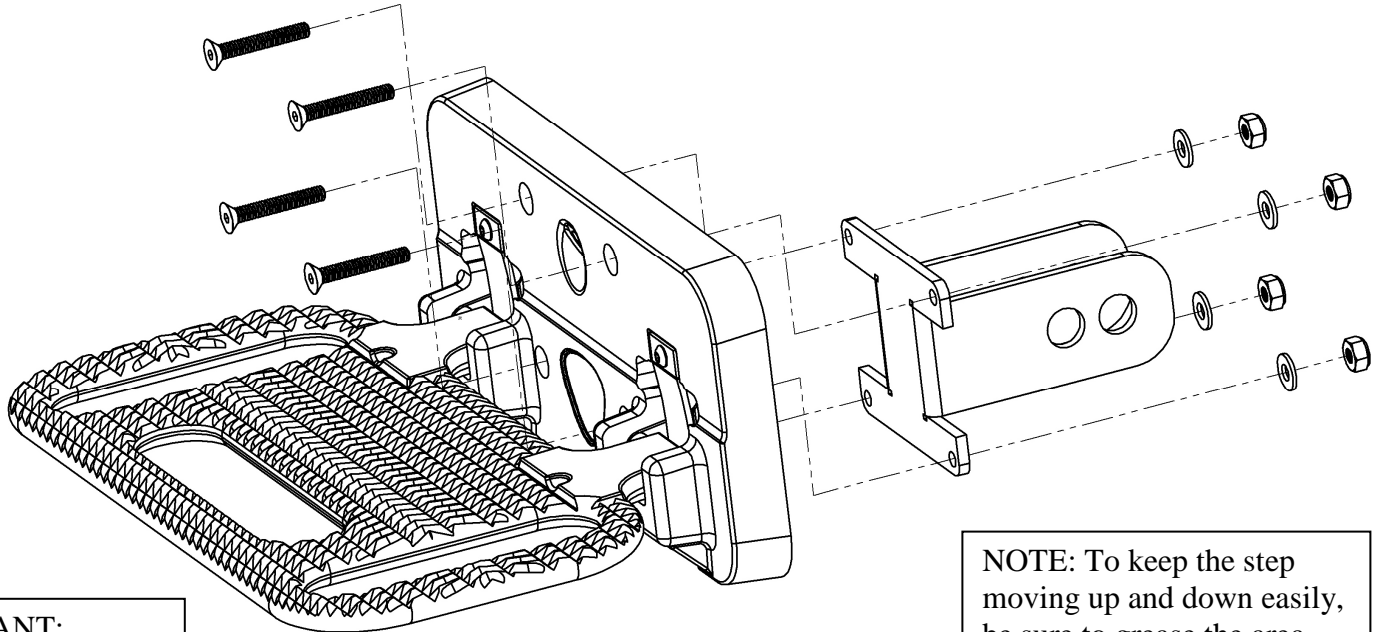


# CARR MEGA HITCH STEP INSTALLATION INSTRUCTIONS

Part No. 194011/194012/194017

## WARNINGS!

- NEVER USE THE MEGA HITCH STEP WITHOUT FIRST SECURING IT TO THE HITCH RECEIVER WITH A RETAINING PIN.
- The manufacturer and distributor of this product are in no way responsible for the consumer's failure to adhere to the warnings and directions of these instructions in the event of damage to the consumer's vehicle, other properties and or personal injury.



**IMPORTANT:**  
Securely tightened all hardware to insure a safe installation.

**NOTE:** To keep the step moving up and down easily, be sure to grease the area where the stainless steel springs comes in contact with the step casting.



**Quality and Style that Endures**

**Materials Furnished:**

HD Mega Hitch Step, instruction

**Materials Needed:**

Hitch pin with a cotter pin.

**Tools Needed:**

7/16" Wrench, 5/32" Allen wrench