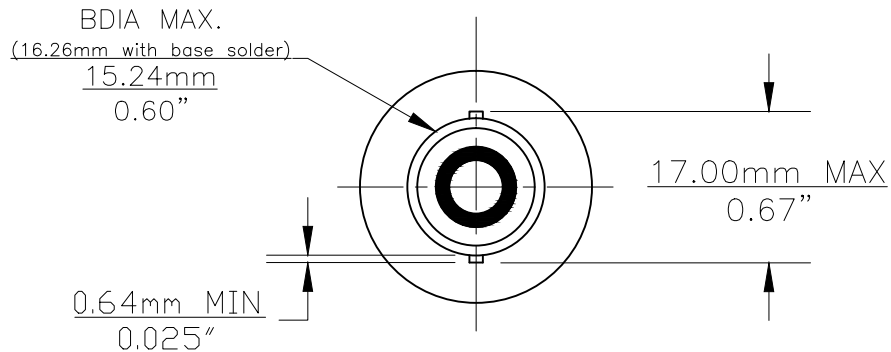
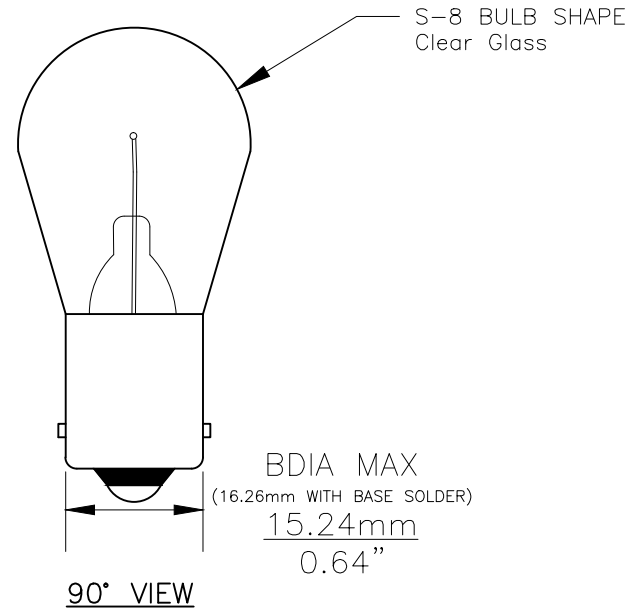
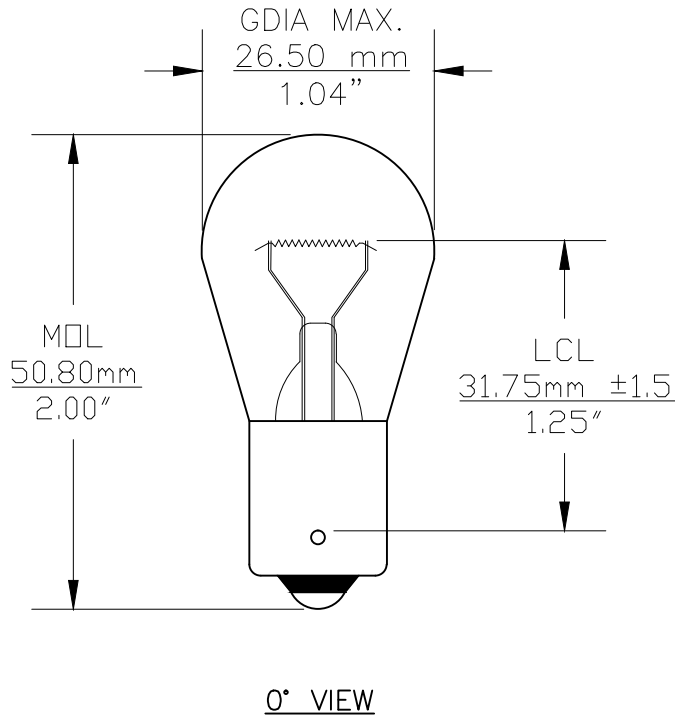




PART NO.	BASE TYPE	DESIGN VOLTS	DESIGN AMPS	MSCD	FILAMENT TYPE	AVERAGE LIFE HOURS	REVISIONS			
							REV #	DESCRIPTION	DATE	APPROVED
1141	S.C. Bayonet (BA15s)	12.8V	1.44±5%	21±10%	C-6	1000	1	UPDATE ADDRESS	12/05/2005	D.C.
							2	UPDATED RoHS COMPLIANCE	01/29/2009	S.L.



Note: Made according to SAE specifications



UNLESS OTHERWISE SPECIFIED: DIMENSIONS ARE IN INCHES TOLERANCES		CEC INDUSTRIES LTD	
DECIMALS .XX ± .05	ANGULAR ± 0.5°	599 BOND STREET	LINCOLNSHIRE, IL 60069
.XXX ± .010	FRACTIONAL ± 1/64	TITLE LIGHT BULB NO. 1141	
DATE 04/09/2001	CHECKED	SIZE A	REV 2
DESIGN	SCALE	FSCM NO.	DWG NO. 1141
MATERIAL	FILE 1141.pdf	PLOT SCALE	SHEET 1 OF 1
		DRAWING NOT TO SCALE	

Cec Industries provides the best in car bulbs equipment.