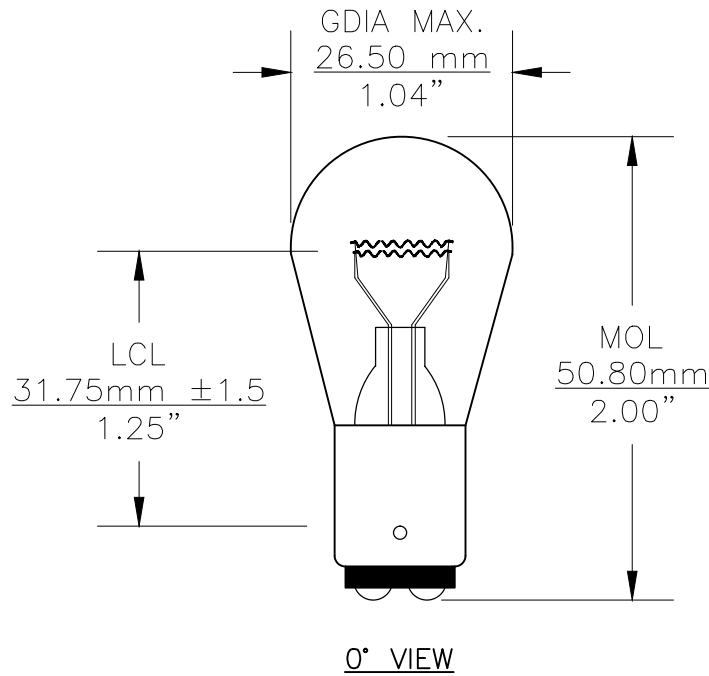
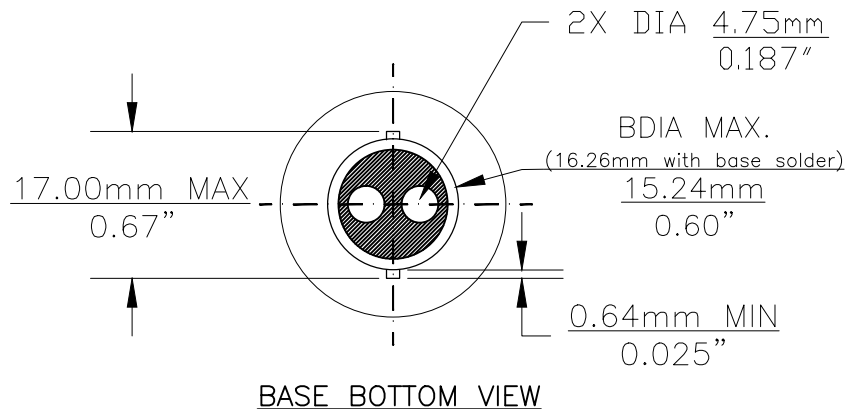
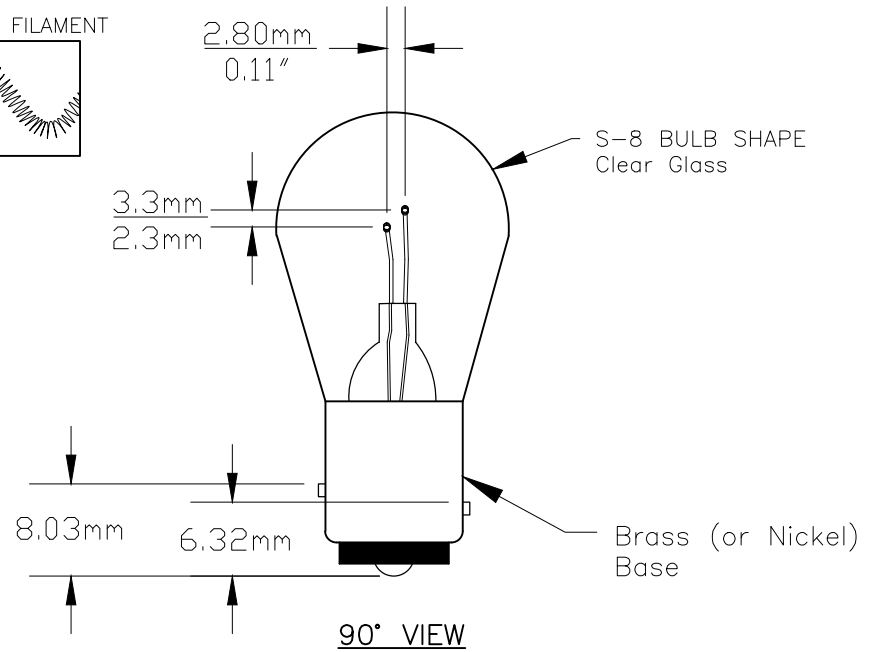
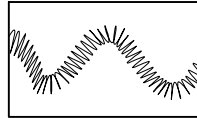




PART NO.	BASE TYPE	DESIGN VOLTS	DESIGN AMPS	MSCD	FILAMENT TYPE	AVERAGE LIFE HOURS	REVISIONS			
							REV #	DESCRIPTION	DATE	APPROVED
1662	D.C. INDEX BAY15d	28.0V 28.0V	0.9±5% 0.34±8%	32±10% 6±12%	CC-6 CC-6	400 1000	1	ISSUED	10/22/2014	R.M.



COILED COIL FILAMENT



Note: Made according to SAE specifications

UNLESS OTHERWISE SPECIFIED: DIMENSIONS ARE IN INCHES TOLERANCES		CEC INDUSTRIES LTD	
DECIMALS .XX ± .05 .XXX ± .010 FRACTIONAL ±1/64	ANGULAR ± 0.5°	599 BOND STREET	LINCOLNSHIRE, IL 60069
DATE 10/22/2014	TITLE LIGHT BULB NO. 1662		
CHECKED	SIZE A	FSCM NO.	DWG NO. 1662 REV 1
DESIGN	SCALE	PLOT SCALE	SHEET 1 OF 1
MATERIAL	FILE 1662.pdf	DRAWING NOT TO SCALE	

Cec Industries provides the best in car bulbs equipment.