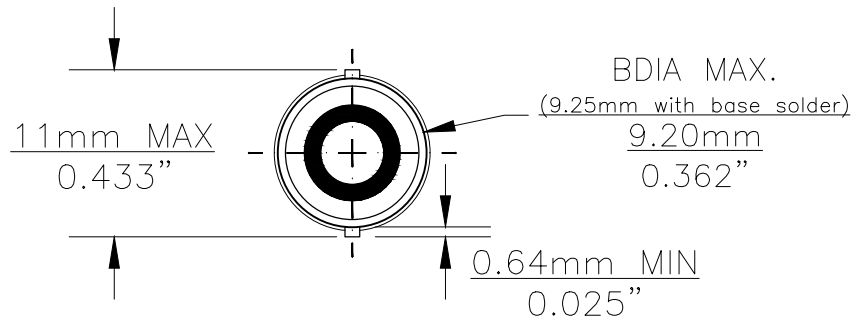
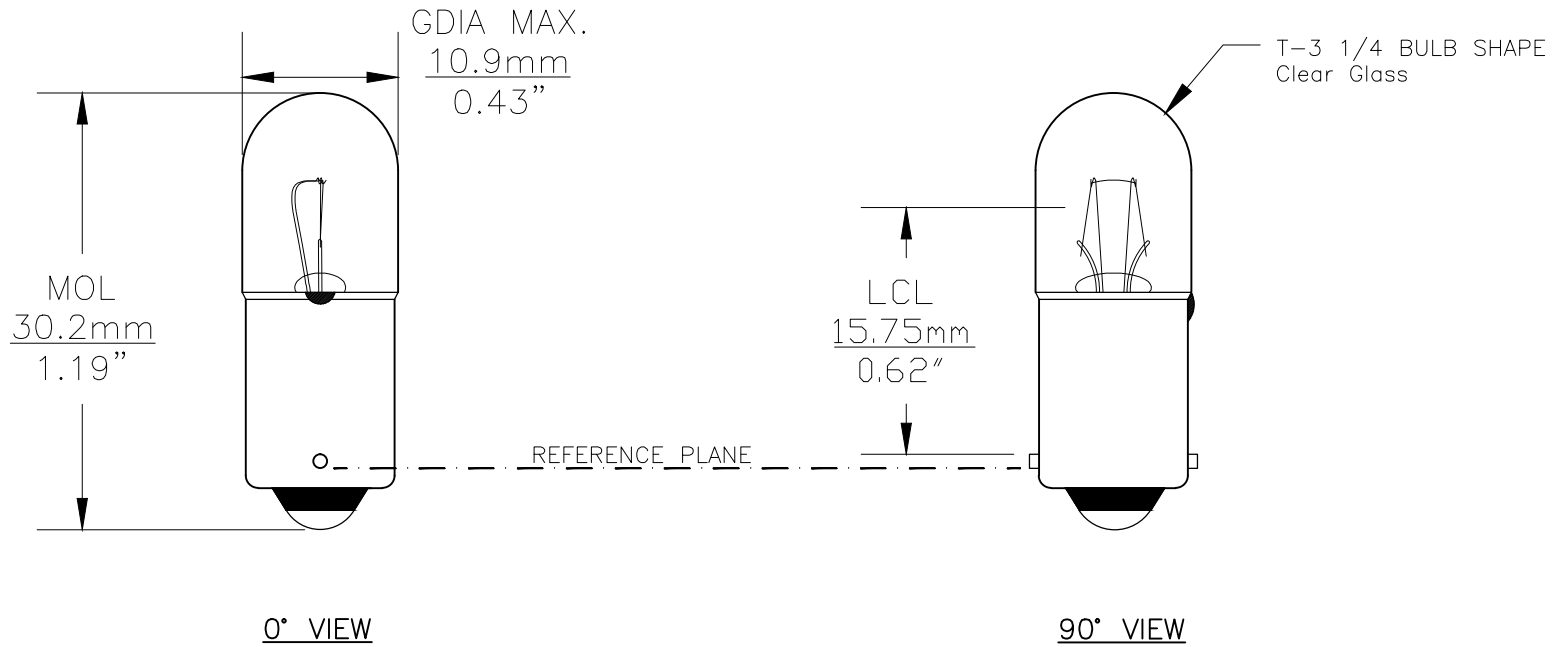




PART NO.	BASE TYPE	DESIGN VOLTS	DESIGN AMPS	MSCD	FILAMENT TYPE	AVERAGE LIFE HOURS	REVISIONS			
							REV #	DESCRIPTION	DATE	APPROVED
1893	MINIATURE BAYONET (BA9s)	14.0V	0.33±20%	2.0±20%	C-2F	7500	1	VERIFIED LAMP DIMENSIONS	10/04/2002	A.S.
							2	ADDRESS CHANGE	12/05/2005	D.C.



Note: Made according to SAE specifications

UNLESS OTHERWISE SPECIFIED: DIMENSIONS ARE IN INCHES TOLERANCES		CEC INDUSTRIES LTD	
DECIMALS .XX ± .05	ANGULAR .XXX ± .010	599 BOND STREET	LINCOLNSHIRE, IL 60069
FRACTIONAL = 1/64		TITLE LIGHT BULB NO. 1893	
DATE 12/12/2001	CHECKED	SIZE A	REV 1
DESIGN	SCALE	FSCM NO. 1893	DWG NO. 1893
MATERIAL	FILE 1893.pdf	PLOT SCALE	SHEET 1 OF 1
		DRAWING NOT TO SCALE	

Cec Industries provides the best in car bulbs equipment.