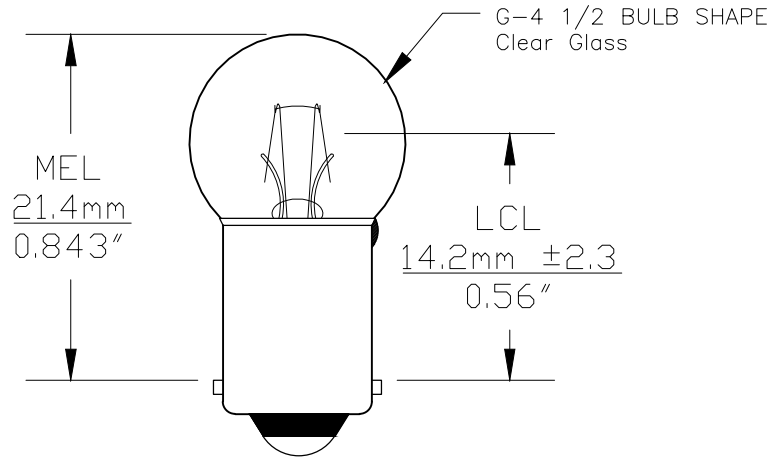




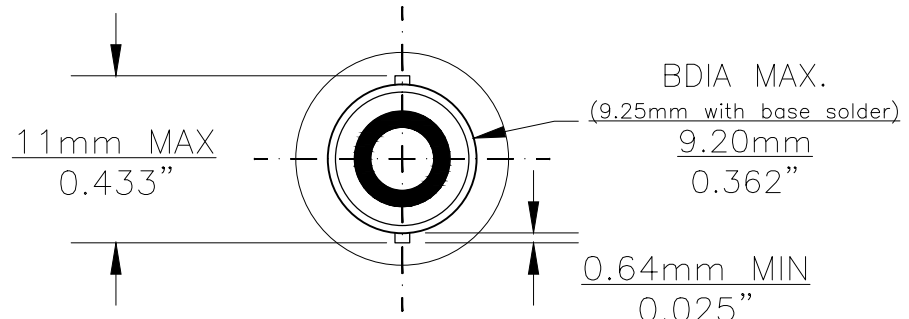
PART NO.	BASE TYPE	DESIGN VOLTS	DESIGN AMPS	MSCD	FILAMENT TYPE	AVERAGE LIFE HOURS	REVISIONS			
							REV #	DESCRIPTION	DATE	APPROVED
1895	MINIATURE BAYONET (BA9s)	14.0V	0.27±20%	2.0±20%	C-2F	2000	1	REDRAWN	07/12/2006	D.C.



0° VIEW



90° VIEW



BASE BOTTOM VIEW



Note: Made according to SAE specifications

UNLESS OTHERWISE SPECIFIED: DIMENSIONS ARE IN INCHES TOLERANCES		CEC INDUSTRIES LTD			
DECIMALS .XX ± .05	ANGULAR ± 0.5°	599 BOND STREET		LINCOLNSHIRE, IL 60069	
FRACTIONAL _ ± .010	+1/64	TITLE LIGHT BULB NO. 1895			
DATE 02/01/2001	CHECKED	SIZE A	FSCM NO.	DWG NO. 1895	REV 1
DESIGN	SCALE	PLOT SCALE		SHEET 1 OF 1	
MATERIAL	FILE 1895.pdf	DRAWING NOT TO SCALE			

Cec Industries provides the best in car bulbs equipment.