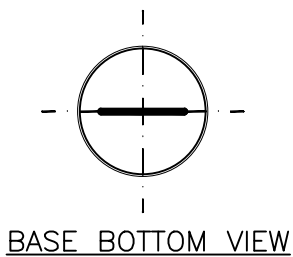
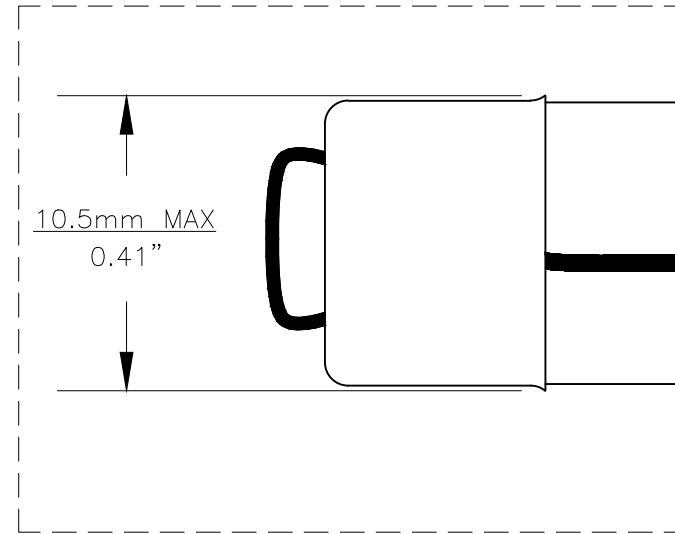
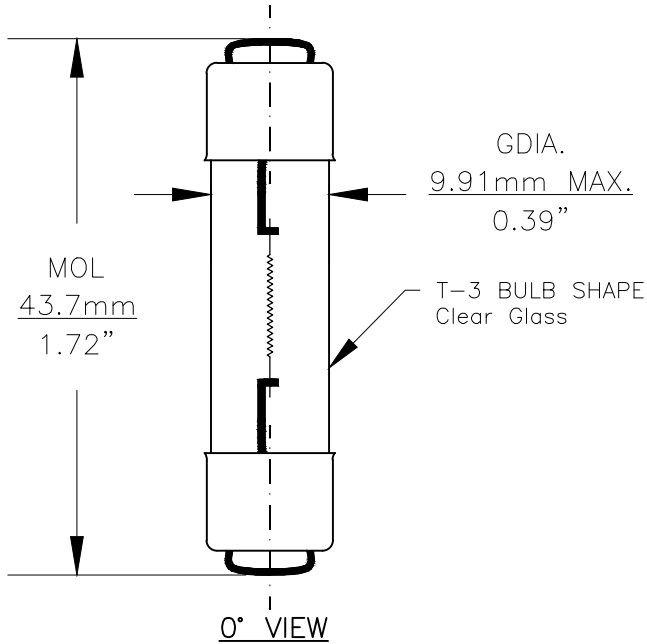




PART NO.	BASE TYPE	DESIGN VOLTS	DESIGN AMPS	MSCD	FILAMENT TYPE	AVERAGE LIFE HOURS	REVISIONS			
							REV #	DESCRIPTION	DATE	APPROVED
211-2	MINIATURE END CAPS	12.8V	0.97±10%	12 ±20%	C-8	1000	1	ISSUED	03/01/2001	E.S.
							2	UPDATED ADDRESS, ADDITIONAL SPECS.	06/10/2013	D.C.
							3	ADDED BASE VIEWS	04/05/2016	R.M.



Note: Made according to SAE specifications

UNLESS OTHERWISE SPECIFIED: DIMENSIONS ARE IN INCHES TOLERANCES		CEC INDUSTRIES LTD			
DECIMALS	ANGULAR	599 BOND STREET		LINCOLNSHIRE, IL 60069	
.XX ± .05	± 0.5°	TITLE LIGHT BULB NO. 211-2			
.XXX ± .010		DATE 03/01/2001	SIZE A	FSCM NO. 211-2	REV 3
FRACTIONAL ±1/64		DESIGN	SCALE	PLOT SCALE	SHEET 1 OF 1
		MATERIAL	FILE 211-2.pdf	DRAWING NOT TO SCALE	

Cec Industries provides the best in car bulbs equipment.