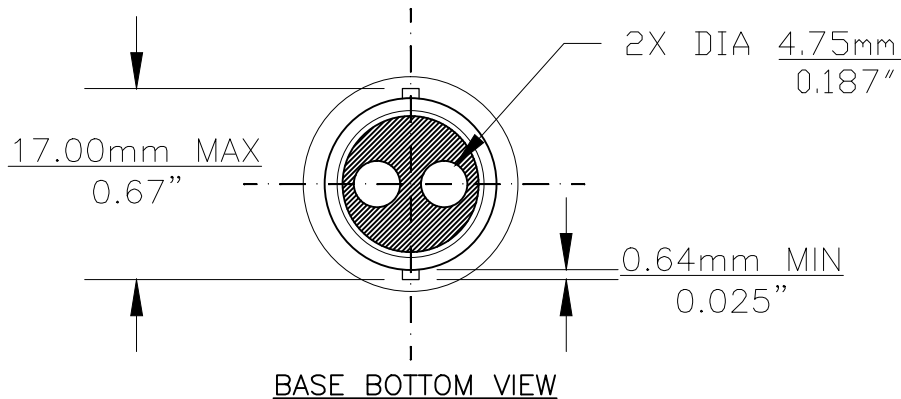
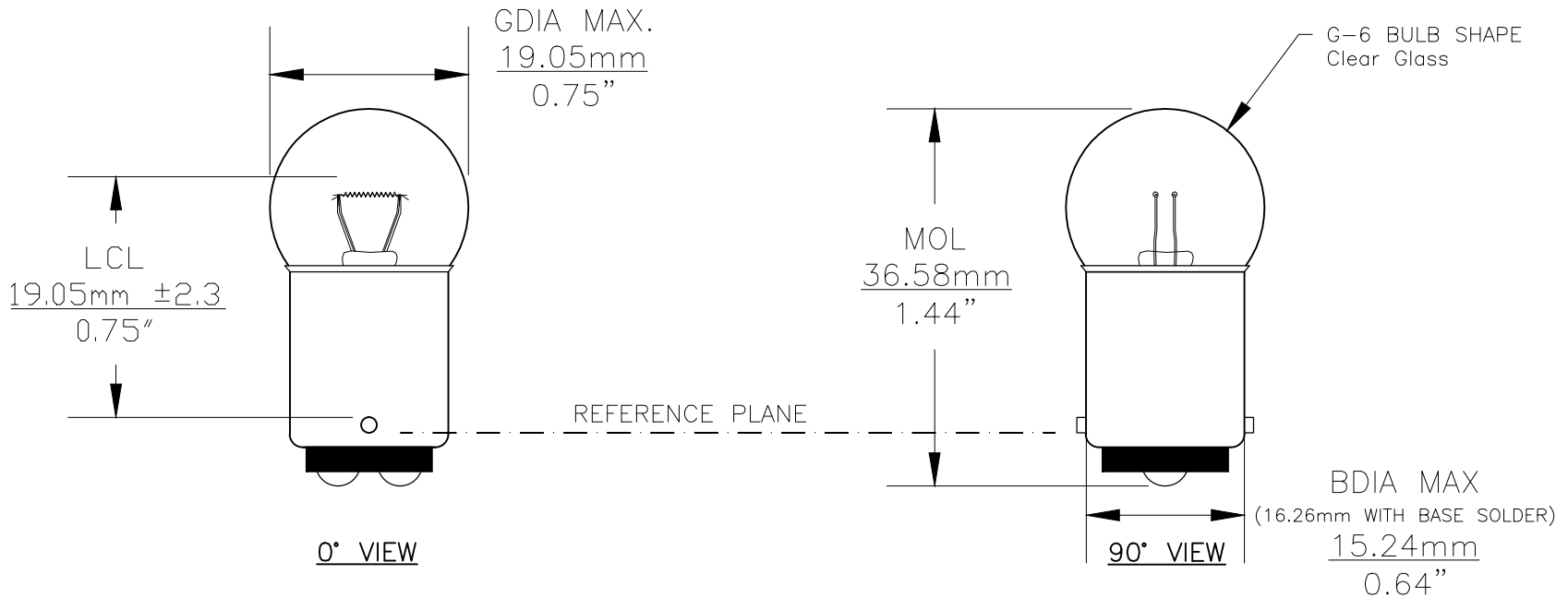




PART NO.	BASE TYPE	DESIGN VOLTS	DESIGN AMPS	MSCD	FILAMENT TYPE	AVERAGE LIFE HOURS	REVISIONS			
							REV #	DESCRIPTION	DATE	APPROVED
624	D.C. BAYONET (BA15d)	28.0V	0.37±20%	6 ±20%	2C-6	1,000	1	REDRAWN	06/16/2005	D.C.
							2	REDRAWN FOR ADDITIONAL VIEW	11/13/2014	R.M.



Note: Made according to SAE specifications

UNLESS OTHERWISE SPECIFIED: DIMENSIONS ARE IN INCHES TOLERANCES		CEC INDUSTRIES LTD	
DECIMALS .XX ± .05	ANGULAR ± 0.5°	599 BOND STREET	LINCOLNSHIRE, IL 60069
FRACTIONAL .XXX ± .010	+1/64	TITLE LIGHT BULB NO. 624	
DATE 02/01/2001	CHECKED	SIZE A	FSCM NO. 624
DESIGN	SCALE	PLOT SCALE	REV 1
MATERIAL	FILE 624.pdf	SHEET 1 OF 1	DRAWING NOT TO SCALE

Cec Industries provides the best in car bulbs equipment.