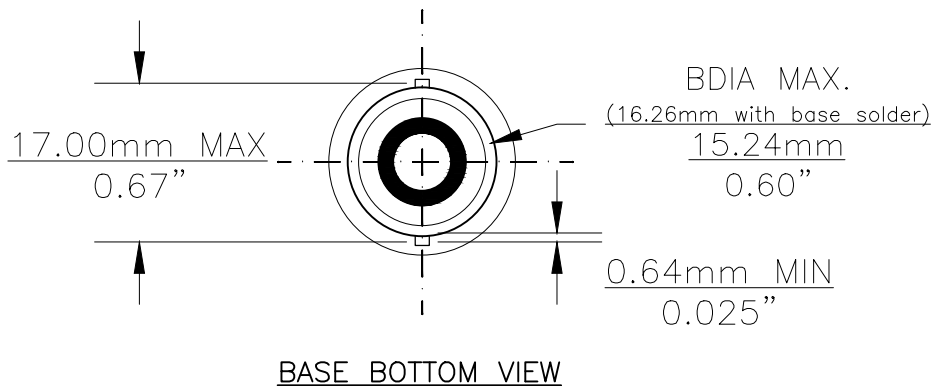
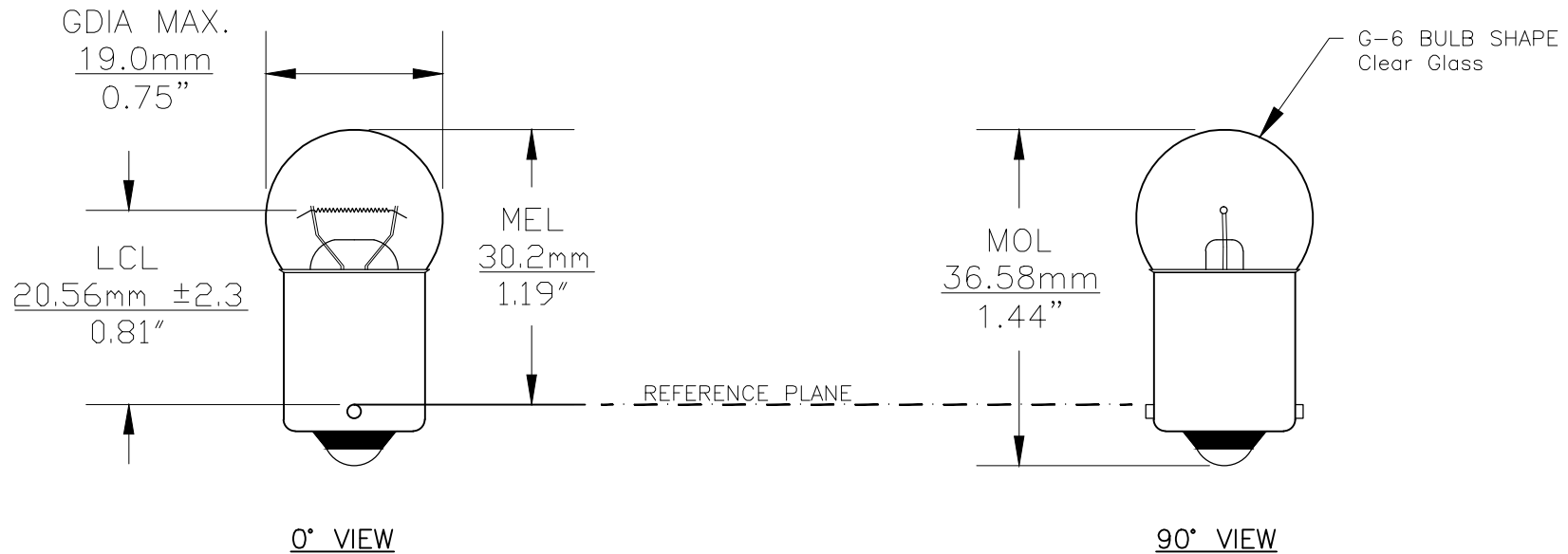




| PART NO. | BASE TYPE | DESIGN VOLTS | DESIGN AMPS | MSCD | FILAMENT TYPE | AVERAGE LIFE HOURS | REVISIONS | | | |
|----------|----------------------|--------------|-------------|--------|---------------|--------------------|-----------|-----------------------------------|------------|----------|
| | | | | | | | REV # | DESCRIPTION | DATE | APPROVED |
| 97 | S.C. BAYONET (BA15s) | 13.5V | 0.69 ±8% | 4 ±15% | C-6 | 5000 | 1 | ISSUED | 02/01/2001 | E.S. |
| | | | | | | | 2 | TOLERANCE, AMP, MSCD, LCL | 09/21/2009 | D.C. |
| | | | | | | | 3 | UPDATED FILAMENT FROM C-2V TO C-6 | 06/03/15 | R.M. |



Note: Made according to SAE specifications

| | | | |
|---|----------------|-------------------------|------------------------|
| UNLESS OTHERWISE SPECIFIED: DIMENSIONS ARE IN INCHES TOLERANCES | | CEC INDUSTRIES LTD | |
| DECIMALS .XX ± .05 | ANGULAR ± 0.5° | 599 BOND STREET | LINCOLNSHIRE, IL 60069 |
| FRACTIONAL .XXX ± .010 | ±1/64 | TITLE LIGHT BULB NO. 97 | |
| DATE 02/01/2001 | CHECKED | SIZE A | FSCM NO. 97 |
| DESIGN | SCALE | PLOT SCALE | REV 3 |
| MATERIAL | FILE 97.pdf | SHEET 1 OF 1 | DRAWING NOT TO SCALE |

Cec Industries provides the best in car bulbs equipment.