

OTHER PRECISION TOOLS FROM  **Central**

“Your Automotive Measuring People”

**Micrometers**

**Rod & Tubular Types**

**Inside**

**Outside**

**Depth**

**Sets**

**Dial Indicators & Test Sets**

**Magnetic Bases**

**Machinists Tools**

**Dial Calipers**

**Electronic Digital Calipers**

**Torque Wrenches**

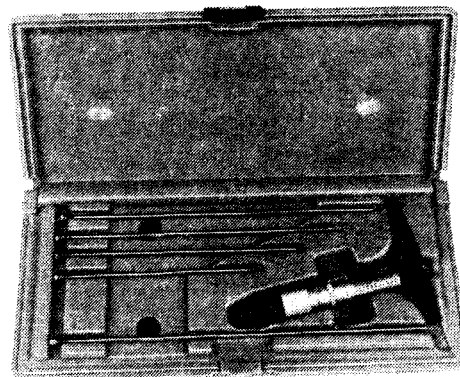
**Cylinder Bore Gages**

*Write for Catalog*

 **Central** Tools, Inc.

 **Central**<sup>®</sup>

**DEPTH MICROMETER**



**No. 6241**

2 1/2" Base

No. 6240	0-3" Range
No. 6241	0-6" Range
No. 6245	0-75mm Range
No. 6246	0-150mm Range

4" Base

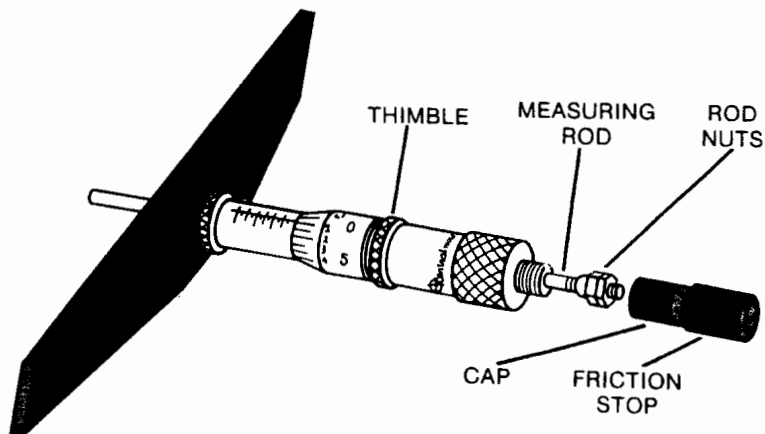
No. 6250	0-3" Range
No. 6251	0-6" Range
No. 6255	0-75mm Range
No. 6256	0-150mm Range

5" Base

No. 6253	0-8" Range
----------	------------

 **Central** Tools, Inc.

Cranston, Rhode Island 02910



### Replacement Rod Part Numbers

#### English

4258	0-1"	4262	4-5"
4259	1-2"	4263	5-6"
4260	2-3"	4866	6-7"
4261	3-4"	4867	7-8"

#### Metric

4471	0-25mm	4472	25-50mm
4473	50-75mm	4474	75-100mm
4475	100-125mm	4476	125-150mm

## USING A DEPTH MICROMETER

The depth micrometer works on the same principle as the outside micrometer. To measure a depth, choose the appropriate length rod and load it into the micrometer. This is accomplished by unscrewing the friction cap, removing the existing rod and loading in the desired rod.

To read the depth measured, rotate the thimble while holding the base down firmly until the rod gently bottoms out in the hole. The measurement read off the micrometer is then added to the particular rod size in the micrometer. Keep in mind that one full revolution of the thimble is .025" on an English micrometer and .50mm on a metric. The barrel is broken down into .025" graduations (.5mm on a metric).

If a rod is out of calibration due to wear, please return the entire micrometer set to factory for re-calibration.