

PRODUCT FEATURES:

- Retains factory features in select Chrysler, Dodge and Jeep vehicles while functioning with an aftermarket radio.
- Supports amplified and non-amplified systems.
- Provides reverse trigger for rear view camera.
- EIA color coded wiring for easy installation

NOTES:

1. The Front and Rear fading are NON-Adjustable on amplified systems.
2. Also supports radio replacement in vehicles with 4.3" and 8.4" color screens.

PARTS INCLUDED:



SOOCR-26 MODULE



1st Generation Harness



2nd Generation Harness

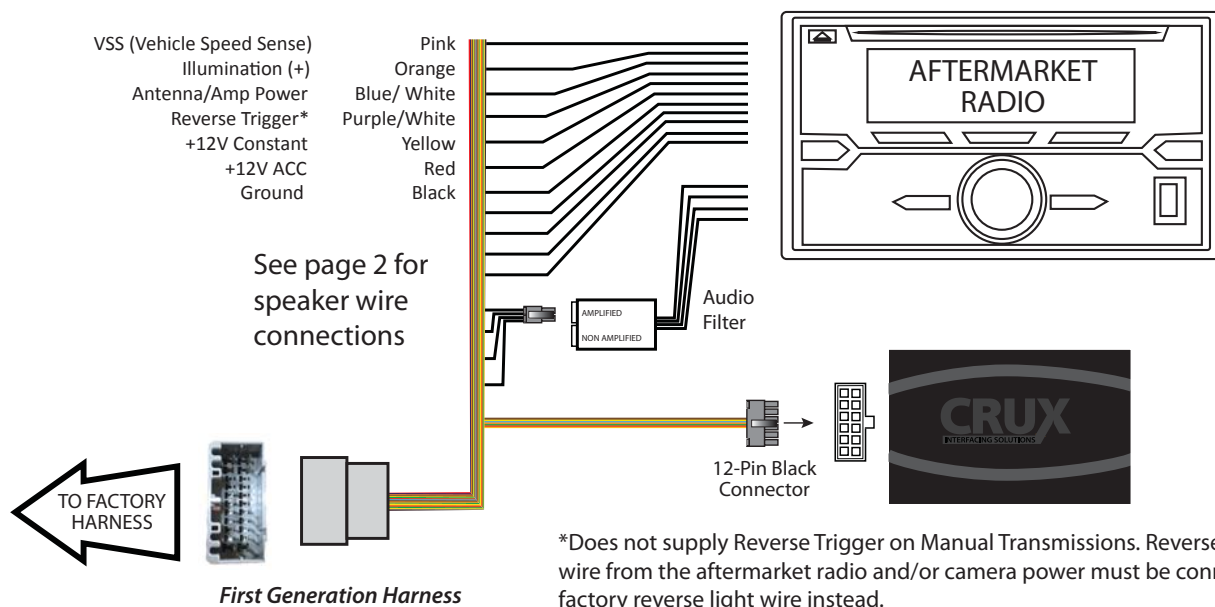


Audio Filter

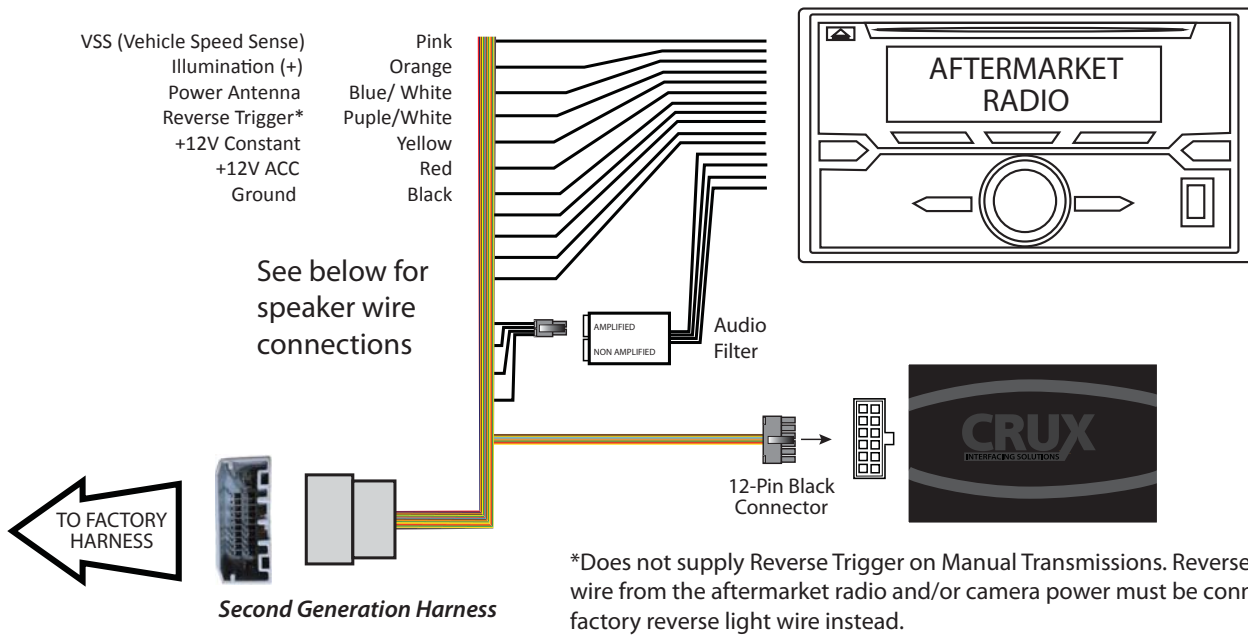
INSTALLATION DIAGRAM:

The SOOCR-26 includes 2 harnesses for older and new model vehicles. See installation diagrams below for each harness.

1st Generation Harness



2nd Generation Harness



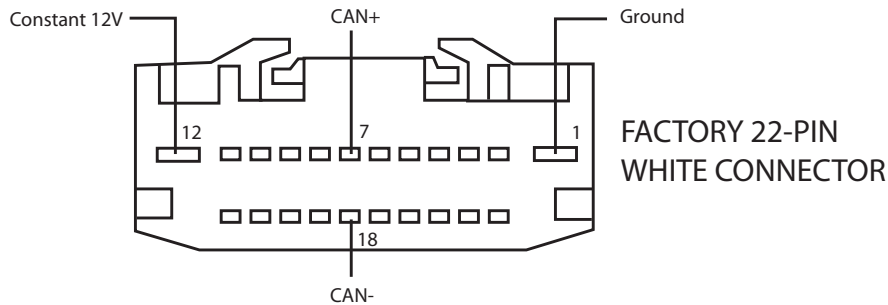
Speaker wire connections:

Wire the audio filter using the connection chart below. Plug the 4 pin Molex plug found on the 1st or 2nd generation harness to the corresponding 4 pin Molex socket on the audio filter. (Amplified or Non-Amplified)

NON AMPLIFIED SYSTEMS		AMPLIFIED SYSTEMS	
Plug the 4-pin Molex connector to the NON-AMPLIFIED side of the inline filter.		Plug the 4-pin Molex connector to the AMPLIFIED side of the inline filter.	
Wire Connections:		Wire Connections:	
Aftermarket Radio	SOOCR-26 Harness	Aftermarket Radio	SOOCR-26 Harness
White	White	White	Green
White/Black	White/Black	White/Black	Green/Black
Gray	Gray	Gray	Purple
Gray/Black	Gray/Black	Gray/Black	Purple/Black
Green	Green	Green	Not Used
Green/Black	Green/Black	Green/Black	Not Used
Purple	Purple	Purple	Not Used
Purple/Black	Purple/Black	Purple/Black	Not Used

FOR 4.3" AND 8.4" SCREEN REPLACEMENT:

When replacing the radio with a 4.3" OR 8.4" screen, you will need to tap the CAN signals along with Power, Ground, and Speakers from the factory White 22-Pin connector. Tap the wires as shown below. Again, these connections are made on the factory White 22-pin connector.



PIN	SIGNAL
8	= Right Rear -
9	= Right Rear +
10	= Right Front -
11	= Right Front +
19	= Left Rear -
20	= Left Rear +
21	= Left Front -
22	= Left Front +

VEHICLE APPLICATIONS:

CHRYSLER		DODGE		JEEP	
2011-2014	200	2007-2014	Avenger	2006-2010	Commander
2005-2010	300	2006-2012	Caliber	2007-2016	Compass
2007-2009	Aspen	2008-2014	Challenger	2005-2013	Grand Cherokee
2006-2010	PT Cruiser	2006-2010	Charger	2008-2012	Liberty
2007-2010	Sebring	2013	Charger	2007-2017	Patriot
2008-2016	Town & Country	2006-2011	Dakota	2007-2017	Wrangler
		2004-2013	Durango	2018	Wrangle (JK only)
		2009-2016	Grand Caravan		
		2009-2010	Journey	MITSUBISHI	
		2013	Journey	2006-2009	Raider
		2005-2008	Magnum		
		2007-2011	Nitro	VOLKSWAGEN	
		2006-2012	RAM	2009-2013	Routan