

YEARS: 2015-PRESENT

MAKE: JEEP

MODEL: RENEGADE

STYLE: SUV

WARNING: NEVER EXCEED YOUR VEHICLE MANUFACTURER'S RECOMMENDED TOWING CAPACITY

WEIGHT CARRYING:
 TRAILER WEIGHT: 3500 LBS.
 TONGUE WEIGHT: 350 LBS.

PRO INSTALL TIME: 30 MIN.
NOVICE INSTALL TIME: 60 MIN.

IF YOU ARE HESITANT TO UNDERTAKE THIS TASK ON YOUR OWN, CONTACT AN AUTHORIZED CURT INSTALLER FOR ADDITIONAL ASSISTANCE.

INSTALLATION REQUIRES:

| | | |
|------------------------|-----------------------|-------------------------------|
| RATCHET | 3/4" SOCKET | 8" SOCKET EXTENSION |
| DIE GRINDER | TORQUE WRENCH | UTILITY KNIFE |
| UNIVERSAL JOINT SOCKET | OFFSET SCREWDRIVER | |
| | | |

INSTALLATION TIPS:

- BEFORE YOU BEGIN INSTALLATION, READ ALL INSTRUCTIONS THOROUGHLY.
- TO EASE INSTALLATION, 2 PEOPLE MAY BE REQUIRED.
- USING PROPER TOOLS WILL GREATLY IMPROVE THE QUALITY OF THE INSTALL AND REDUCE THE TIME REQUIRED.

LEVEL OF DIFFICULTY: MODERATE

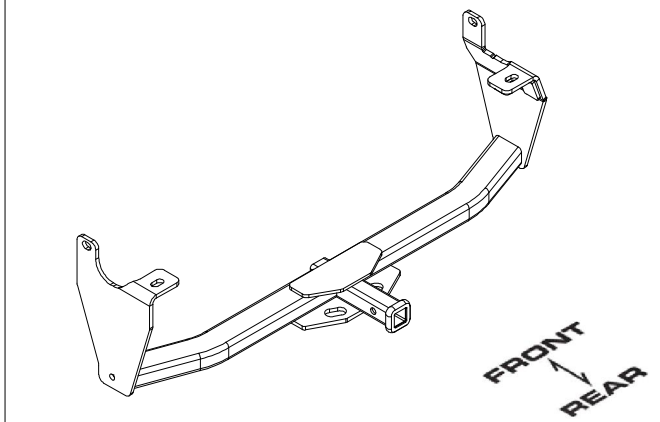
| EASY | MODERATE | CHALLENGING |
|------|-------------------------------|-------------|
| | (2) HOLE ENLARGEMENT REQUIRED | |
| | FISHWIRE (4) FASTENERS | |
| | NO DRILL | |
| | REMOVE (4) RUBBER PLUGS | |
| | | |

VEHICLE PHOTO:



REPRESENTATIVE PHOTO

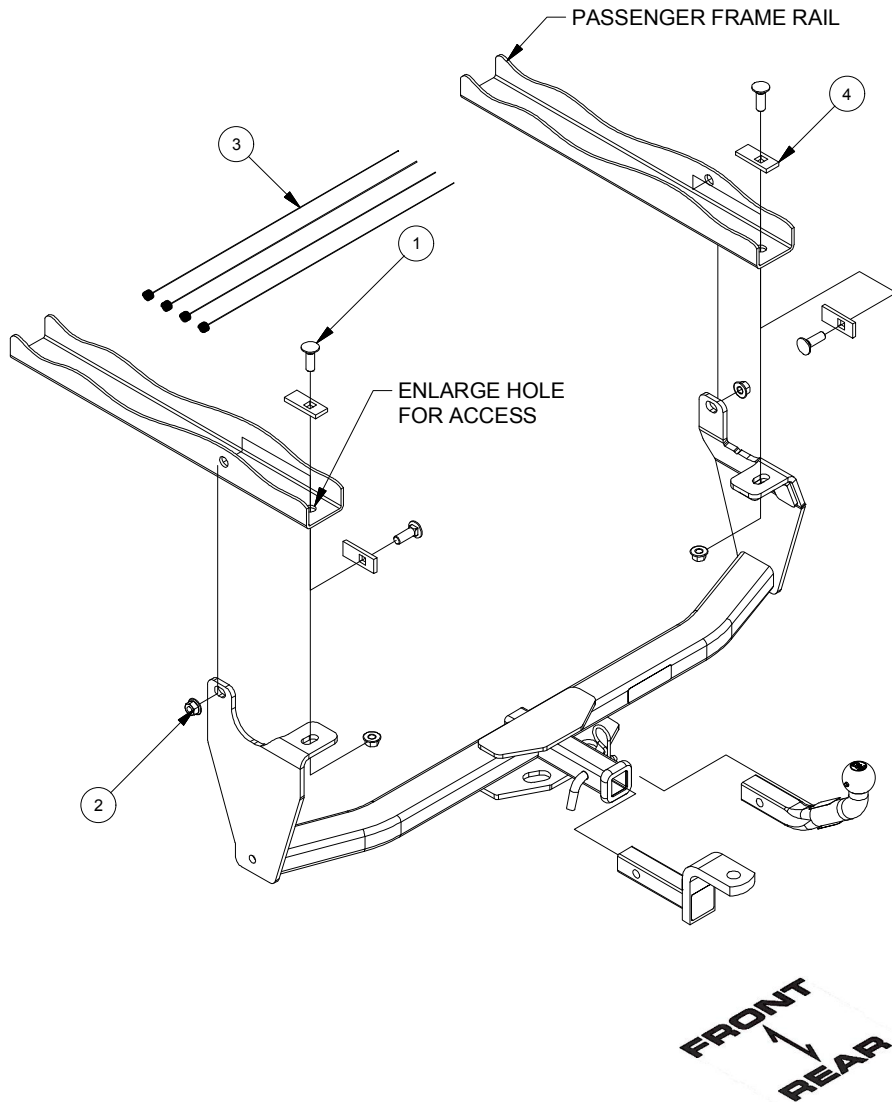
HITCH ILLUSTRATION:



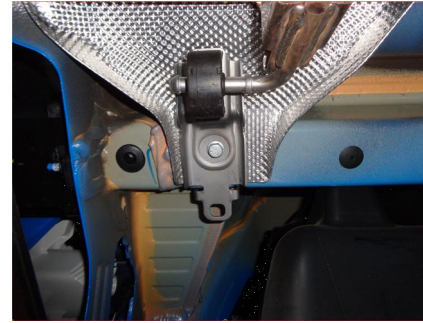
MAKE SURE YOUR HITCH MATCHES

INSTALLATION WALKTHROUGH:

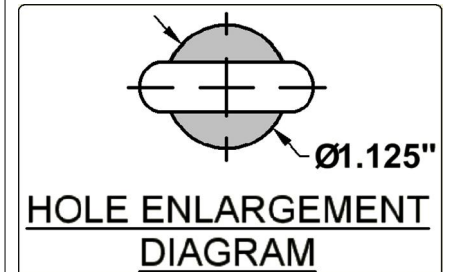
| Parts List | | | |
|------------|-----|----------------|--|
| ITEM | QTY | PART NUMBER | DESCRIPTION |
| 1 | 4 | 1/2-13 x 1 1/2 | CARRIAGE BOLT |
| 2 | 4 | HFN 1213 | HEX FLANGE NUT |
| 3 | 4 | 1_2 FISHWIRE | 1/2" FISHWIRE |
| 4 | 4 | CM-SP10 | .250 x 1.00 x 2.50" SQUARE HOLE SPACER |



1. Remove the rearmost rubber plugs on the bottom of each frame rail. Remove the forward most rubber plugs on the outside of each frame rail.

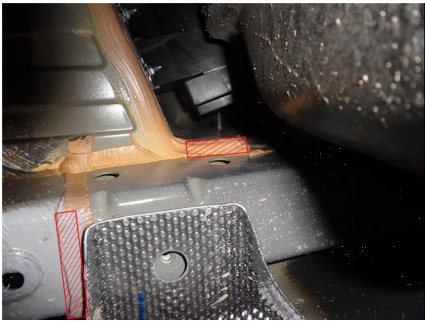


2. Enlarge the rearmost hole with the die grinder on each frame rail to allow the carriage bolts and spacers to be inserted into the frame rail.



INSTALLATION WALKTHROUGH:

3. Clear away caulk as necessary near mounting holes on both sides using a knife.

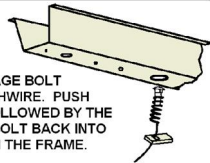


4. Fishwire (1) 1/2" carriage bolts and (1) CM-SP10 into the forwardmost holes on the outside of each frame rail. Reverse Fishwire (1) 1/2" carriage bolts and (1) CM-SP10 into the rearmost hole on the bottom of each frame rail leaving the fasteners in the fram until hitch is in position. Keep wires attached until hitch is raised into position.

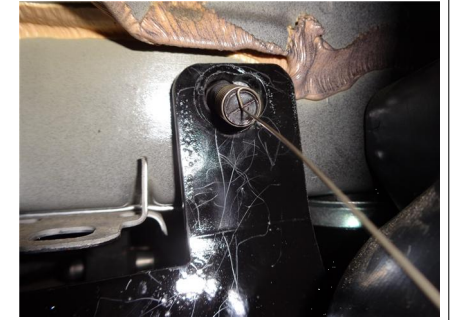


REVERSE PULL FISHWIRE TECHNIQUE

ATTACH FISHWIRE TO CARRIAGE BOLT AND SLIDE SPACER ONTO FISHWIRE. PUSH THE BOLT THRU THE HOLE FOLLOWED BY THE SPACER (AS SHOWN). PULL BOLT BACK INTO POSITION, PROTRUDING FROM THE FRAME.



5. Raise hitch into position, threading the fishwires into the mounting holes. Remove fishwire and loosely install 1/2" Hex Flange Nuts.



6. Torque all 1/2" hardware to 110 ft.-lbs.



12142

JEEP RENEGADE

GROSS LOAD CAPACITY WHEN USED AS A WEIGHT CARRYING HITCH: 3500 LBS. TRAILER WEIGHT & 350 LBS. TONGUE WEIGHT.

WARNING: ALL NON-TRAILER LOADS APPLIED TO THIS PRODUCT MUST BE SUPPORTED BY 18050 STABILIZING STRAPS.



WARNING: ** FAILURE TO PROPERLY SUPPORT NON-TRAILER LOADS WILL VOID PRODUCT WARRANTY **

WARNING: * DO NOT EXCEED VEHICLE MANUFACTURER'S RECOMMENDED TOWING CAPACITY *****



| Parts List | | | |
|------------|-----|----------------|--|
| ITEM | QTY | PART NUMBER | DESCRIPTION |
| 1 | 4 | 1/2-13 x 1 1/2 | CARRIAGE BOLT |
| 2 | 4 | HFN 1213 | HEX FLANGE NUT |
| 3 | 4 | 1_2 FISHWIRE | 1/2" FISHWIRE |
| 4 | 4 | CM-SP10 | .250 x 1.00 x 2.50" SQUARE HOLE SPACER |

REVERSE PULL FISHWIRE TECHNIQUE

ATTACH FISHWIRE TO CARRIAGE BOLT AND SLIDE SPACER ONTO FISHWIRE. PUSH THE BOLT THRU THE HOLE FOLLOWED BY THE SPACER (AS SHOWN). PULL BOLT BACK INTO POSITION, PROTRUDING FROM THE FRAME.

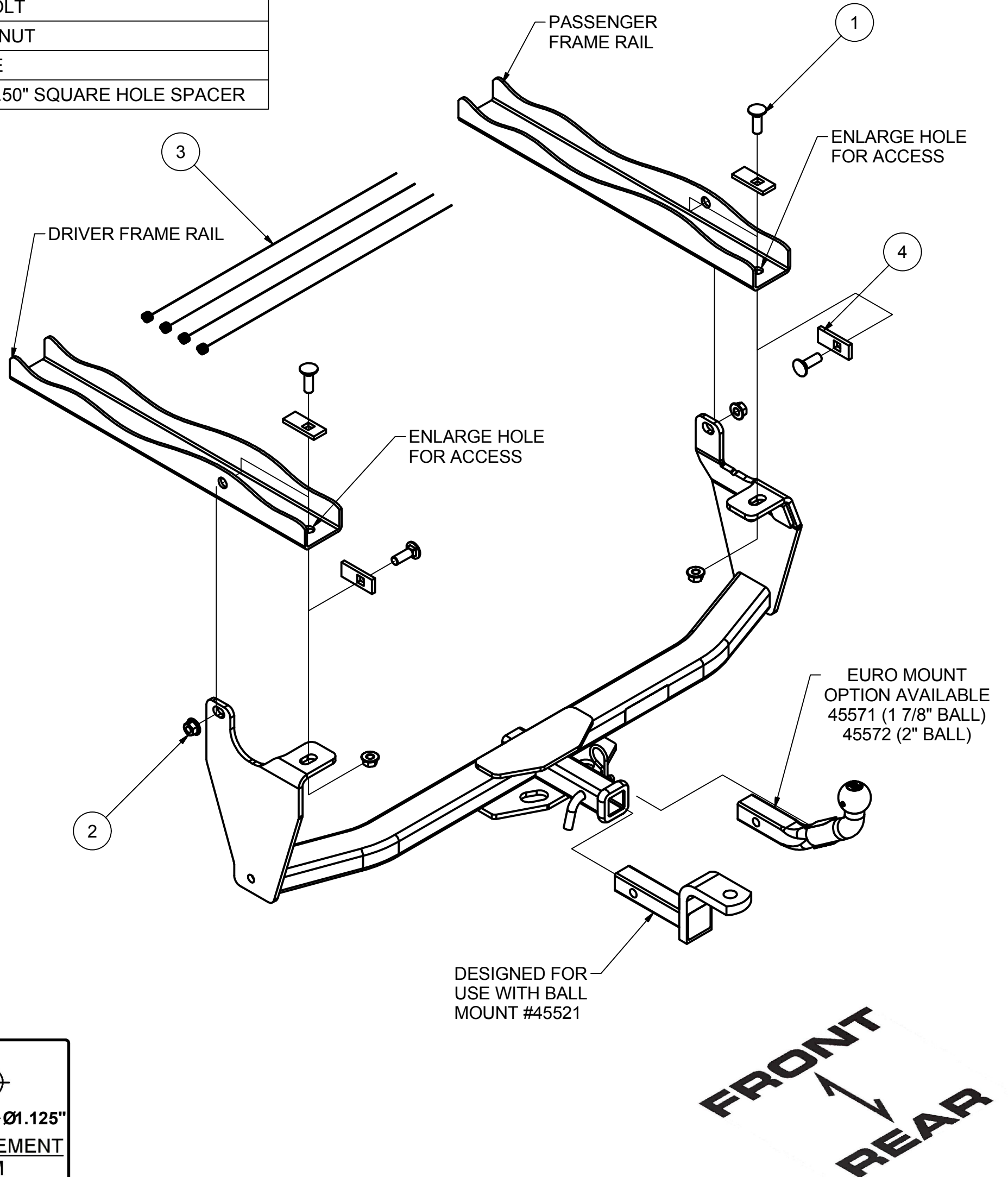
FISHWIRE TECHNIQUE

INSERT COILED END OF FISHWIRE TOOL THROUGH HITCH MOUNTING HOLE IN VEHICLE FRAME RAIL AND OUT THE ACCESS HOLE. PASS COILED END OF FISHWIRE THROUGH SPACER AND THREAD BOLT INTO COIL. KINK WIRE TO KEEP SPACER SEPERATE FROM BOLT AS SHOWN. PULL FISHWIRE, SPACER, AND BOLT THROUGH FRAME AND OUT MOUNTING HOLE. USE FISHWIRE TO GUIDE HITCH DURING MOUNTING AND PREVENT LOSS OF BOLT / SPACER INSIDE FRAME RAIL.

NOTE: SOME VEHICLES MAY FISHWIRE THROUGH END OF FRAME

TOOLS REQUIRED

| |
|------------------------|
| RATCHET |
| 3/4" SOCKET |
| 8" SOCKET EXTENSION |
| DIE GRINDER |
| TORQUE WRENCH |
| UTILITY KNIFE |
| UNIVERSAL JOINT SOCKET |
| OFFSET SCREWDRIVER |



HITCH WEIGHT: 35 LBS.

INSTALL TIME

PROFESSIONAL: 30 MINUTES

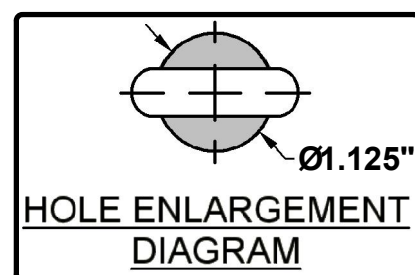
NOVICE (DIY): 60 MINUTES

INSTALL NOTES:

Hole Enlargement

No Drill

Part Removal



INSTALLATION STEPS

1. Remove the rearmost rubber plugs on the bottom of each frame rail. Remove the forward most rubber plugs on the outside of each frame rail.
2. Enlarge the rearmost hole with the die grinder on each frame rail to allow the carriage bolts and spacers to be inserted into the frame rail.
3. Clear away caulk as necessary near mounting holes on both sides using a knife.
4. Fishwire (1) 1/2" carriage bolts and (1) CM-SP10 into the forwardmost holes on the outside of each frame rail, leaving the fasteners in the frame until hitch is in position. Reverse Fishwire (1) 1/2" carriage bolts and (1) CM-SP10 into the rearmost hole on the bottom of each frame rail. Keep wires attached until hitch is raised into position.
5. Raise hitch into position, threading the Fishwires into the mounting holes. Remove Fishwire and loosely install 1/2" Hex Flange Nuts
6. Torque all 1/2" hardware to 110 ft.-lbs.

PERIODICALLY CHECK THIS RECEIVER HITCH TO ENSURE THAT ALL FASTENERS ARE TIGHT AND THAT ALL STRUCTURAL COMPONENTS ARE SOUND.

Learn more about trailer hitches and towing we have.