

12241



HYUNDAI TUCSON

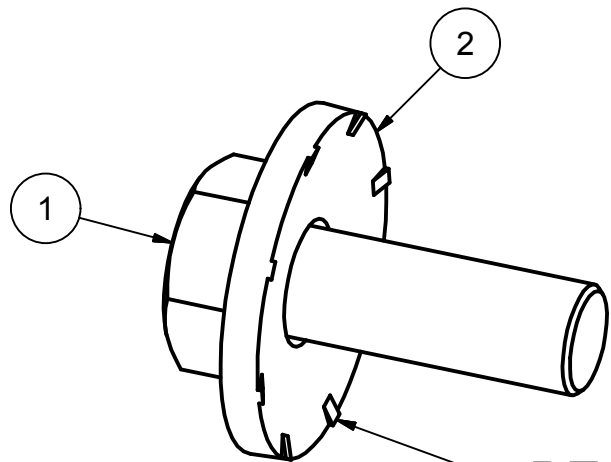
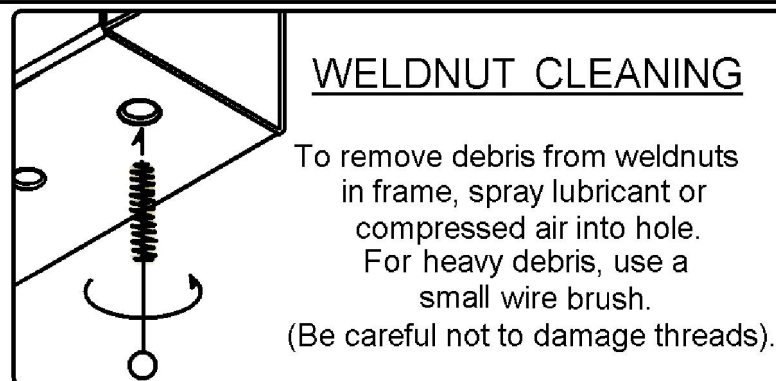
GROSS LOAD CAPACITY WHEN USED AS A WEIGHT CARRYING HITCH: 3,500 LBS. TRAILER WEIGHT & 525 LBS. TONGUE WEIGHT.

DO NOT EXCEED VEHICLE MANUFACTURER'S RECOMMENDED TOWING CAPACITY.

WARNING: ALL NON-TRAILER LOADS APPLIED TO THIS PRODUCT MUST BE SUPPORTED BY 18050 STABILIZING STRAPS.

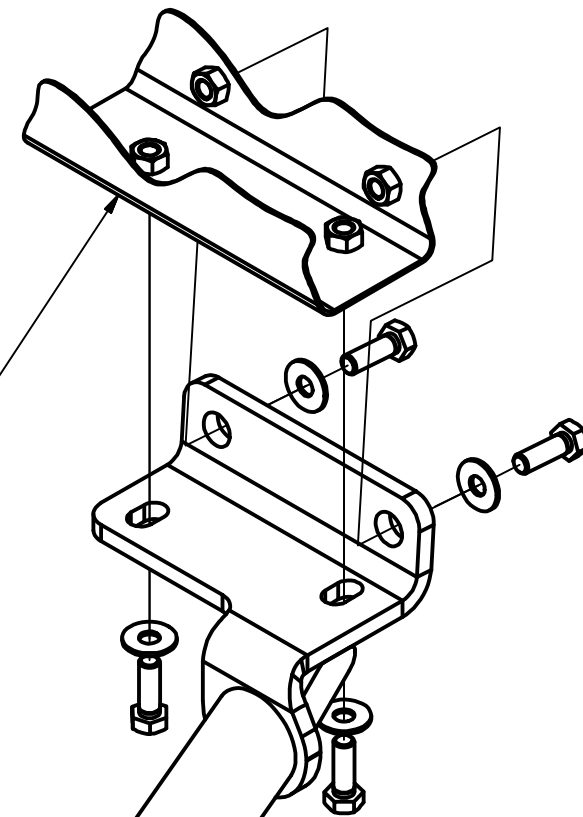
** FAILURE TO PROPERLY SUPPORT NON-TRAILER LOADS WILL VOID PRODUCT WARRANTY**

Parts List			
ITEM	QTY	PART NUMBER	DESCRIPTION
1	8	M10 - 1.25 x 30	HEX BOLT
2	8	3/8"	CONICAL TOOTHED WASHER

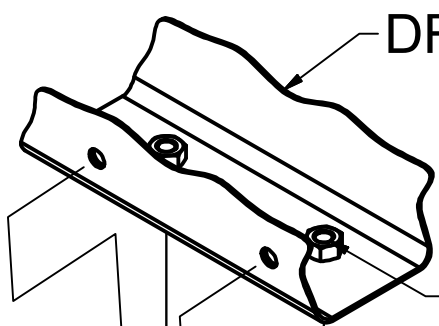


BE SURE TEETH ON THE CONICAL WASHERS ARE AGAINST THE HITCH

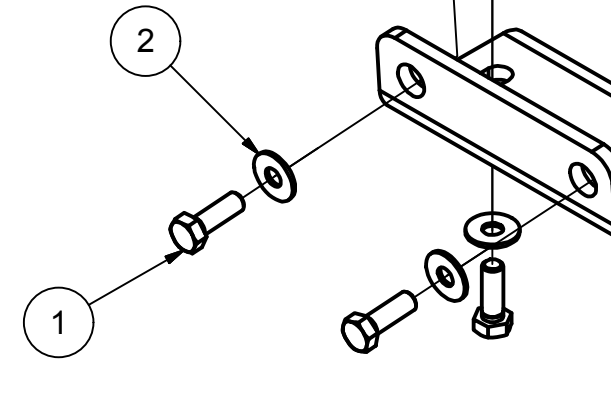
PASSENGER SIDE FRAME RAIL



DRIVER SIDE FRAME RAIL



EXISTING WELDNUTS



EURO MOUNT
OPTION AVAILABLE
#45571 (1 7/8" BALL)
#45572 (2" BALL)

DESIGNED FOR USE WITH
BALLMOUNT #45521

TOOLS REQUIRED

RATCHET
EXTENSION
17mm SOCKET
TORQUE WRENCH
SHORT #2 PHILLIPS SCREWDRIVER
SAFETY GLASSES

HITCH WEIGHT: 27 LBS.

INSTALL TIME

PROFESSIONAL: 20 MINUTES

NOVICE (DIY): 40 MINUTES

INSTALL NOTES:

- NO DRILLING REQUIRED
- REMOVE PLASTIC PANELS (IF EQUIPPED)
- MAY REQUIRE WELD NUT CLEANING

INSTALLATION STEPS

1. If equipped, remove two (2) plastic panels. These are located under the bumper behind the rear tires. Using a screw driver, remove three (3) plastic clips from each panel and pull down to dislodge. Put the panels and fasteners aside for reinstallation later.
2. Start by inserting the hitch over the of the exhaust on the passenger side. Rotate the hitch and raise hitch into position. Install four (4) M10-1.25 x 30 with four (4) 3/8" conical tooth washers per side. Be sure the tooth portion of the washer is against the hitch. **Note:** Pull down on the exhaust to ease the installation process.
3. Torque all M10 fasteners to 40 ft-lbs.
4. Reinstall two plastic panels (if removed in step 1).

PERIODICALLY CHECK THIS RECEIVER HITCH TO ENSURE THAT ALL FASTENERS ARE TIGHT AND THAT ALL STRUCTURAL COMPONENTS ARE SOUND.

Find more CURT products on our website.

Learn more about trailer hitches and towing we have.