

15363

CHEVROLET / GMC 2500 / 3500 (LONG BOX)

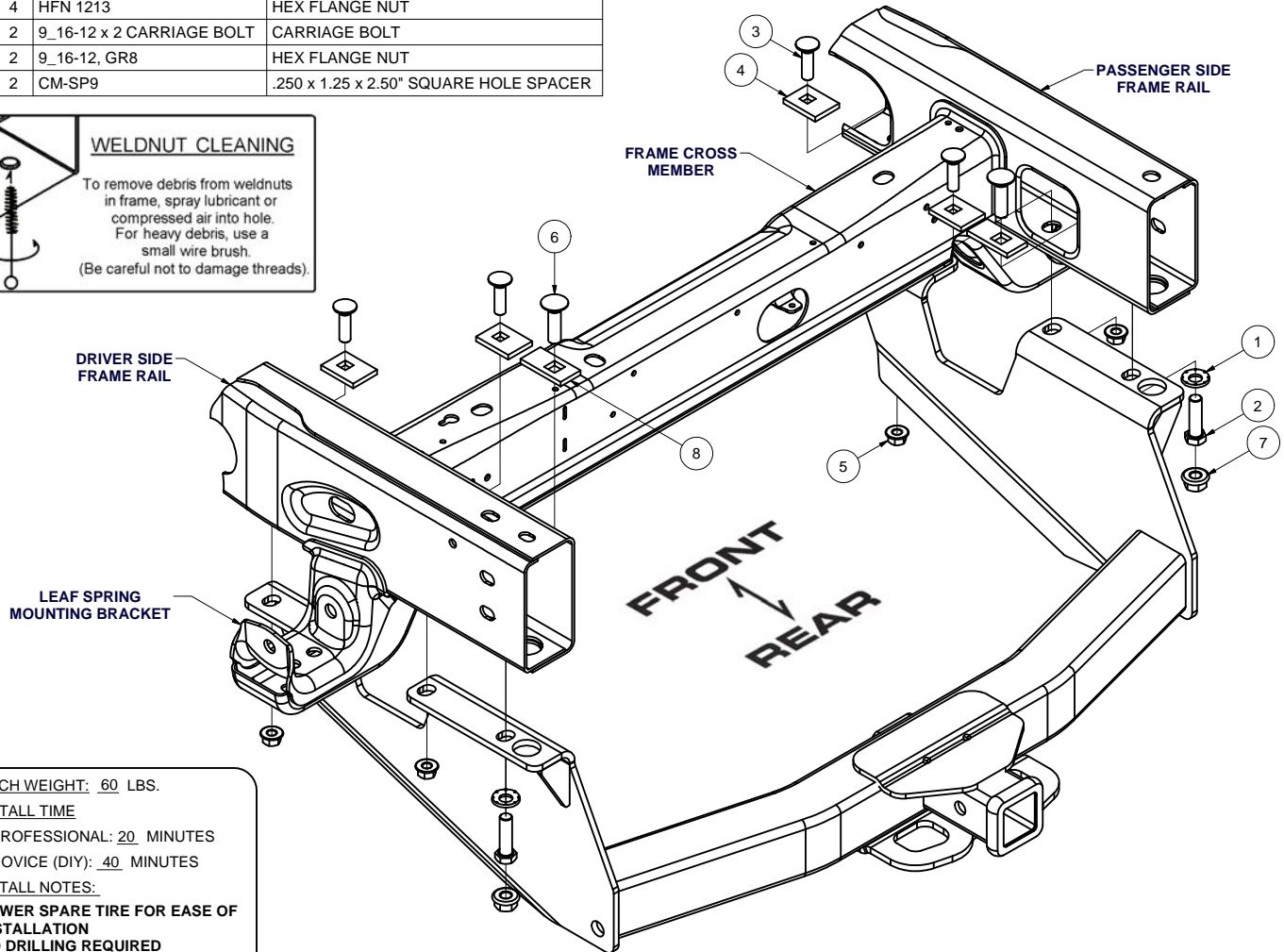
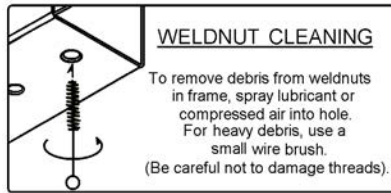
GROSS LOAD CAPACITY WHEN USED AS A WEIGHT CARRYING HITCH: 16,000 LBS. TRAILER WEIGHT & 2,400 LBS. TONGUE WEIGHT.
GROSS LOAD CAPACITY WHEN USED AS A WEIGHT DISTRIBUTION HITCH: 17,000 LBS. TRAILER WEIGHT & 2,400 LBS. TONGUE WEIGHT

DO NOT EXCEED VEHICLE MANUFACTURER'S RECOMMENDED TOWING CAPACITY.

Parts List			
ITEM	QTY	PART NUMBER	DESCRIPTION
1	2	9/16" CONICAL WASHER	CONICAL TOOTHED WASHER
2	2	M14 - 2 x 45 HEX	HEX BOLT
3	4	1/2-13 x 1 3/4	CARRIAGE BOLT
4	4	CM-SP1	.250 x 1.50 x 2.00" SQUARE HOLE SPACER
5	4	HFN 1213	HEX FLANGE NUT
6	2	9_16-12 x 2 CARRIAGE BOLT	CARRIAGE BOLT
7	2	9_16-12, GR8	HEX FLANGE NUT
8	2	CM-SP9	.250 x 1.25 x 2.50" SQUARE HOLE SPACER

TOOLS REQUIRED

RATCHET
TORQUE WRENCH
10" EXTENSION
21mm SOCKET
3/4" SOCKET



HITCH WEIGHT: 60 LBS.

INSTALL TIME

PROFESSIONAL: 20 MINUTES

NOVICE (DIY): 40 MINUTES

INSTALL NOTES:

- LOWER SPARE TIRE FOR EASE OF INSTALLATION
- NO DRILLING REQUIRED

INSTALLATION STEPS

1. Lower spare tire from vehicle to ease installation. If present, remove existing 14mm fasteners from the end of each frame rail and return to customer. **Note:** If weldnuts are not present in the end of the frame rails, install the provided 9/16" carriage bolts and SP9 spacers, as shown.
2. Raise hitch into position, locating slots in hitch over weldnuts in vehicle frame or align with the 9/16" carriage bolts installed in Step (1).
3. Install 14mm bolts and conical toothed washers through hitch into weldnuts in vehicle frame or secure to the 9/16" carriage bolts installed in Step (1) with 9/16" flange nuts. Install 1/2" carriage bolts, spacers, and nuts as shown above.
4. Torque all 9/16" fasteners to 150 ft-lbs.
Torque all 14mm fasteners to 126 ft-lbs.
Torque all 1/2" fasteners to 110 ft-lbs.
5. Raise spare back into position on vehicle.

PERIODICALLY CHECK THIS RECEIVER HITCH TO ENSURE THAT ALL FASTENERS ARE TIGHT AND THAT ALL STRUCTURAL COMPONENTS ARE SOUND.