



Safety glasses should be worn at all times while installing this product.

YEARS: 2008-CURRENT

MAKE: JEEP

MODEL: LIBERTY

STYLE: SUV




WARNING: NEVER EXCEED YOUR VEHICLE MANUFACTURER'S RECOMMENDED TOWING CAPACITY

WEIGHT CARRYING:
 TRAILER WEIGHT: 3,500 LBS.
 TONGUE WEIGHT: 350 LBS.

INSTALLATION TIME: 20 MIN.

THE INSTALL TIME LISTED IS FOR PROFESSIONAL INSTALLERS. IF YOU ARE HESITANT TO UNDERTAKE THIS TASK ON YOUR OWN, CONTACT AN AUTHORIZED CURT INSTALLER FOR ADDITIONAL ASSISTANCE.

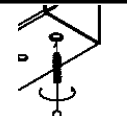

INSTALLATION REQUIRES:

 RATCHET	 18mm 19mm SOCKET	 TORQUE WRENCH
 SAFETY GLASSES		

INSTALLATION TIPS:

- BEFORE YOU BEGIN INSTALLATION, READ ALL INSTRUCTIONS THOROUGHLY.
- TO EASE INSTALLATION, 2 PEOPLE MAY BE REQUIRED.
- USING PROPER TOOLS WILL GREATLY IMPROVE THE QUALITY OF THE INSTALL AND REDUCE THE TIME REQUIRED.

LEVEL OF DIFFICULTY: EASY

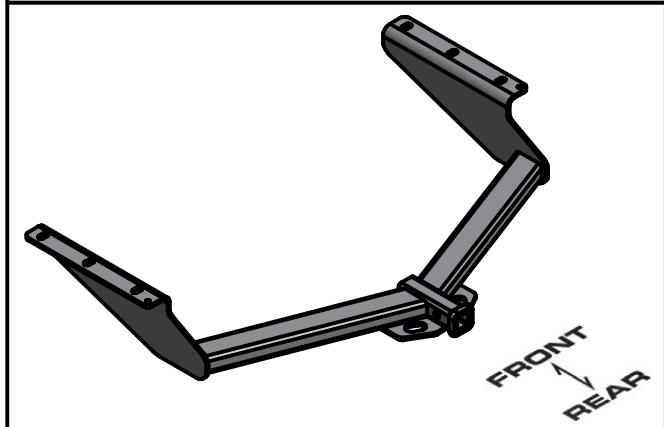
EASY	MODERATE	CHALLENGING
	WELDNUT CLEANING MAY BE REQUIRED	
	NO DRILLING REQUIRED	

VEHICLE PHOTO:



REPRESENTATIVE PHOTO

HITCH ILLUSTRATION:



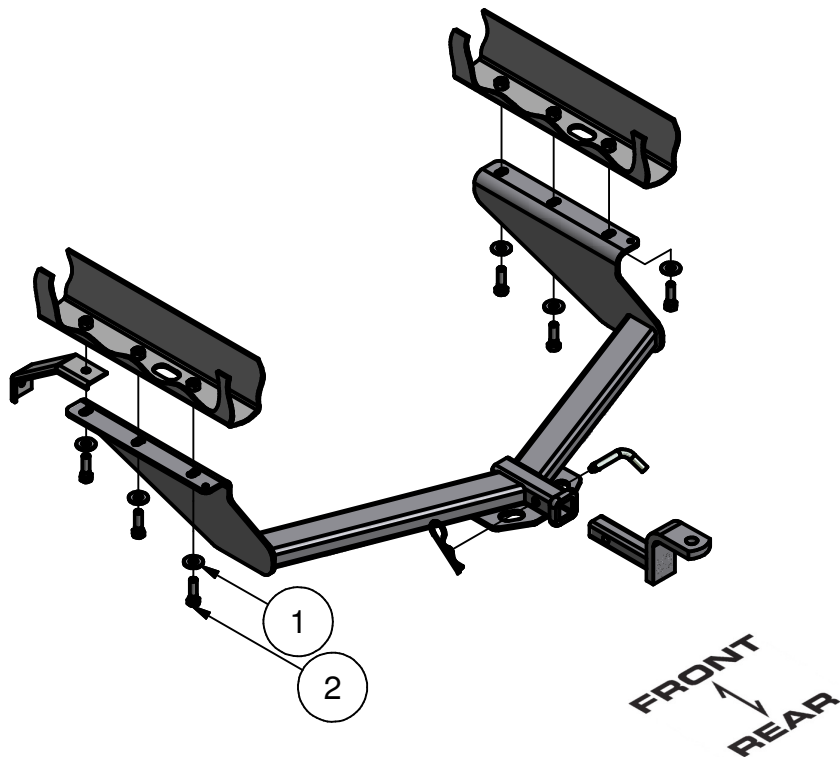
MAKE SURE YOUR HITCH MATCHES

PERIODICALLY CHECK THIS RECEIVER HITCH TO ENSURE ALL FASTENERS ARE TIGHT AND ALL STRUCTURAL COMPONENTS ARE SOUND

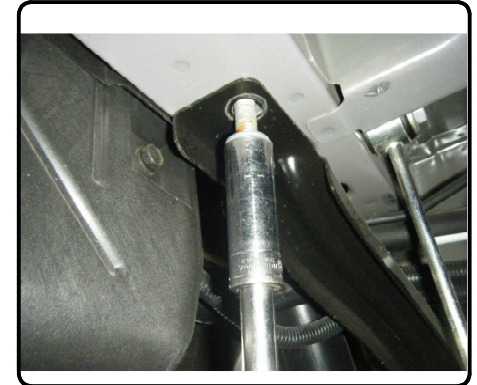
CURT Manufacturing LLC. warrants this product to be free of defects in material and/or workmanship at the time of retail purchase by the original purchaser. If the product is found to be defective, Curt Manufacturing LLC. may repair or replace the product at their option, when the product is returned, prepaid, with proof of purchase. Alteration to, misuse of, or improper installation of this product voids the warranty. Curt Manufacturing LLC.'s liability is limited to repair or replacement of products found to be defective, and specifically excludes liability for incidental or consequential loss or damage.

INSTALLATION WALKTHROUGH:

Parts List			
ITEM	QTY	PART NUMBER	DESCRIPTION
1	6	1/2"	CONICAL TOOTHED WASHER
2	6	M12-1.75 x 40mm	HEX BOLT



Remove bolt from driver's side vehicle support bracket and return to vehicle owner.



Raise hitch into position.



INSTALLATION WALKTHROUGH:

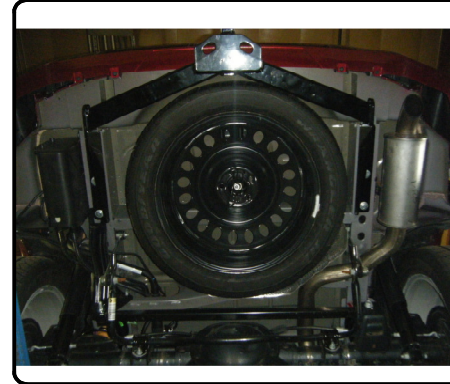
Position hitch over frame and support bracket (driver side) and loosely install the supplied fasteners as shown.



Torque all 12mm fasteners to 59 lb-ft.



Install is now complete.



12245**JEEP LIBERTY**

GROSS LOAD CAPACITY WHEN USED AS A WEIGHT CARRYING HITCH: 3,500 LBS. TRAILER WEIGHT & 350 LBS. TONGUE WEIGHT.
 DO NOT EXCEED VEHICLE MANUFACTURER'S RECOMMENDED TOWING CAPACITY.

Parts List			
ITEM	QTY	PART NUMBER	DESCRIPTION
1	6	1/2"	CONICAL TOOTHED WASHER
2	6	M12-1.75 x 40mm	HEX BOLT

TOOLS REQUIRED

3/8" DRIVE RATCHET

18mm 3/8" DRIVE SOCKET

19mm 3/8" DRIVE SOCKET

3/8" DRIVE TORQUE WRENCH

DRIVER SIDE
FRAME RAILEXISTING WELD NUTS
IN FRAME RAILS
(BOTH SIDES)VEHICLE
SUPPORT
BRACKETPASSENGER SIDE
FRAME RAIL

1

2

DESIGNED FOR USE WITH
BALL MOUNT # D-55001FRONT
↑
REARHITCH WEIGHT: 33 LBS.INSTALL TIME: 20 MINUTES

INSTALL NOTES:

- NO DRILLING REQUIRED
- REMOVE EXISTING BOLT

INSTALLATION STEPS

- 1) Remove bolt from driver's side vehicle support bracket and return to vehicle owner.
- 2) Raise hitch into position.
- 3) Position hitch over frame and support bracket (driver side) and loosely install the supplied fasteners as shown.
- 4) Torque all 12mm fasteners to 59 lb-ft.

PERIODICALLY CHECK THIS RECEIVER HITCH TO ENSURE THAT ALL FASTENERS
ARE TIGHT AND THAT ALL STRUCTURAL COMPONENTS ARE SOUND.

Curt Manufacturing Inc., warrants this product to be free of defects in material and/or workmanship at the time of retail purchase by the original purchaser. If the product is found to be defective, Curt Manufacturing Inc., may repair or replace the product, at their option, when the product is returned, prepaid, with proof of purchase. Alteration to, misuse of, or improper installation of this product voids the warranty. Curt Manufacturing Inc.'s liability is limited to repair or replacement of products found to be defective, and specifically excludes liability for incidental or consequential loss or damage.