



CAUTION: CAREFULLY READ INSTRUCTIONS BEFORE PROCEEDING

OVERVIEW

The WEGO III Dual Display is a complete air/fuel ratio (AFR) metering system with built-in data logging. The system is a versatile tuning aid and diagnostic tool for all carbureted and fuel injected gasoline powered engines. The WEGO unit displays AFR for two channels and can log over 3 hours data including sensor 1 and sensor 2 AFR values, engine RPM, and a spare 0-5V analog input for sensors such as throttle position or manifold pressure.

The WEGO III unit also has the capability to interface to a customer supplied flex fuel sensor and display 0-100% ethanol content. A switch under the sensor 2 LED allows selection of normal AFR display or percent ethanol display.

The ultra-bright daylight readable blue LED display features automatic dimming under low light conditions. The compact size and wide supply voltage range also allow operation from small rechargeable batteries in a broad range of applications.

The system uses a low cost Bosch LSU 4.2 5-wire wide-band oxygen sensor. By utilizing miniature surface mount electronics technology, digital signal processing techniques, and a switching power supply for the sensor heater, the WEGO III provides the same level of accuracy as lab systems costing thousands of dollars.

WEGO III units also have 0-5 volt analog AFR outputs that are compatible with most data acquisition systems.

REPLACEMENT OXYGEN SENSORS AND ACCESSORIES

The WEGO III uses standard Bosch LSU 4.2 sensors used on a VW production application (Bosch P/N 0 258 007 057/058 or VW P/N 021 906 262B). The proprietary VW connector is replaced with a smaller Deutsch DT-04-6P. We offer replacement sensors with the Deutsch connector installed.

If you are testing multiple engines, we also offer additional 18 x 1.5 mm weld nuts for sensor mounting

and 18 x 1.5mm hex socket plugs that screw into the weld nuts and allow removing sensors after tuning.

Some engines using CD (capacitive discharge) ignitions may require a special tach adapter for engine RPM data logging.

INSTALLATION

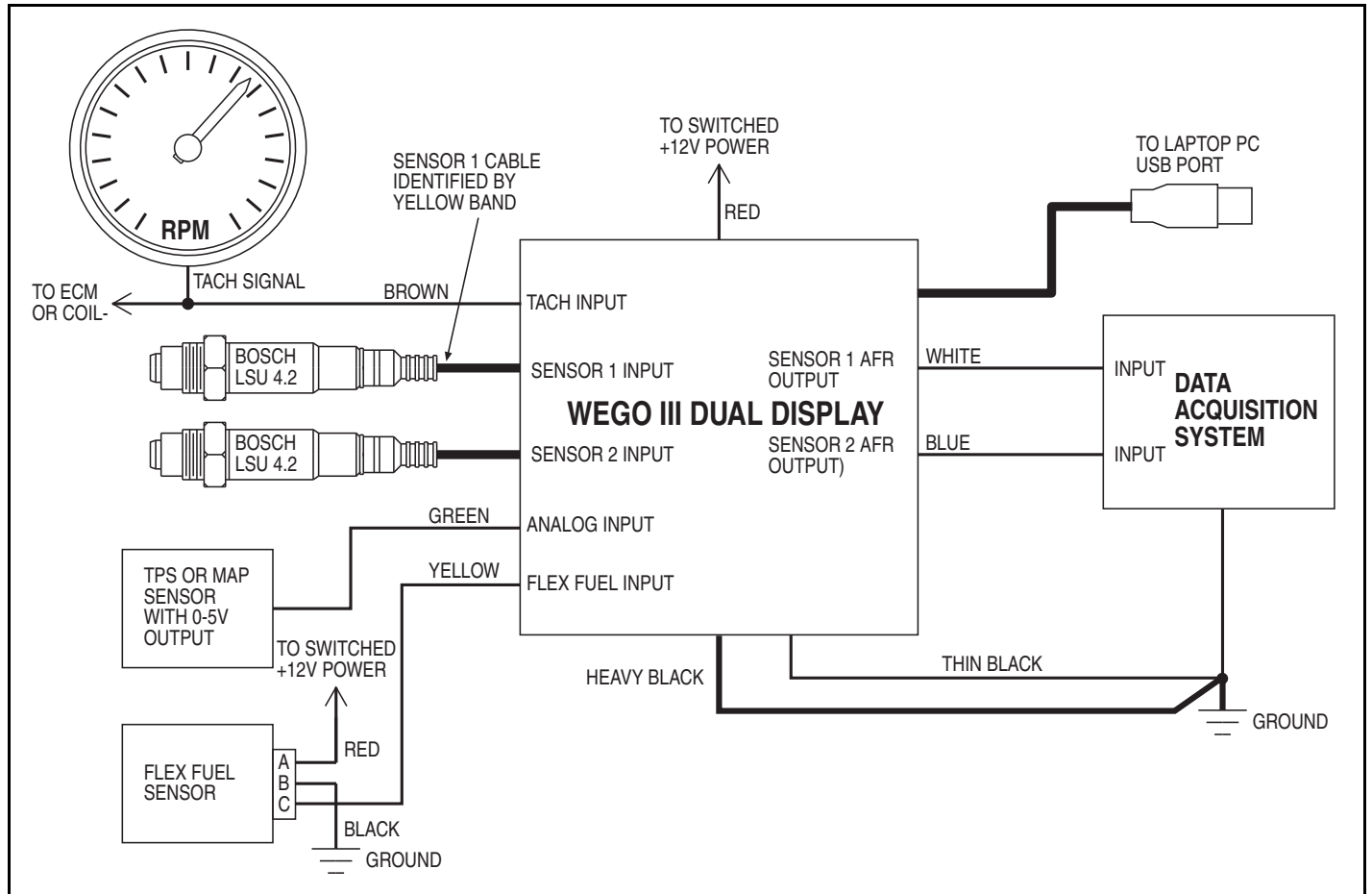
1. Turn off the ignition switch before proceeding.
2. Select a convenient mounting location for the Bosch sensors. In general, the sensors should be mounted as close to the exhaust valves or exhaust manifold as practical. When choosing a mounting location, allow several inches clearance for the sensor wire harness. The wire harness must exit straight out from the sensor. Do not loop the harness back onto the sensor body. The sensor responds to oxygen pressure. Excessive backpressure will cause a reading error. For turbocharged applications, you must mount the sensor downstream of the turbo.
3. For temporary use during dyno tuning, you can mount the Bosch wide-band sensors in place of the original equipment rear oxygen sensors (after the catalytic converter). You can also use sniffers in the tailpipe. For permanent mounting, 18 x 1.5 mm weld nuts must be welded onto the exhaust pipe. After welding, run an 18 x 1.5 mm tap through the threads. Failure to clean the threads may result in sensor damage. Note that most automotive muffler shops are familiar with oxygen sensor weld nut installation on custom pipes. Do not install the sensors until after the free air calibration procedure described in the following section. Always use an anti-seize lubricant such as Permatex 133A on the sensor threads.
4. Install the WEGO III unit where the display will be visible during testing. The unit is fully sealed, but should be mounted away from sources of engine or exhaust heat. The unit can be secured by means of two #10 screws through the mounting flanges or hook and loop fastener tape strips. Use nylon tie wraps to secure the wire harness near the unit.

5. Connect the Bosch sensors to the 6 pin mating connectors on the WEGO III wire harness. 12 foot extension cables (P/N 115004) are available.
6. Refer to Figure 1. Connect the black WEGO III wires to a good frame ground location using the supplied ring terminal. If you are using a data acquisition system, connect the ground wires to the same point that the data acquisition system is grounded. Keep the ground connections as short

as possible. Try to use an existing wire harness ground location. **Do not extend the ground wires or ground the WEGO III to the battery minus terminal or to the engine.**

7. Connect the red WEGO III wire to switched +12V power. You can usually find switched +12V power at an accessory fuse on the fuse block. You can use the supplied fuse tap and 3/16" female crimp terminal for this purpose.

Figure 1 – Typical Vehicle Hookup for WEGO III Dual Display



8. Optional signal hookups, including engine RPM, analog signal data logging, and flex fuel sensor are explained in sections 9-12. If you are not using these features, tape up the unused wires.
9. For engine RPM data logging, connect the brown WEGO III wire to one of the following:
 - a. **Tach signal (preferred for best noise immunity).** The unit is compatible with industry standard 12 volt square wave tach signals such as what would be used to

drive an Autometer or similar aftermarket tach. Most aftermarket CD (capacitive discharge) ignitions including the MSD-6 and Crane HI-6 series have a tach output that you can connect to the WEGO III. 1999-2003 Harley-Davidson® motorcycles with carbureted Twin Cam 88® engines have a tach output on pin 12 of the black ignition module connector. Most 2001 and later Harley-Davidson® motorcycles with 36

pin Delphi® fuel injection ECM have a tach output on pin 3 of the ECM connector.

- b. **Coil- terminal.** The unit is compatible with the signal on the Coil- terminal of most inductive discharge type ignitions. This includes most OE (original equipment) automotive ignitions and all Harley-Davidson® ignitions. For automotive distributorless or Harley-Davidson® single fire systems with multiple coils or coil packs, you can use any one of the Coil-signals.
- c. **Motorcycle and small engine CD (capacitive discharge) ignitions.** Many Japanese motorcycles and small engines use CD ignitions. Any engines with flywheel triggered systems fall into this category. These applications will require a special tach adapter P/N 115005.

Tips are provided for identifying the type of ignition system in use.

The WEGO Dual Channel Data Logging software is used to set the correct scaling for engine RPM in terms of pulses per revolution. The unit can easily be set up for operation with 1-12 cylinder engines. Refer to the software instructions for details.

WARNING: Directly connecting the WEGO III brown wire to the coil of a CD type ignition will damage the unit and void the warranty.

- 10. For analog signal data logging, connect the green WEGO III wire to one of the following:
 - a. **Throttle position sensor.** Most engine controls use a TPS (throttle position sensor) with a 0-5 volt signal range. Refer to your service manual for details.
 - b. **Manifold pressure sensor.** Most engine controls use a MAP (manifold pressure sensor) with 0-5 volt signal range. Refer to your service manual for details.
 - c. **Other 0-5V analog signals.** The WEGO III can log any 0-5V signal. For other sensors, use a scope meter to check the

signal before connecting it to the WEGO III.

The WEGO Dual Channel Data Logging software is used to set the units and scaling for the analog input. Refer to the software instructions for details.

WARNING: Connecting the WEGO III green wire to a high voltage (in excess of 12 volts) will damage the unit and void the warranty.

- 11. Flex fuel sensor. Refer to the flex fuel sensor information on page 5 for compatible part numbers and required connector modification. Connect the red and black wires to switched +12V power and ground. The flex fuel sensor has a digital 50-150Hz square wave output, so power and ground connections are less critical.
- 12. Optional AFR outputs. You can connect the white and blue wires from the WEGO III to 0-5V analog inputs on a data acquisition system.

OPERATION

For more information about wide-band oxygen sensors including the Bosch LSU 4.2, we suggest that you visit the Tech FAQ.

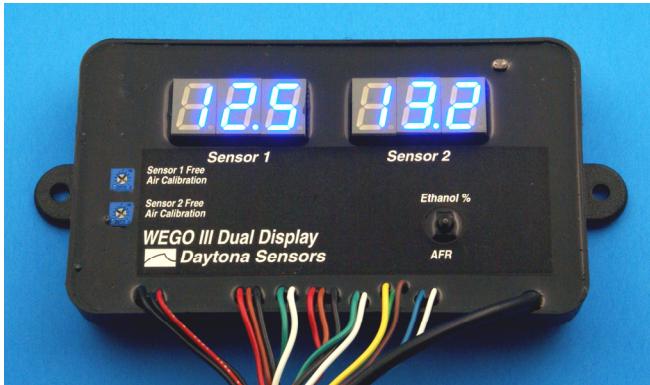
A switch under the sensor 2 LED allows selection of normal AFR display or percent ethanol display (if a customer supplied flex fuel sensor is connected).

The WEGO III display normally shows AFR and status data. The unit includes internal diagnostics for abnormal battery voltage (less than 11 volts or greater than 16.5 volts), sensor open circuit, sensor short circuit conditions, and excessive temperature. When power is turned on, the display will show "CL" (cold) until the attached sensor has reached normal operating temperature. The unit will then display an AFR value, "FA" (free air), "PC" (during PC communications), or diagnostic codes: "SO" (sensor open circuit), "SS" (sensor short circuit), "Lb" (low battery voltage), "Hb" (high battery voltage), or "OT" (over-temperature warning).

After installation, the WEGO III system requires free air calibration. This should be done with the sensor dangling in free air. The environment must be free of hydrocarbon vapors. We suggest that you perform the free air calibration outdoors. Turn the free air calibration trimpot on the WEGO III full

counterclockwise. Turn on power and wait for 60 seconds so the system can fully stabilize. Then slowly turn the free air calibration trimpot clockwise until the display indicates "FA". Try to set the trimpot at the point where the display just starts to indicate "FA".

Figure 2 - WEGO III Dual Display Unit



The free air calibration procedure should be performed at reasonable intervals (every 250-500 hours) or whenever the sensor is replaced. If you cannot get the display to indicate "FA" when the trimpot is turned full clockwise (sensor in free air), you either have a damaged sensor or very high hydrocarbon levels in your environment.

The WEGO III will start logging data once the sensor has reached normal operating temperature and the unit displays an AFR value or "FA". The unit will not log data when "CL" or "PC" is displayed. The unit stops logging data while a diagnostic code is set (however the code is logged). The interval between samples can be set from 0.1-1.0 seconds using the WEGO Dual Channel Data Logging software. The unit stores the last 12,000 samples. The software also displays any logged diagnostic codes. Refer to the software instructions for details.

The "OT" diagnostic code indicates that the WEGO III unit (not the sensor) is too hot. This may occur if the unit is operated for an extended period of time at ambient temperatures above 150° F.

Data logging for wide-band oxygen sensor 2 is not interrupted when percent ethanol display mode is selected. In percent ethanol display mode, additional diagnostic codes include "SF" (sensor fault) and "CF" (contaminated fuel).

EXHAUST CONSIDERATIONS

The WEGO III system may give inaccurate results in certain situations:

Excessive exhaust back pressure. Wide-band sensors are affected by back pressure. Excessive back pressure causes exaggerated AFR indications under rich and lean conditions, but has little effect at the stoichiometric AFR. The WEGO III is intended to be used with a free flowing performance exhaust. Overly restrictive stock mufflers may cause excessive back pressure under wide open throttle. When used with a turbo system, the sensor must be mounted downstream of the turbo.

Exhaust reversion. Reversion is the term for a negative pressure wave that can suck ambient air back into the exhaust and cause an erroneous lean AFR indication. Exhausts without mufflers, such as open headers or "drag pipes" on motorcycles, usually suffer from reversion effects and may not be suitable for use with the WEGO III. Reversion effects will also occur with certain exhausts used on "bagger" style motorcycles, where two pipes split off near the rear cylinder. Reversion effects will be most noticeable at idle, part throttle low RPM cruise, and decel.

Excessive scavenging. Turbo systems or tuned exhausts in combination with a high overlap camshaft profile can force unburned air and fuel mixture through the cylinder into the exhaust and cause an erroneous rich AFR indication.

Misfiring. If the AFR is so rich that the engine misfires, high levels of oxygen will remain in the exhaust gas and result in an erroneous lean indication.

APPLICATIONS

WEGO units are useful in a wide range of engine tuning and testing applications. WEGO units can be programmed with the WEGO Dual Channel Data Logging software to display Lambda or correct AFR values for any hydrocarbon fuel with a known stoichiometric ratio. After free air calibration, accuracy is ± 0.007 Lambda (± 0.1 gasoline AFR) over the range of 0.70-1.33.Lambda (10.3-19.5 gasoline AFR). Regardless of the units displayed on the WEGO, data is logged internally in Lambda units and can be rescaled in the software for any fuel type. Refer to the software instructions for details.

All WEGO units have the same scaling for the 0-5 volt analog outputs on the white and blue wires:

Lambda:

$$\text{Lambda} = .1361 \times (\text{Vout} + 5) \text{ or}$$

$$\text{Vout} = (7.345 \times \text{Lambda}) - 5$$

Gasoline:

$$\text{AFR} = 2 \times (\text{Vout} + 5) \quad \text{or}$$

$$\text{Vout} = (0.5 \times \text{AFR}) - 5$$

When power is first turned on and the sensors are not yet at their normal operating temperature, the analog outputs are held at less than 0.20 volts. During free air calibration and while the unit displays "FA", the analog outputs will be near 5.0 volts.

GASOLINE ENGINE TUNING GUIDELINES

Higher AFR values correspond to a leaner (less fuel) condition. The practical operating range for most engines using gasoline fuel is from approximately 11.5 to 14.7 AFR. Combustion of a stoichiometric mixture (exactly enough air to burn all the fuel) results in 14.7 AFR indication. Automotive engines with catalytic converters operate near 14.7 AFR during cruise and idle. Race engines usually require a richer mixture to limit cylinder head temperature and prevent detonation. The table below lists reasonable AFR values for race engines without emission controls.

Operating Mode	Recommended AFR
Cold Start (first 30 sec)	11.5-12.5 AFR 0.78-0.85 Lambda
Idle	12.8-13.5 AFR 0.87-0.92 Lambda
Part Throttle Cruise	13.0-14.0 AFR 0.88-0.95 Lambda
Wide Open Throttle (normally aspirated)	12.5-12.8 AFR 0.85-0.87 Lambda Values down to 11.5 AFR or 0.78 Lambda may be used to reduce detonation
Wide Open Throttle (turbo/supercharged)	10.8-11.8 AFR 0.73-0.80 Lambda

EXHAUST SNIFFERS

WEGO units can be used with easily fabricated exhaust sniffers that allow temporary installation on most automobiles and motorcycles for tuning and diagnostic purposes, including vehicles with catalytic converters. The exhaust sniffers are constructed from materials that are readily available at any hardware store.

FLEX FUEL SENSOR

The WEGO III is compatible with Continental flex fuel sensors P/N 1312202158 (short fuel lines) or P/N 1218601076 (long fuel lines). These sensors correspond to GM P/Ns 13577379 or 13577394. A minor modification is required to cut off two keying tabs at sides of the connector (white arrows in Figure 3 below).

Figure 3 – Flex Fuel Sensor

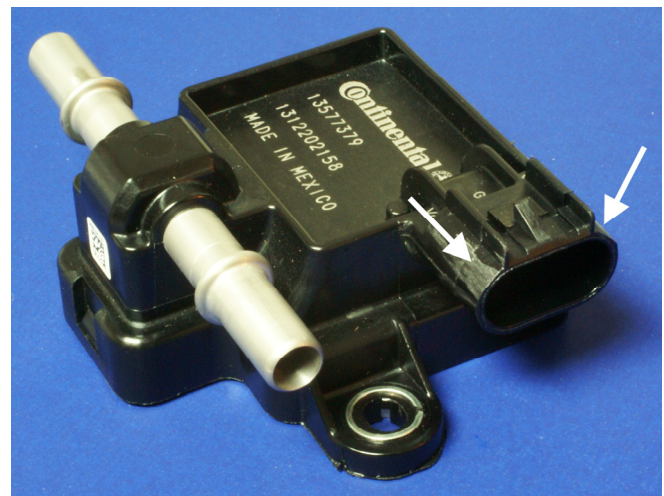
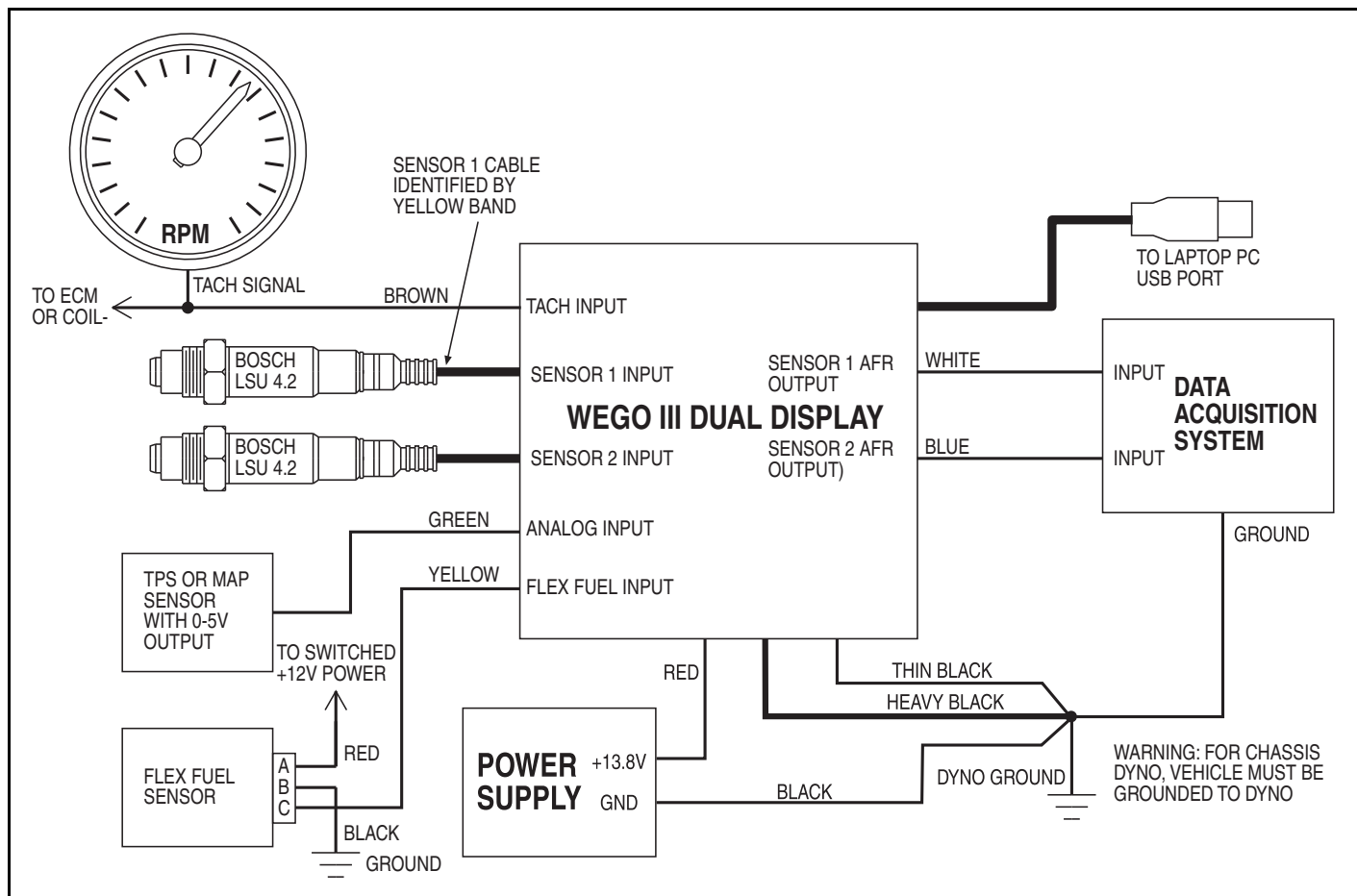


Figure 4 – Typical Dyno Hookup for WEGO III Dual Display



DYNO WIRING HOOKUP

Refer to Figure 4. The power supply must be located in close proximity to the WEGO unit. We recommend mounting the WEGO unit on a panel next to the dyno data acquisition system and then running extension cables out to the sensors in the dyno room. **Keep all power and ground connections as short as possible. Follow the exact layout shown in Figure 4. Do not add additional terminal blocks or connectors to power or ground connections.**

DYNO GROUNDING

Improper grounding will cause serious problems. The dyno frame or chassis must be connected to building electrical ground in accordance with National Electrical Code (NEC) requirements.

Vehicles operated on a chassis dyno will generate considerable electrostatic charge. The vehicle must be grounded to the dyno frame while in

operation. You can use a length of 16 AWG wire with one end secured to the dyno frame and the other end equipped with a heavy duty alligator clip that is attached to the vehicle frame or other vehicle ground point. Failure to ground the vehicle will lead to electrostatic discharge (ESD) across the WEGO sensor damaging the sensor and WEGO unit.

CAUTION: To avoid damage to the WEGO, a secure ground connection must be established between the vehicle and dyno chassis before connecting tach or analog signals.

WEGO POWER REQUIREMENTS

WEGO systems are intended for nominal 12 volt automotive applications. Nominal 12 volt automotive electrical systems on alternator equipped vehicles

typically operate at 13.8-14.4 volts while the engine is running. The WEGO can operate from 9.0 to 18.0 volts.

WEGO units also feature low power consumption (about 2 amps). For small engine applications, you can power the WEGO for over one hour from a 12 volt gel cell type rechargeable battery, such as the type used for backup power in alarm systems.

Vehicles with nominal 12 volt total loss electrical systems (no alternator) can momentarily drop below the 9.0 volt minimum level when heavy loads, such as fans or nitrous solenoids engage. This will cause the WEGO to reset and result in a loss of data for 10-15 seconds.

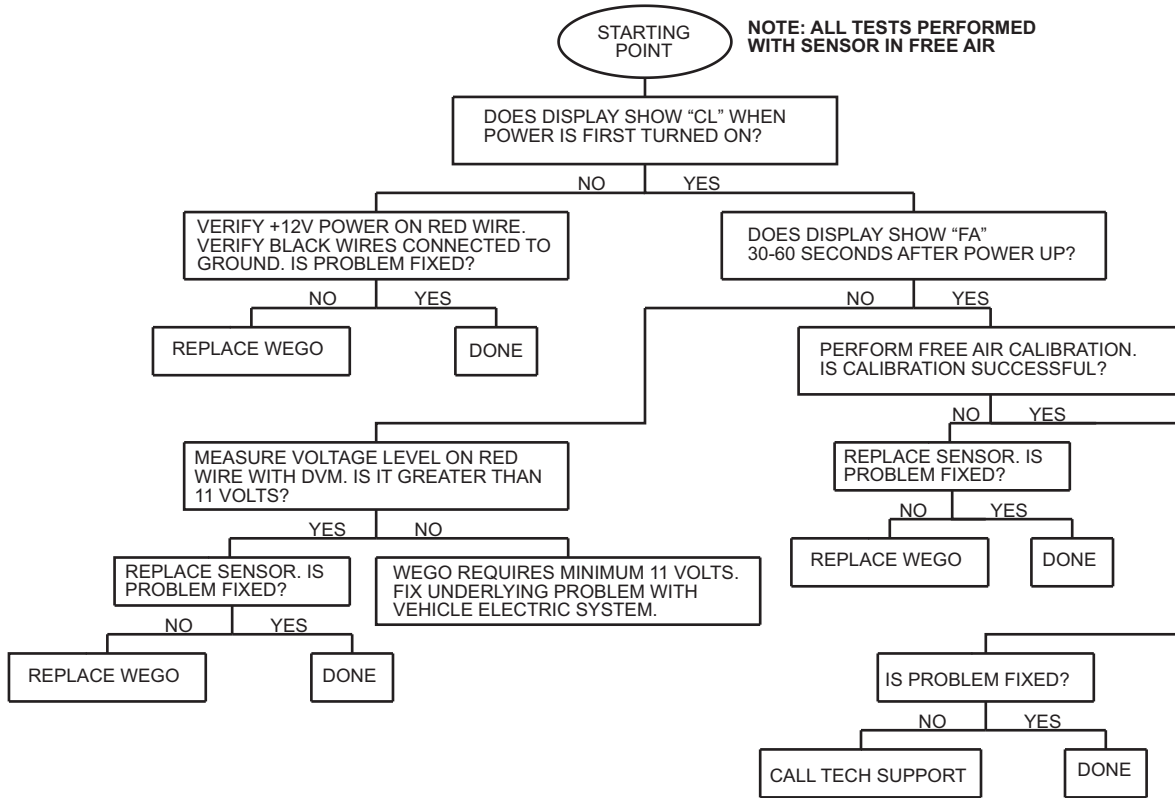
Vehicles with nominal 16 volt electrical systems equipped with race type alternators may reach 18.6 volts while the engine is running. The WEGO will shut off if the voltage exceeds 18.0 volts. Call our tech support before attempting to install any WEGO system on a nominal 16 volt electrical system with an alternator.

TROUBLESHOOTING FLOWCHART

Follow the troubleshooting flowchart shown below. Experience has shown that most units returned for warranty are OK and another problem, such as user

error, a degraded sensor, or bad power connections is later identified.

Troubleshooting Flowchart



CAUTION: Racing gasoline containing lead will quickly degrade the sensors. Under these conditions, expected sensor life is less than 10 hours. There is no warranty on sensors.

CAUTION: WEGO III units are waterproof. However, the units should not be left exposed where they are subjected to rain or high pressure washing.