

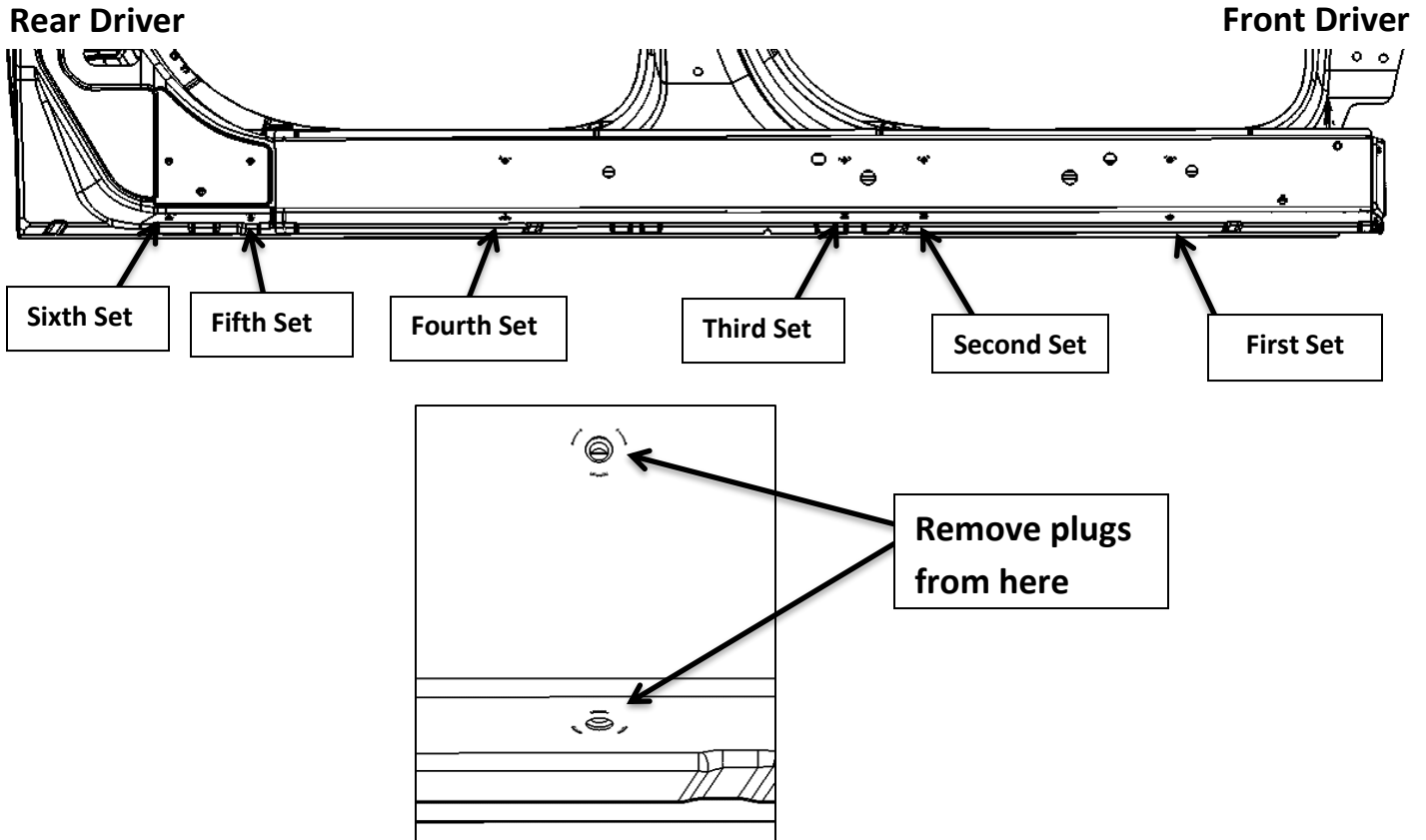


NXT Running Board / 6" Step Tube Installation Instructions DZ 16340 (2019-Current) CHEVY Silverado / GMC Sierra

<div style="border: 1px solid black; padding: 5px; margin-bottom: 5px;"> A NXt Running Board <div style="border: 1px solid black; padding: 2px; text-align: center; margin: 5px 0;"> ***BOARDS SOLD SEPERATELY </div> </div> <div style="display: flex; justify-content: space-between; margin-top: 10px;"> Various X2 </div>	<div style="border: 1px solid black; padding: 5px; margin-bottom: 5px;"> B 6" Oval Step Tube <div style="border: 1px solid black; padding: 2px; text-align: center; margin: 5px 0;"> ***TUBES SOLD SEPERATELY </div> </div> <div style="display: flex; justify-content: space-between; margin-top: 10px;"> Various X2 </div>	<div style="border: 1px solid black; padding: 5px; margin-bottom: 5px;"> C Bracket </div> <div style="display: flex; justify-content: space-between; margin-top: 10px;"> B 2597P X6 </div>
<div style="border: 1px solid black; padding: 5px; margin-bottom: 5px;"> D M8-1.25X29mm Hex SEMS Bolt </div> <div style="display: flex; justify-content: space-between; margin-top: 10px;"> PN 907 X12 </div>	<div style="border: 1px solid black; padding: 5px; margin-bottom: 5px;"> E 8mm Hex Flange Nut </div> <div style="display: flex; justify-content: space-between; margin-top: 10px;"> PN 526 X12 </div>	
Tools Required <div style="display: flex; justify-content: space-around; align-items: center; margin-top: 10px;"> <div style="text-align: center;"> <p>Ratchet / Wrench 13mm</p> </div> <div style="text-align: center;"> <p>Straight Blade Screwdriver</p> </div> </div>		Tools Recommended <div style="text-align: center; margin-top: 10px;"> <p>Tape Measure</p> </div>

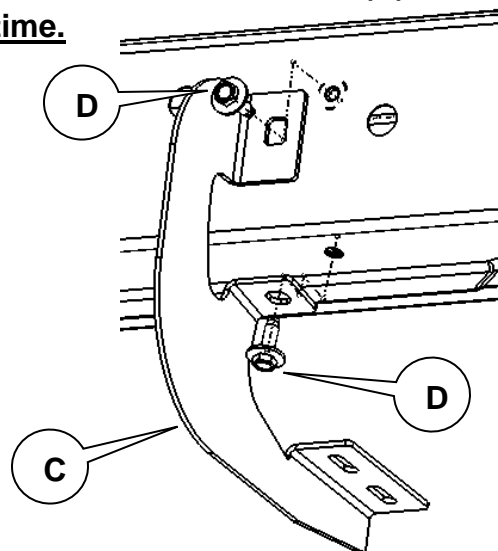
1

Using a straight blade screw driver, pry the plastic caps out of the holes. There are different locations depending on the cab type of your vehicle. For Regular Cab, remove the first set of plugs and the fourth set of plugs. For Extended Cab, remove the first set of plugs, the third set of plugs and the fifth set of plugs. For Crew Cab, remove the first set of plugs, third set of plugs, and sixth set of plugs. Crew Cab is shown below



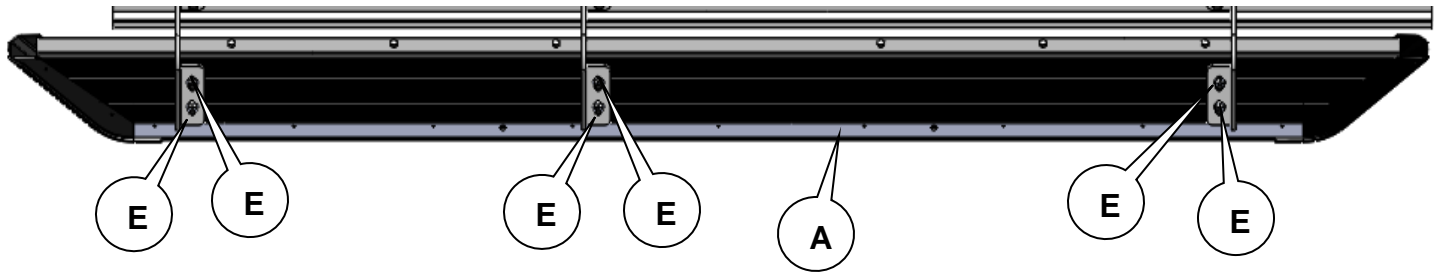
2

Attach a Bracket (C) to each of the Driver's side Locations where the plugs were removed in step 1 using two 8mm Hex Head Bolts (D) at each location. Do not completely tighten at this time.



3 This step is for installing NXt Running Boards ONLY. Go to 5 for Step Tubes.

Attach the NXt Running Board (A) to the braces. Move the bolts that are attached in the channels of the board so that they are in the slots of the brackets. Attach the M8 Nuts (E) using a 13 mm ratchet or wrench to the bolts once they are through the slot. Do not completely tighten the nuts at this time. Repeat on other side.



4 This step is for installing NXt Running Boards ONLY. Go to 5 for Step Tubes.

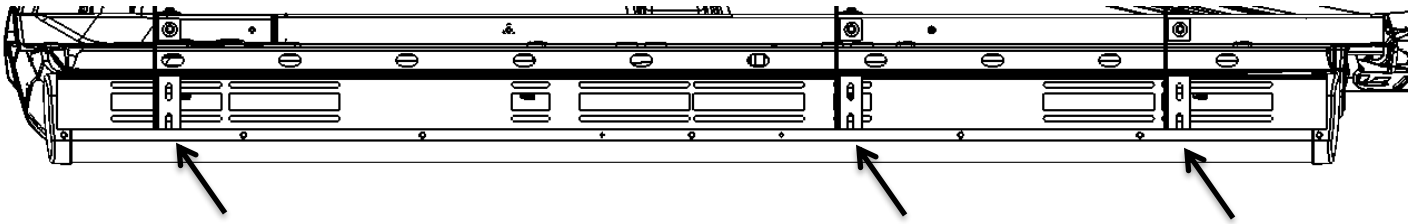
Adjust the board as necessary front to back. Once the board is in the desired location front to back, tighten the Nuts (E) that connect the board to braces. Repeat for other side.

Adjust the board as necessary up and down. Once the board is in the desired location up and down, tighten the Bolts (D) that connect the braces to the truck. Repeat for the other side.

5

This step is for installing 6" Oval Step Tubes ONLY. Go to 3 for NXt Running Boards.

Set the tube on the brackets and adjust as necessary front to back. Look under the tube to determine which sets of slots will be used to attach the tube to the braces.



Remove the tube and install the 8mm U-nuts that came with the Step Tubes (B) into the slots identified above. Use 2 U-nuts per brace location. Repeat on other side

6

This step is for installing 6" Oval Step Tubes ONLY. Go to 3 for NXt Running Boards.

Attach the tube to the braces using the 8mm x 20 mm Bolt that came with the Step Tubes (B). Tighten bolts with a 13mm wrench or socket. Repeat for other side.

Adjust the tube as necessary up and down. Once the tube is in the desired location up and down, tighten the Bolts (D) that connect the braces to the truck. Repeat for the other side.