



**INSPECT YOUR PRODUCT FOR DAMAGE & MISSING
PARTS BEFORE PROCEEDING TO INSTALLATION**

PROCEDURE FOR RETURNS OR MISSING HARDWARE

-PLEASE CONTACT THE ORIGINAL POINT OF PURCHASE FOR:
SHIPPING DAMAGE, RETURNS, OR WARRANTY CLAIMS

Operating, servicing, and maintaining a passenger vehicle can expose you to chemicals such as lead, phthalates, engine exhaust, and carbon monoxide that are known to the State of California cause cancer and birth defects or other reproductive harm. To minimize exposure, service your vehicle and its accessories in a well-vented area and wear gloves or wash your hands frequently.



Thank you for choosing Dee Zee to add function and accessorize your vehicle. Dee Zee has been a staple brand in the truck accessory market since 1977 and we hold a reputation of quality manufacturing based in America's Heartland. Our products are born through careful engineering and backed by industry leading warranty programs. We appreciate the opportunity to serve you and your vehicle!

Review the instruction pages in their entirety to prepare the required tools

Warning: Please check for wiring or other obstructions before drilling any holes in the vehicle. If it is necessary to drill any holes, Dee Zee recommends putting a sealant or rust inhibitory around all holes drilled into the body of the vehicle.

It is the sole responsibility of the vehicle owner to check for tire clearance. It is unlawful and dangerous to ride on any external vehicle step while the vehicle is in motion.

Cleaning: To be entitled to all warranty rights offered with the product, Dee Zee steps need to be cleaned regularly with a mild detergent. Do NOT use abrasive cleaners. For stainless steel products, the application of a high grade automotive wax is recommended.

DISCLAIMER

All products are sold as appearance accessories and should not be relied upon as protection for the vehicle or its occupants in the event of an accident. Vehicles equipped with a supplemental restraints system (air bags) deployed by impact and collision avoidance systems should not be modified in any way. Always consult the vehicle manufacturer if you have any questions regarding supplemental restraint systems and sensors.

Buyer must accommodate front and rear sensors during product installation and assumes all risk should these be tampered, rerouted, severed, or disconnected. This includes disabling visual, audio, or vibration alerts into the cab. Buyer assumes all risk and responsibility for wiring any supplemental auxiliary lights.

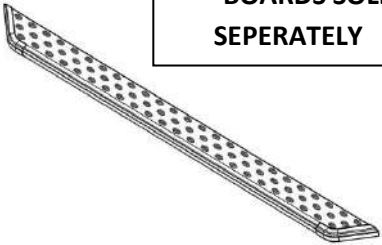
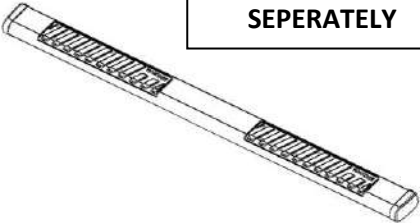
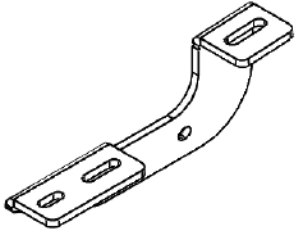
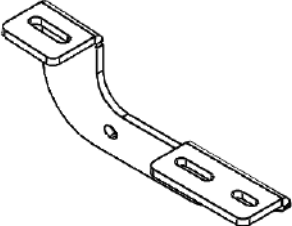
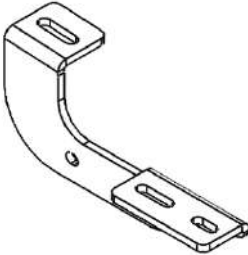
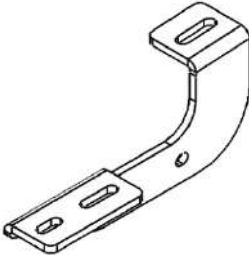
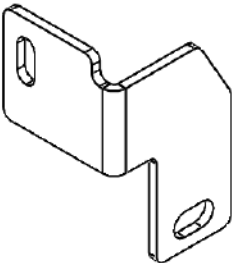
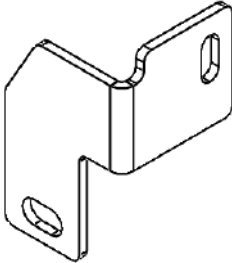

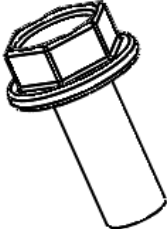
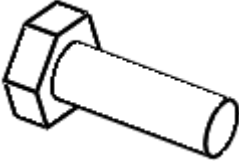
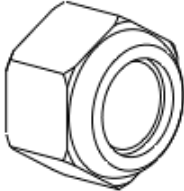
Buyer assumes all risk, liability, and cost for the installation and use of Dee Zee products. Dee Zee, Inc. assumes no liability for injury, loss, incidental or consequential damages in the event of an accident.



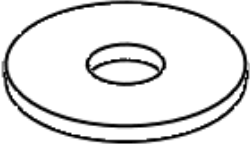
Dee Zee Cares - Please Recycle

NXt Running Board / 6" Step Tube Installation Instructions

DZ 16346 Jeep Wrangler JL 2018- Current

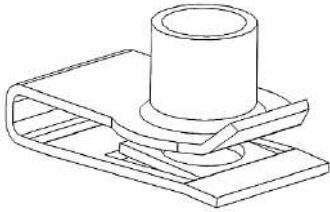
<p>A NXt Running Board</p> <div style="border: 1px solid black; padding: 5px; width: fit-content; margin: 10px auto;"> <p>***BOARDS SOLD SEPERATELY</p> </div>  <p>Various X2</p>	<p>B 6" Oval Step Tube</p> <div style="border: 1px solid black; padding: 5px; width: fit-content; margin: 10px auto;"> <p>***TUBES SOLD SEPERATELY</p> </div>  <p>Various X2</p>	<p>C Driver Middle Bracket</p>  <p>B 2659LP X1</p>
<p>D Passenger Middle Bracket</p>  <p>B 2659RP X1</p>	<p>E Driver Rear and Passenger Front Bracket</p>  <p>B 2658RP X2</p>	<p>F Driver Front and Passenger Rear Bracket</p>  <p>B 2658LP X2</p>
<p>G Right Support Bracket</p>  <p>B 2660RP X3</p>	<p>H Left Support Bracket</p>  <p>B 2660LP X3</p>	<p>I M8-1.25 Hex Flange Nut</p>  <p>PN 526 X18</p>
<p>J M8-20mm Hex Flange Bolt</p>  <p>X12 come with Step Tube PN 527 X6 come with bracket kit</p>	<p>K 1/4-20 x 3/4 Hex Head Bolt</p>  <p>PN 70B X6</p>	<p>L 1/4-20 Nylon Lock Nut</p>  <p>PN 341 X6</p>

M M6 Oversized Washer



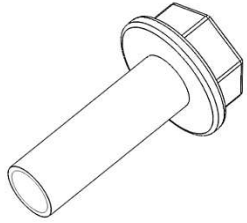
PN 785B X6

N 8mm U-Nut



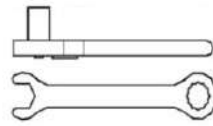
PN 909 X12 come with Step Tube

O 8mm Hex Flange Bolt



PN 525 X6

Tools Required



13mm
7/16

1 First locate the threaded holes in the rocker panel. They should be located towards the front, middle, and rear of the vehicle. Driver's side shown on a 4 door Wrangler. If you have a 2 door Wrangler you will not use brackets C and D refer to step 1a.



Front



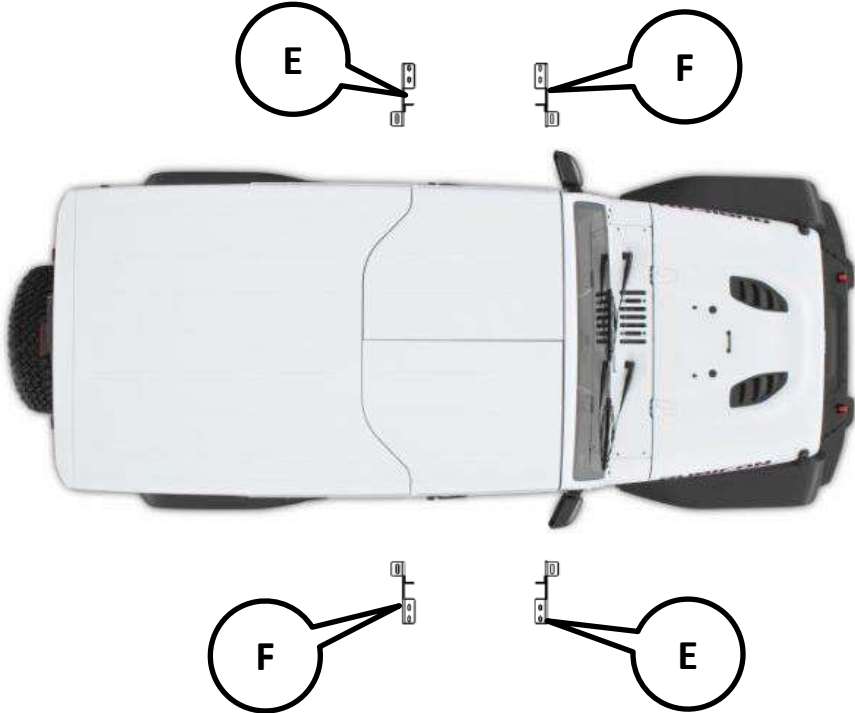
Middle



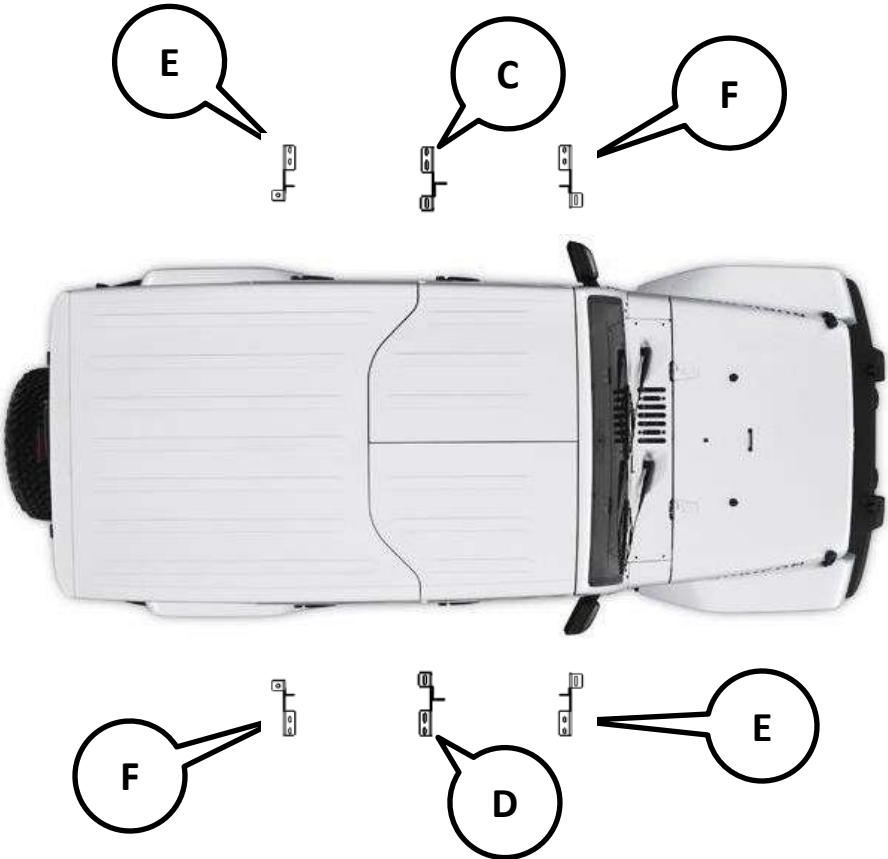
Rear

1a

2 door

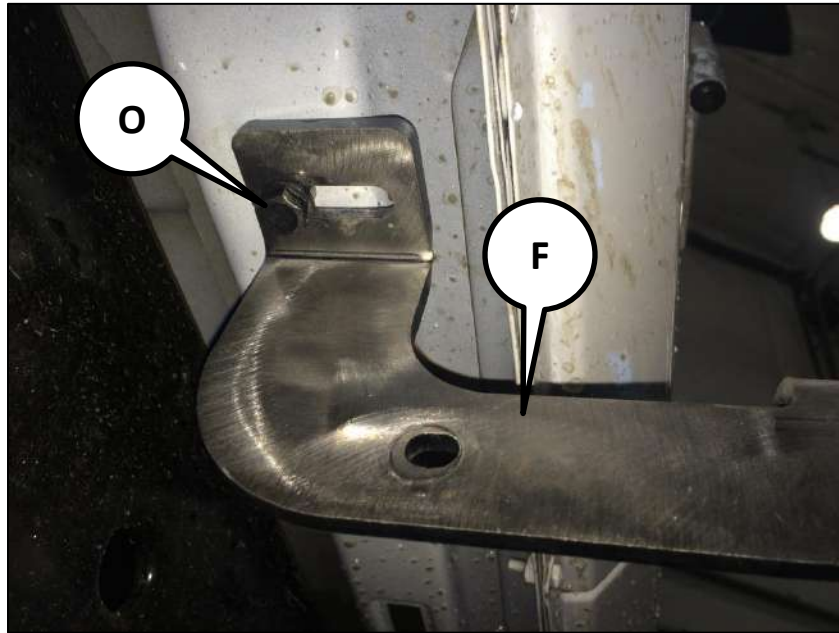


4 door



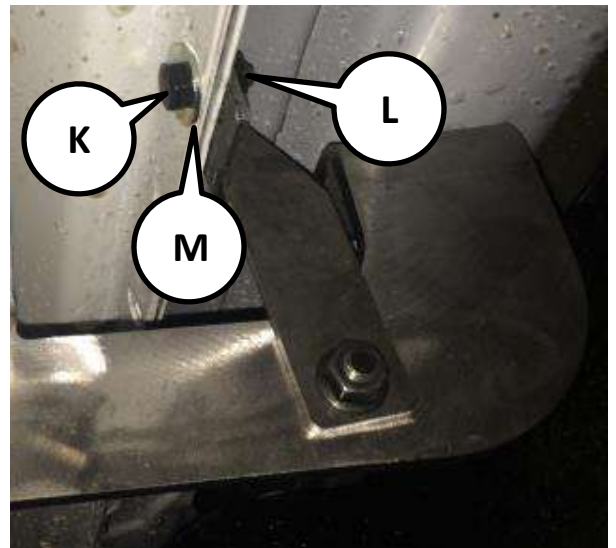
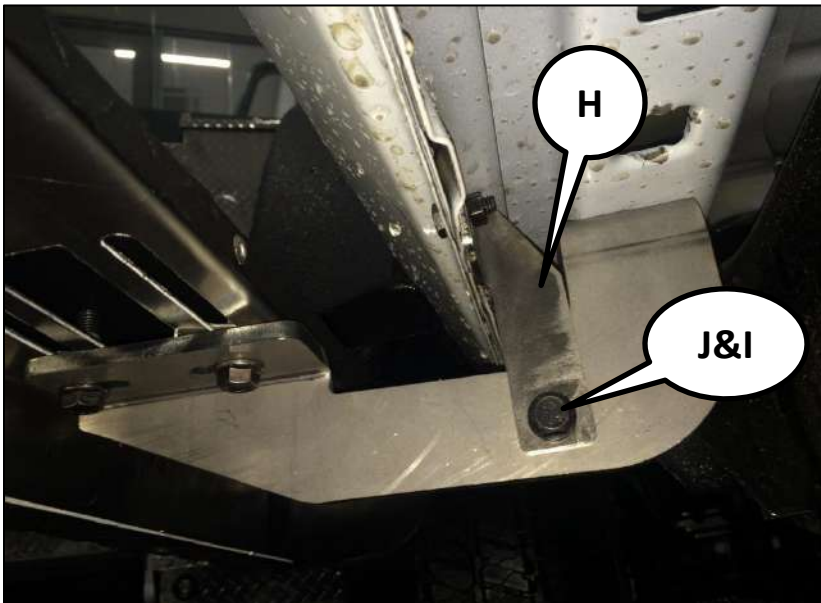
2

Attach the driver front bracket (F) in the front threaded hole using bolt (O). Do not fully tighten hardware at this time.



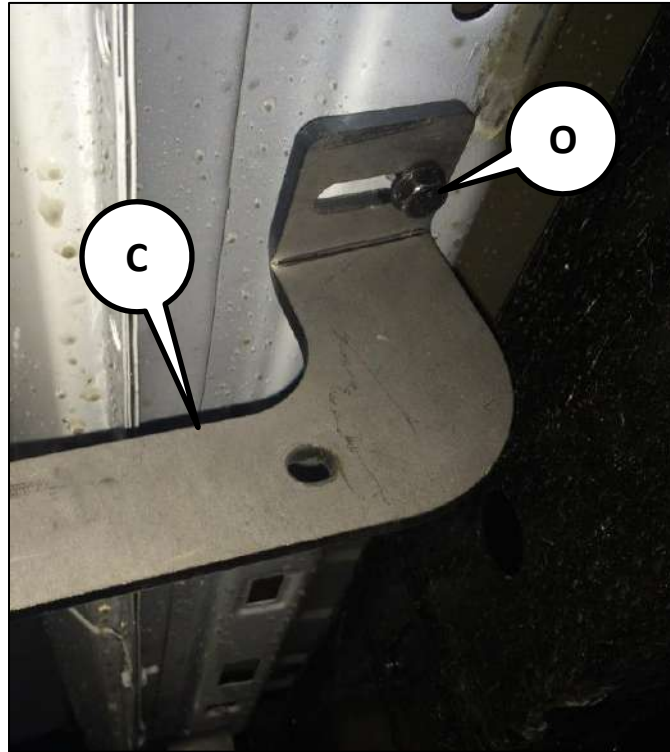
3

Next attach the left support bracket (H) to the driver front bracket using bolt (J) and nut (I) and attach the left support bracket to the lip of the rocker panel using bolt (K), washer (M) and nut (L). Do not fully tighten hardware at this time.



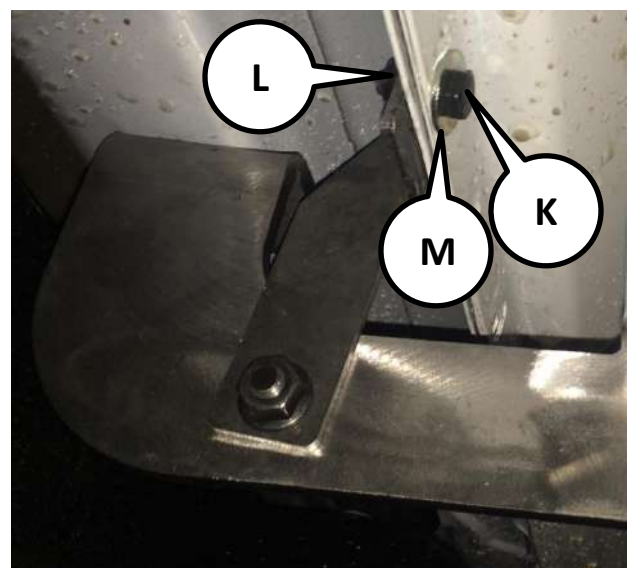
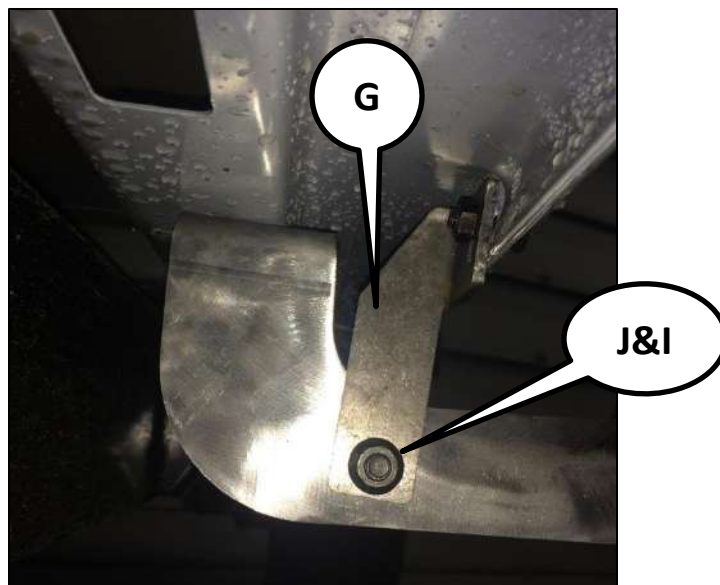
4

Attach the driver middle bracket (C) in the middle threaded hole using bolt (O). Do not fully tighten hardware at this time. If you have a 2 door Wrangler skip steps 4 and 5.



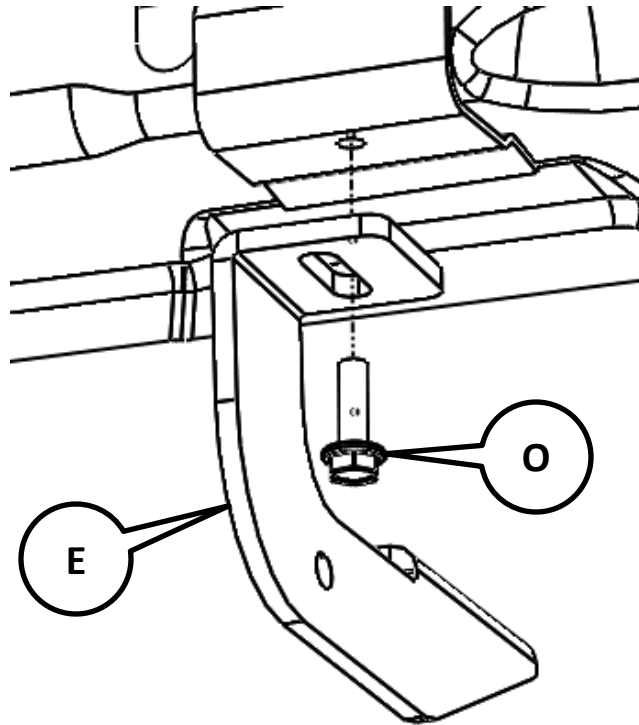
5

Next attach the right support bracket (G) to the driver middle bracket using bolt (J) and nut (I) then attach the right support bracket to the lip of the rocker panel using bolt (K), washer (M) and nut (L). Do not fully tighten hardware at this time.



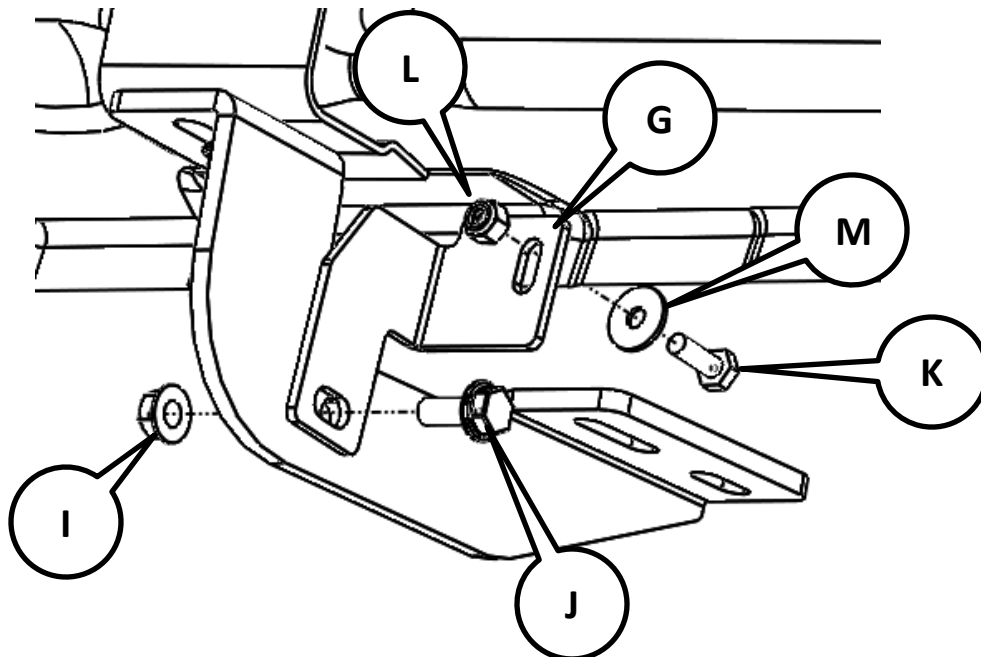
6

Attach the driver rear bracket (E) in the rear threaded hole using bolt (O). Do not fully tighten hardware at this time.



7

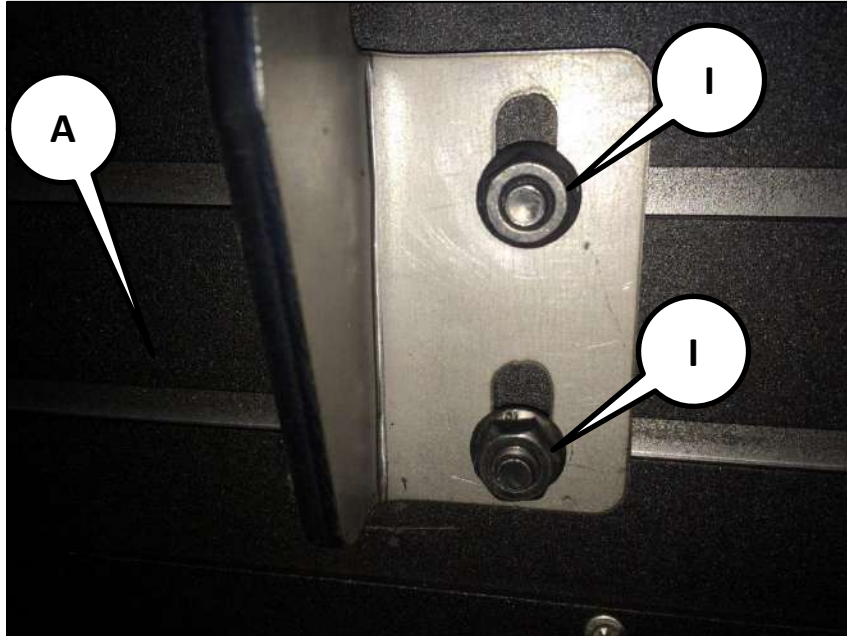
Next attach the right support bracket (G) to the driver rear bracket using bolt (J) and nut (I) then attach the right support bracket to the lip of the rocker panel using bolt (K) washer (M) and nut (L). Do not fully tighten hardware at this time.



8a

This step is for installing NXt Running Boards ONLY. Go to 9a for Step Tubes.

Attach the NXt Running Board (A) to the braces. Move the bolts that are attached in the channels of the board so that they are in the slots of the brackets. Attach the nuts (I) using a 13 mm ratchet or wrench to the bolts once they are through the slot. Do not fully tighten the nuts at this time.



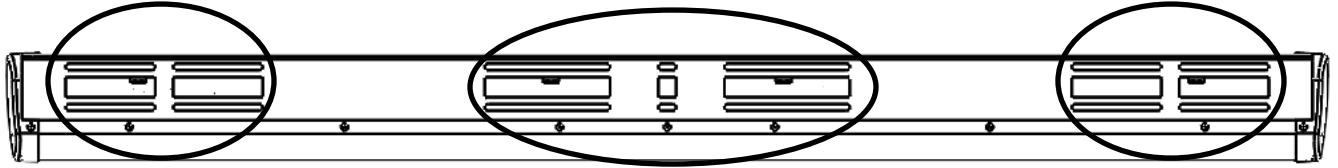
8b

This step is for installing NXt Running Boards ONLY. Go to 9a for Step Tubes.

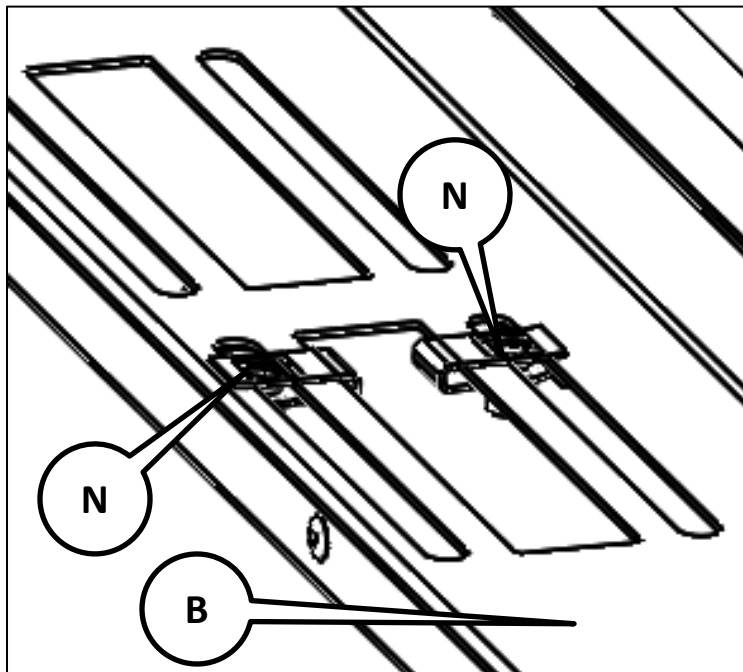
Adjust the board as necessary front to back. Once the board is in the desired location front to back, tighten the nuts (I) that connect the board to braces. Then tighten all hardware and repeat on the passenger's side.

9a This step is for installing 6" Oval Step Tubes ONLY. Go to 8a for NXt Running Boards.

Set the tube (B) on the brackets and adjust as necessary front to back. Look under the tube to determine which sets of slots will be used to attach the tube to the braces.



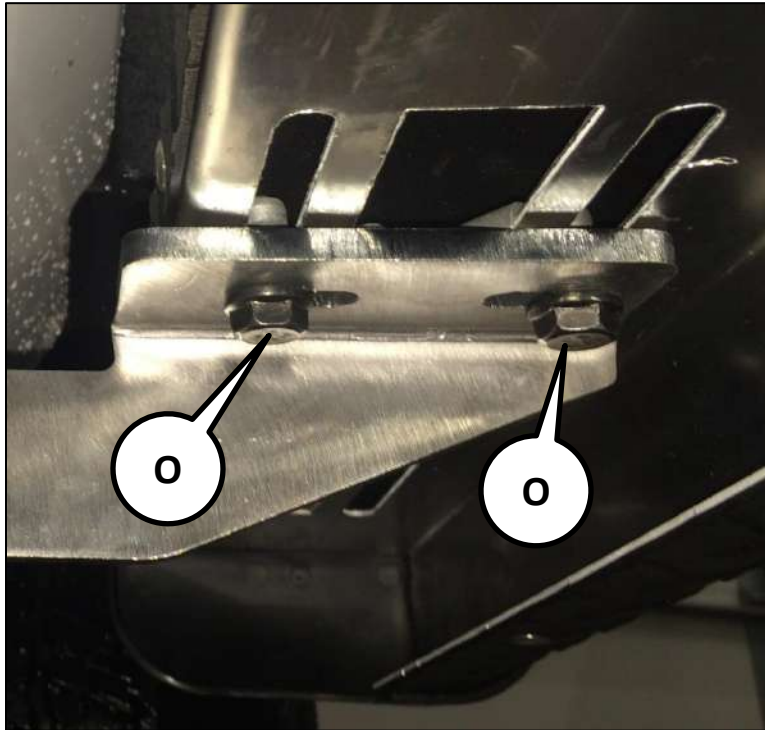
Remove the tube and install the U-nuts (N) that come with the Step Tubes into the slots identified above. Use 2 U-nuts per brace location.



9b

This step is for installing 6" Oval Step Tubes ONLY. Go to 8a for NXt Running Boards.

Attach the tube to the braces using bolts that come with the Step Tubes (O). Tighten bolts with a 13mm wrench or socket.



Once the tube is in the desired location, tighten hardware that connects the braces to the vehicle. Fully tighten all hardware at this time and repeat on the passenger's side.