



Thank you for choosing Dee Zee to add function and accessorize your vehicle. Dee Zee has been a staple brand in the truck accessory market since 1977 and we hold a reputation of quality manufacturing based in America's Heartland. Our products are born through careful engineering and backed by industry leading warranty programs. We appreciate the opportunity to serve you and your vehicle!

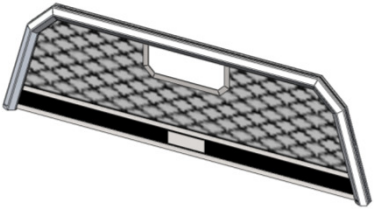
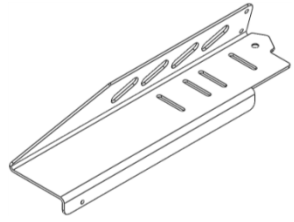
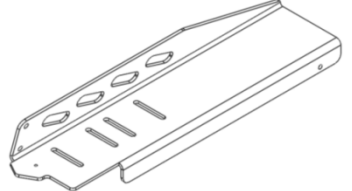
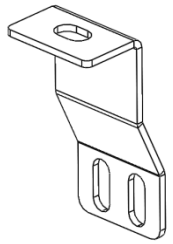
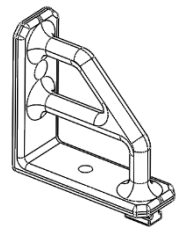
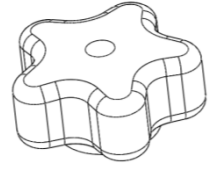
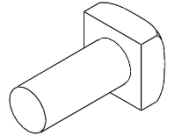
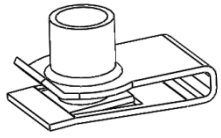
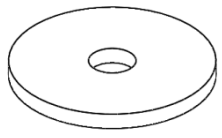
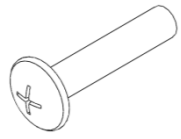
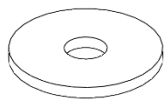
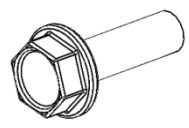
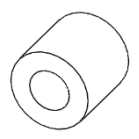
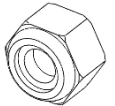
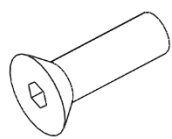
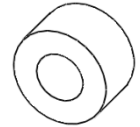
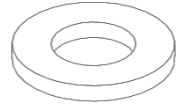
Review the instruction pages in their entirety to prepare the required tools

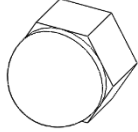

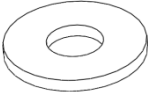
Note: This product is an appearance accessory and should not be relied upon as protection for the vehicle occupants in the event of an accident. Buyer assumes all risk, liability, and costs for vehicle impact operations.

Any modifications or unintended use of this product shall immediately void all manufacturers' warranties. Dee Zee, Inc. disclaims all liability for injuries to persons or property resulting from modifications or unintended use of this product.

Cleaning: To be entitled to all warranty rights offered with the product, Dee Zee liquid transfer tanks need to be cleaned regularly with a mild detergent. Do NOT use abrasive cleaners.

DZ 95071R Cab Rack Installation Instructions

<p>A Cab Rack</p>  <p>Varies X1</p>	<p>B Left Bolt-On Mount</p>  <p>Varies X1</p>	<p>C Right Bolt-On Mount</p>  <p>Varies X1</p>	
<p>D Mounting Brace</p>  <p>B 2450P X2</p>	<p>E Tie Down</p>  <p>TD95P X2</p>	<p>F Knob</p>  <p>WQ500-KNOB X2</p>	
<p>G Square Head Bolt</p>  <p>PN 524 X6</p>	<p>H 8mm Clip</p>  <p>PN 909 X4</p>	<p>I 5/16" Oversized Washer</p>  <div style="border: 1px solid black; padding: 2px; width: fit-content; margin: 5px auto;">1 1/2" OUTSIDE DIAMETER</div> <p>PN 620 X2</p>	
<p>J 1/4" Phillips Head Screw</p>  <p>PN 485 X2</p>	<p>K 1/4" Fender Washer</p>  <p>PN 265 X2</p>	<p>L 8mm Bolt</p>  <p>PN 525 X4</p>	<p>M 1/4" x 1/2" Nylon Spacer</p>  <p>PN 703 X2</p>
<p>N 1/4" Locknut</p>  <p>PN 341 X2</p>	<p>O 3/8-1.25" Flat Socket Bolt</p>  <p>PN 353 X2</p>	<p>P 7/16" x 1/2" Nylon Spacer</p>  <p>PN 1060 X2</p>	<p>Q 5/16" SAE Washer</p>  <div style="border: 1px solid black; padding: 2px; width: fit-content; margin: 5px auto;">3/4" OUTSIDE DIAMETER</div> <p>PN 339 X4</p>

<p>R M8 Acorn Cap Nut</p>  <p>PN 1038 X4</p>	<p>S Adhesive Pad</p>  <p>FGT 12 X2</p>	<p>T 5/16" USS Washer</p>  <p>1" OUTSIDE DIAMETER</p> <p>PN 325B X2</p>	
--	---	--	--

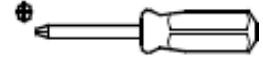
Tools Required

Allen Wrench

4mm
5mm
7/32"



Phillips Head
Screwdriver

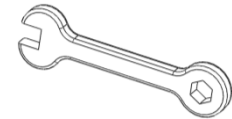


Drill

1/4" Drill Bit



**Ratchet and Socket
or Wrench**
13mm

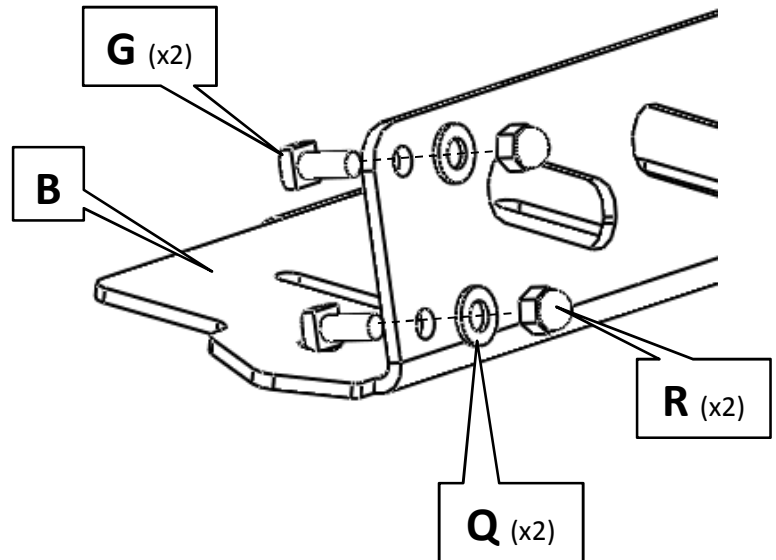


1 Driver Side – Brace Mount

Install Hardware **(G)** Square Head Bolt, **(Q)** 5/16" Washer, and **(R)** M8 Acorn Nut onto the **(B)** Left Bolt-On Mount as shown. Leave hardware loose.

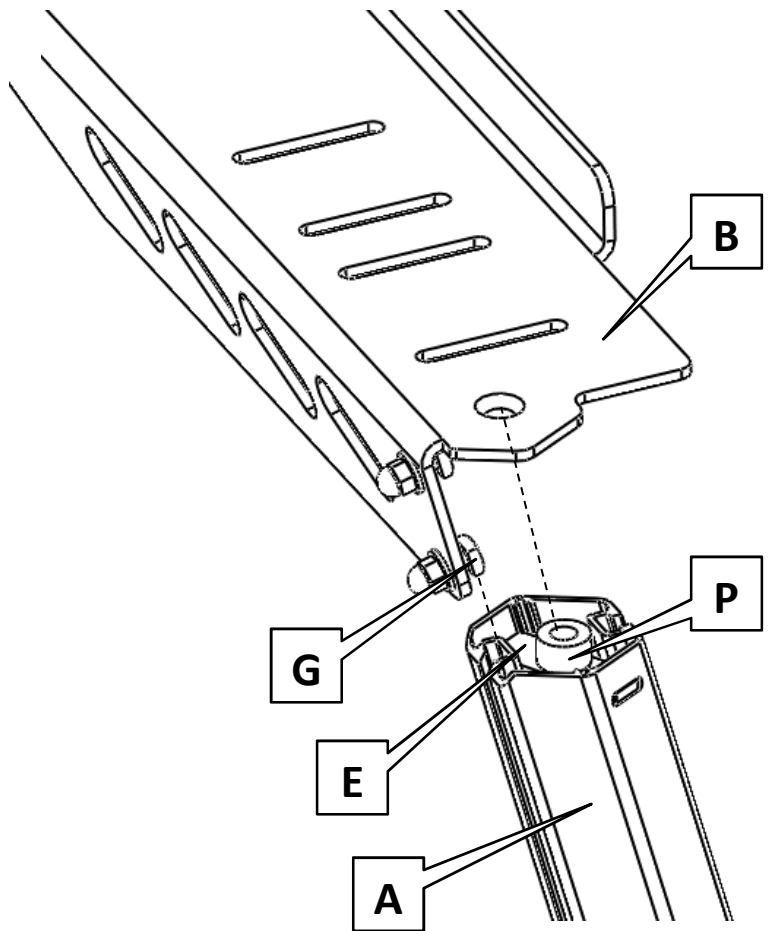
* **Passenger side** follows same steps as in Driver side installation.*

Brackets Needed: **C**

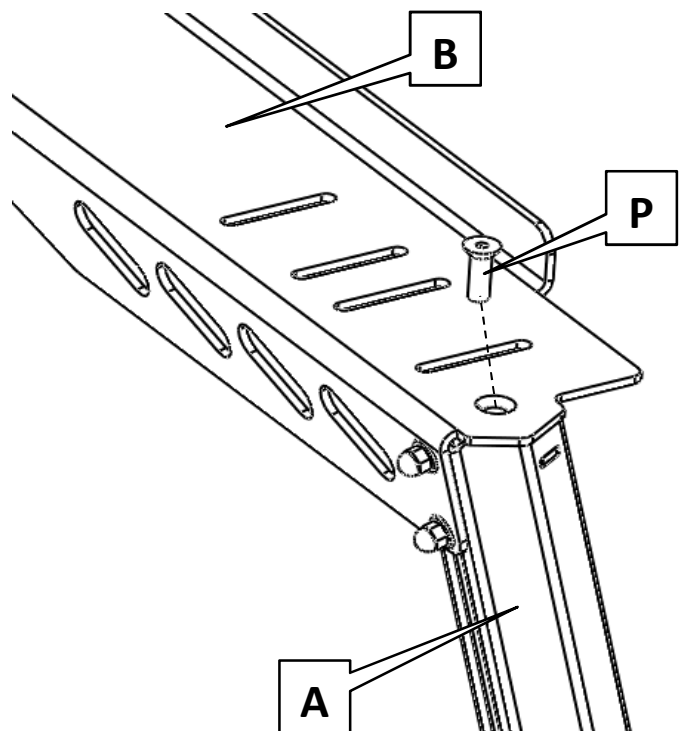


2 Driver Side – Brace Mount

Align **(G)** Square Head Bolt with the channel in **(A)** Cab Rack frame upright tube. Slide **(B)** Left Bolt-On Brace with hardware down channel until flush with bottom of **(A)** Cab Rack frame upright tube.



Align **(P)** 3/8-1.25" Flat Socket Bolt with the countersunk hole in **(B)** Left Bolt-On Brace ensuring **(P)** 7/16" x 1/2" Nylon Spacer stays in place on top of the Threaded Plate. Tighten Hardware.



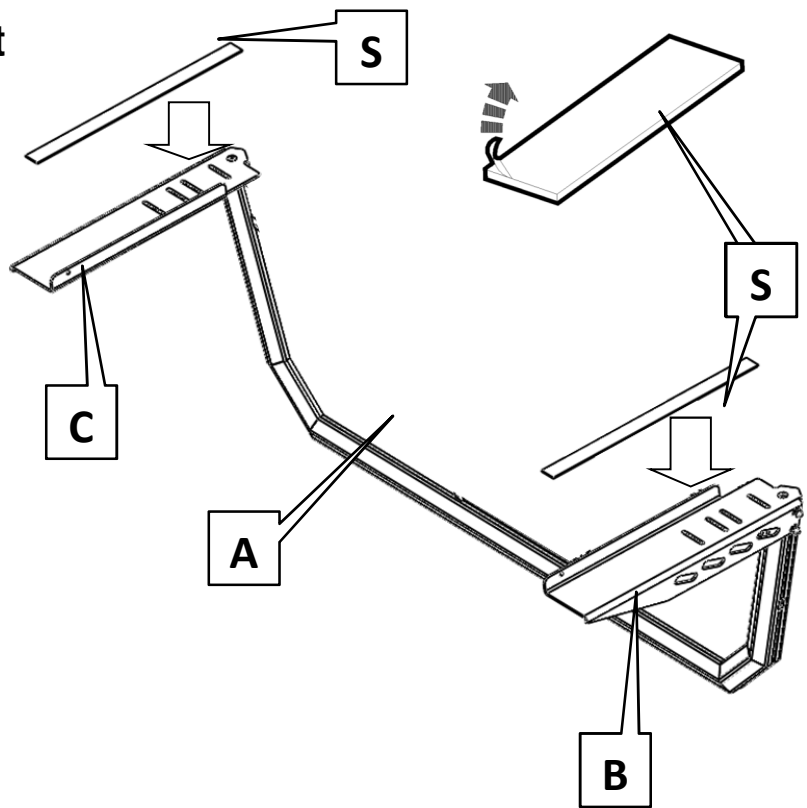
* Tighten All Hardware *

* Passenger side follows same steps as in Driver side installation.*

Brackets Needed: C

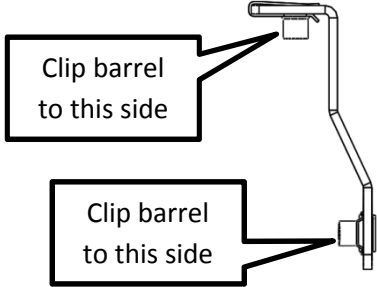
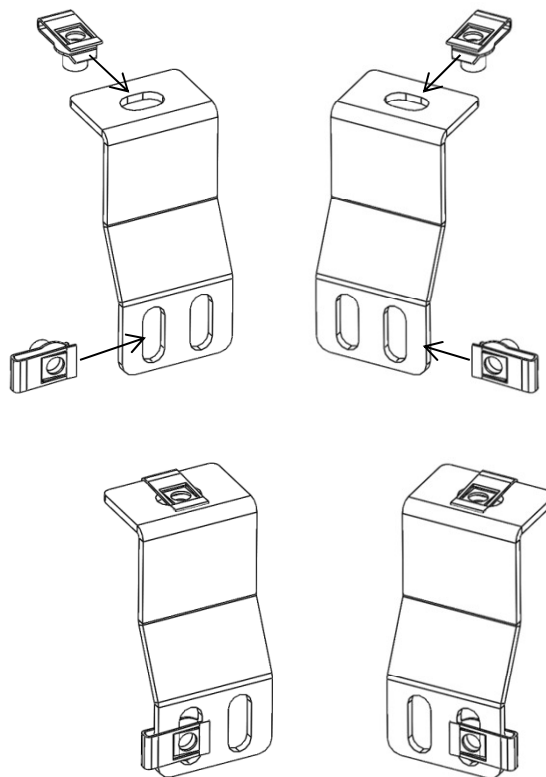
3 Driver Side – Brace Mount

Peel backing off of (S)
Adhesive Foam Pad and
place on the bottom of each
(B) and (C).



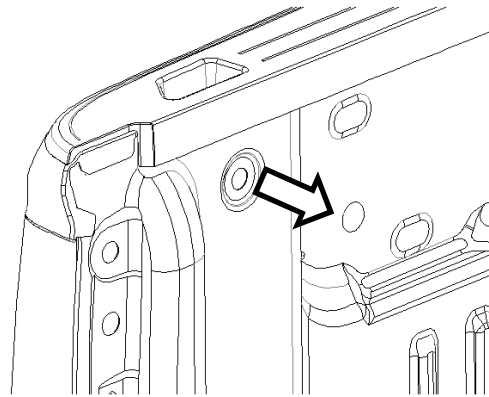
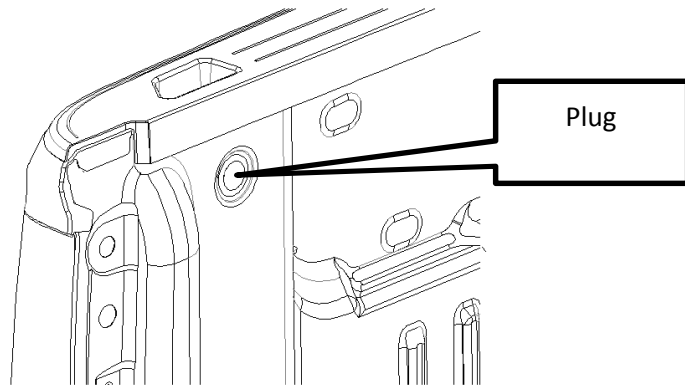
4 Cab Rack Installation

Install two 8mm Clips (H) onto
each Mounting Brace (D). One
brace using the bottom left
slot, and the other using the
bottom right slot. Be sure the
clips are installed as shown.



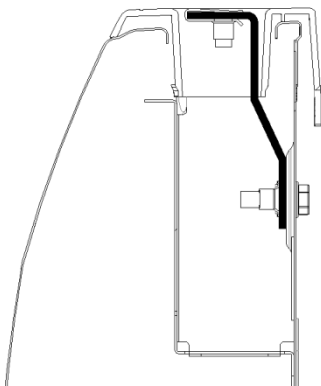
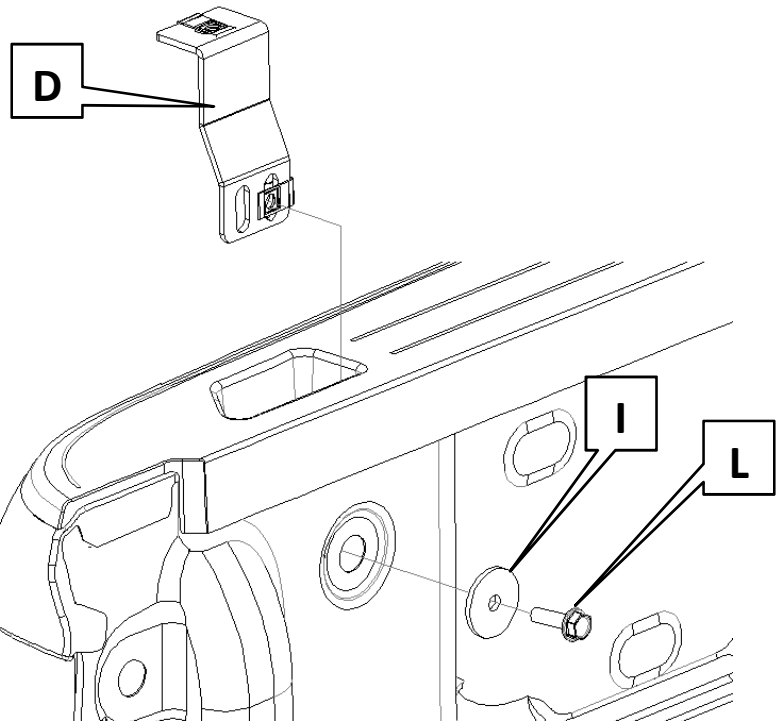
5 Cab Rack Installation

Locate and remove the plugs on the inside of the bed just below the rear stake pockets. The plugs will not be re-installed.



6

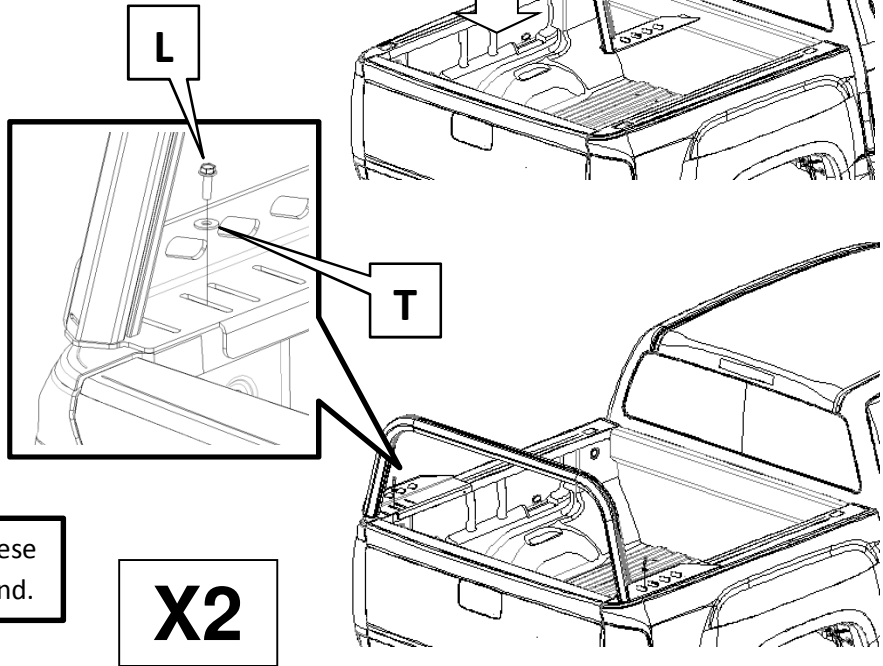
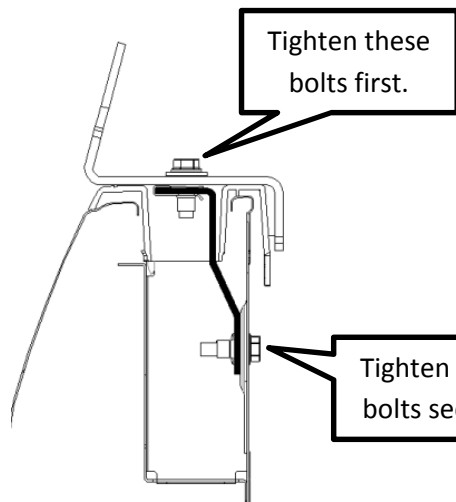
Insert brace (D) with the clips installed as shown in the rear driver's side stake pocket. Attach using the oversized washer (I) and 8mm Bolt (L). Snug the bolt, but do NOT completely tighten. Repeat this step on the passenger side using the other brace (D).



PS DZ 95071R

7 Cab Rack Installation

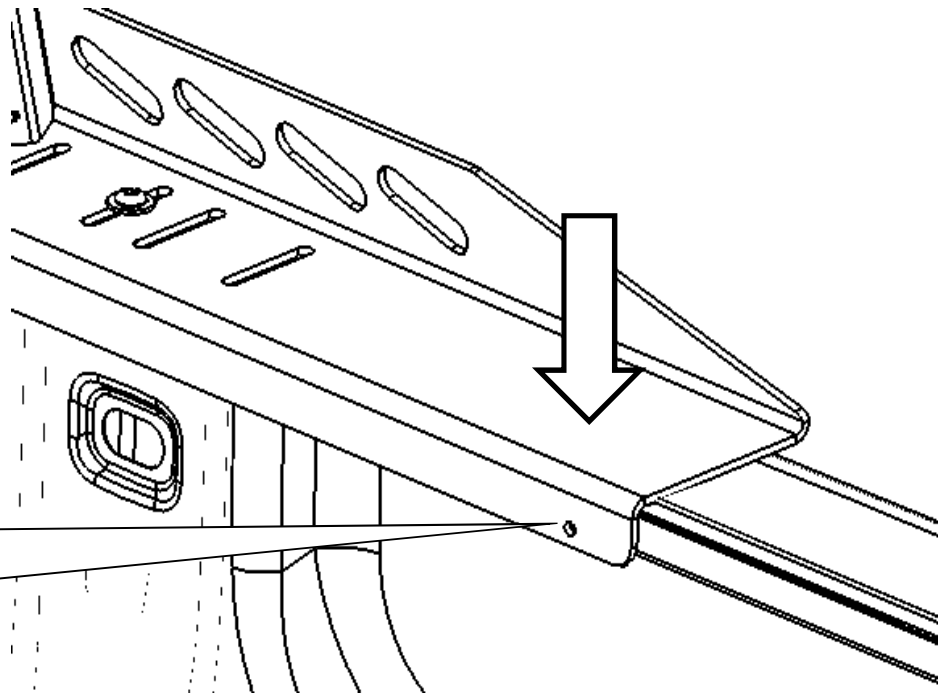
Place the assembled cab rack onto the bed of the truck. Align the cab rack to the vehicle and attach it to the braces using the 5/16" USS Washers (T) and 8mm Bolts (L).



8

Press down on the cab rack brace and mark the hole on the inside vertical lip of the truck bed and drill using 1/4" drill bit

X2

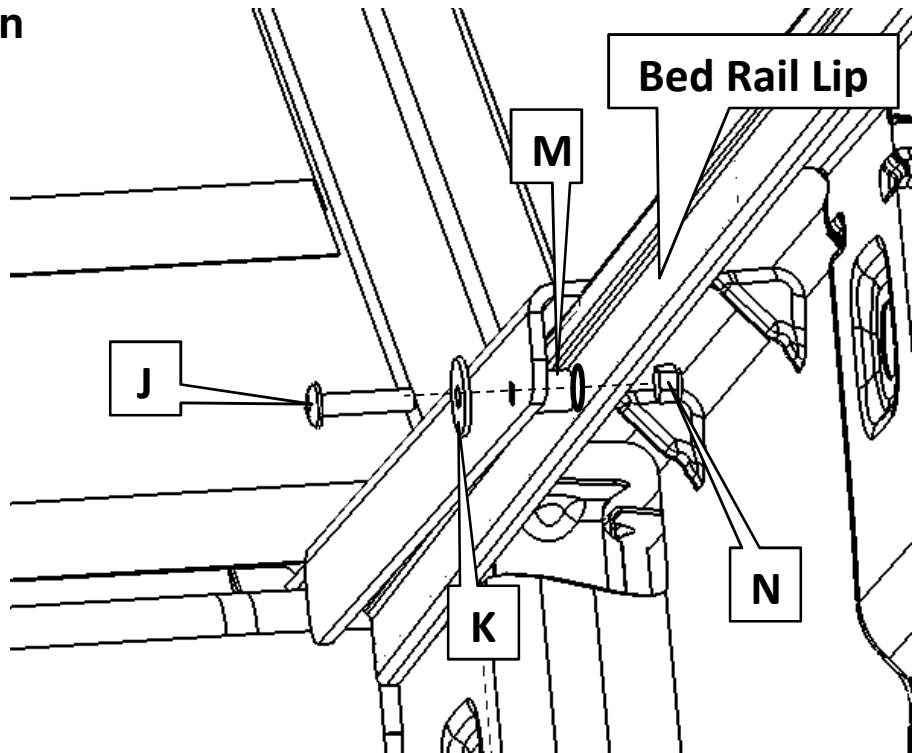


9

Cab Rack Installation

Install hardware as shown in the drilled hole on the inside vertical lip of the truck bed and the Bolt-On Mounting Bracket.

The spacer (**M**) may not be necessary. The spacers are included to account for variation in the bed width.

**X2****10**

Tie Down Installation

Optionally, to Install (**H**) Tie Downs use hardware as shown in the milled slots of the Cab Rack Tube Frame

